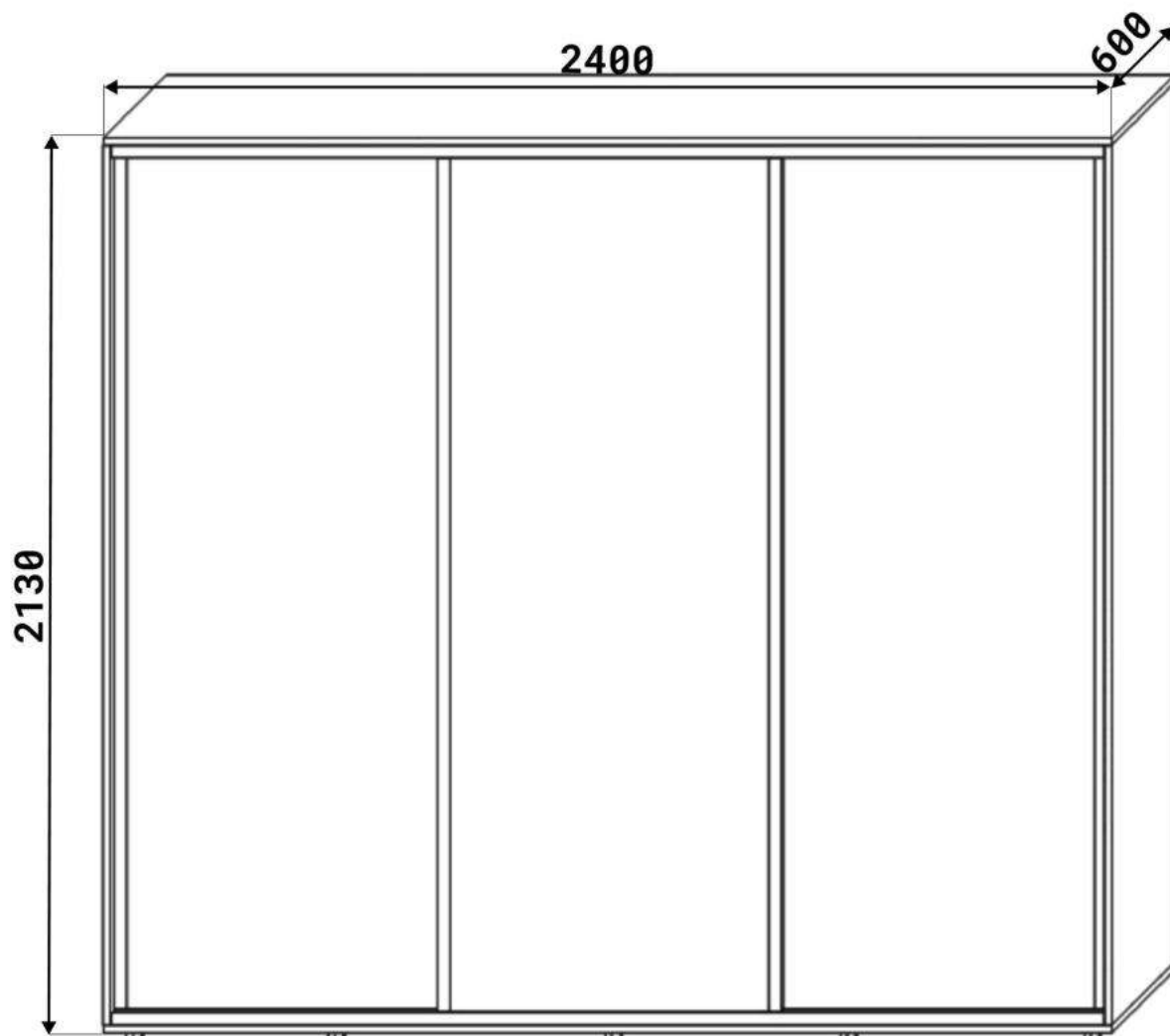


# DULAP CUPE

## 2400mm



Adrese:  
Prospectul Republicii, 33  
Cahul, Moldova

str. Petricani 17/4  
Chisinau, Moldova

MD-3909

[serviceclient@fabrikhome.md](mailto:serviceclient@fabrikhome.md)  
[www.fabrikhome.md](http://www.fabrikhome.md)

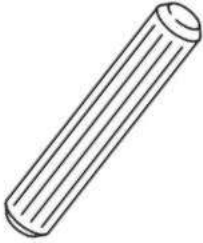
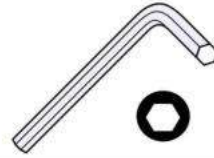
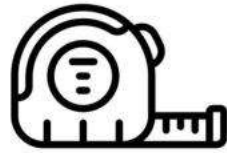
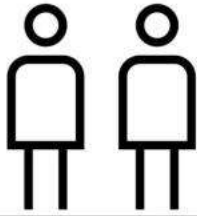
Serviciu clienti:  
+373 299 32 277  
+373 799 07 807

Control calitate:  
+373 798 82 000



**Fabrik Home**

Mobila. Decor. Opinia.  
S.C. "Interstepcom" S.R.L.



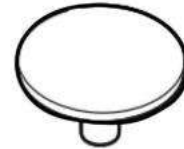
A x60



B x56



C x56



D x56



E x10

3.5\*16mm



F x66

3.5\*30mm



G x16

6.3\*50mm



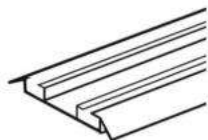
H x32



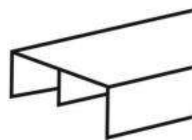
J x2



K x1



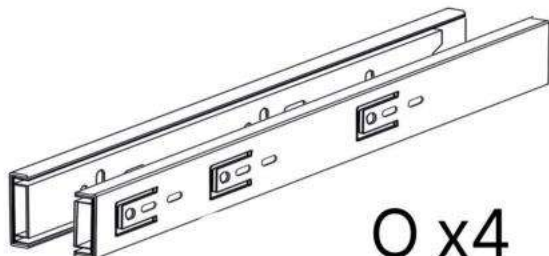
L x1



M x1



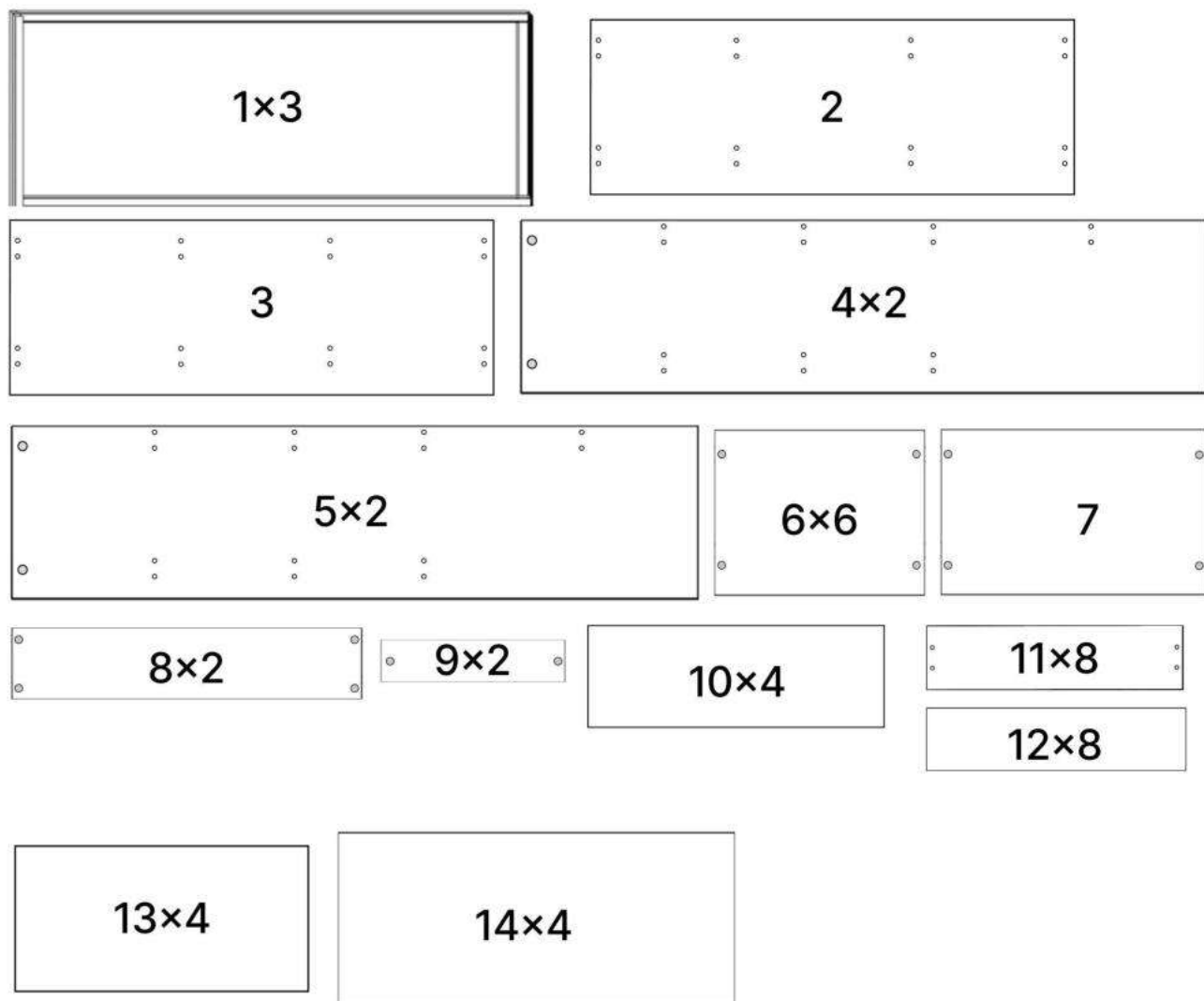
N x45gr.



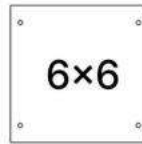
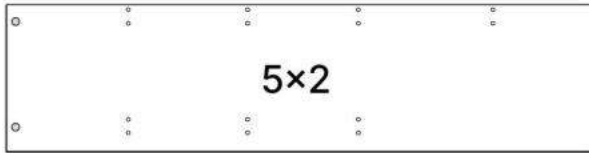
O x4



P x1



No	Denumire	Dimensiuni	Buc
1	Usile dulapului	2093x767	3
2	Placă superioară	2400x600	1
3	Placa inferioara	2400x600	1
4	Perete lateral	2094x600	2
5	Placă intermediară	2094x500	2
6	Poliță fixă	450x480	6
7	Poliță fixă (mare)	1428x500	1
8	Placă corp	1428x200	2
9	Placă sub sertar	450x100	2
10	Fața sertar	446x176	4
11	Placa sertar	450x120	8
12	Placa sertar	388x120	8
13	Spate sertar (PFL)	448x422	4
14	Spate corp (PFL)	2128x598	4



A x26

B x32

C x26

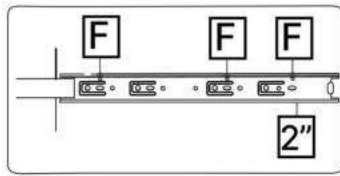
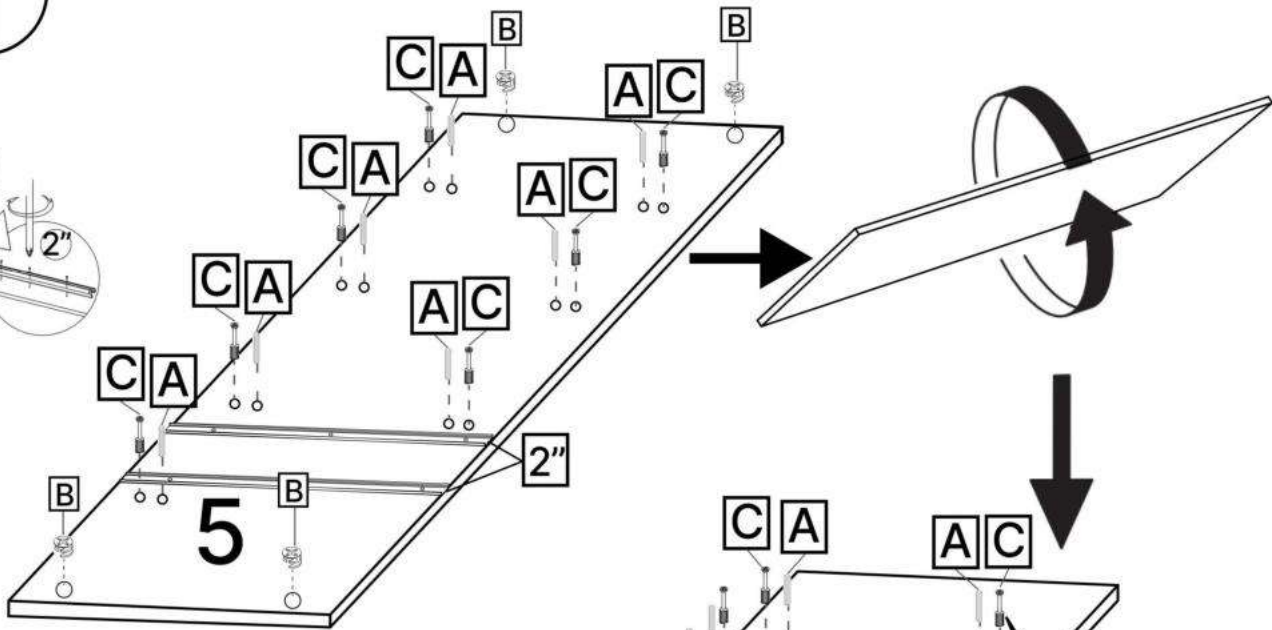
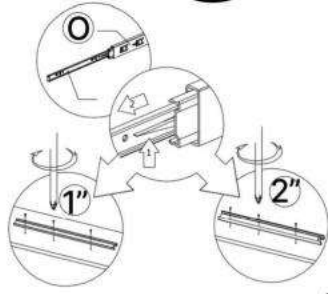
3.5\*16mm



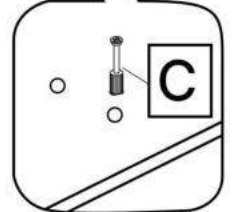
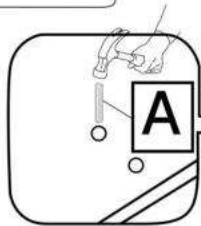
F x12

O x4

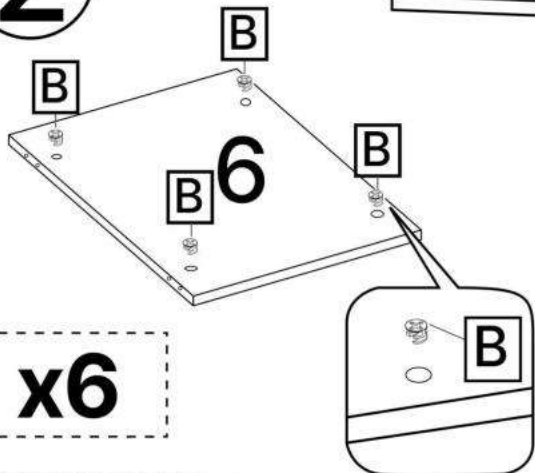
1



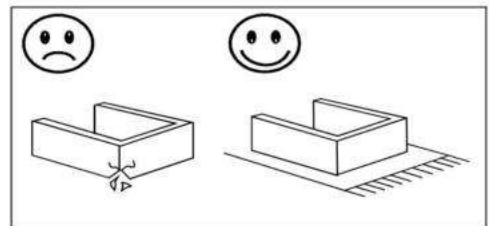
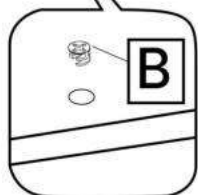
x2

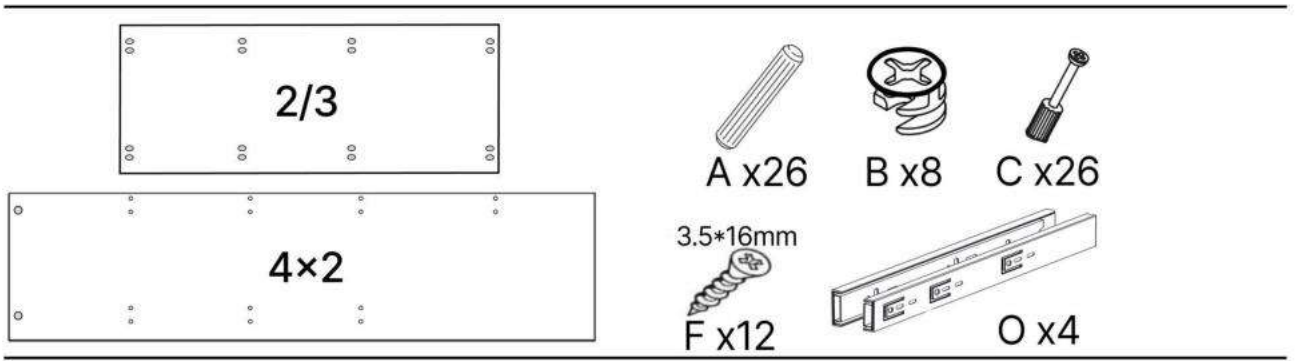


2

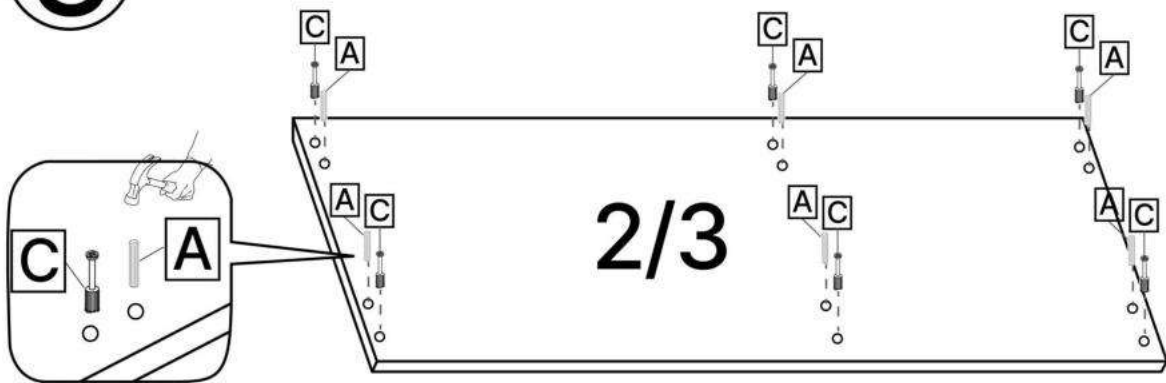


x6



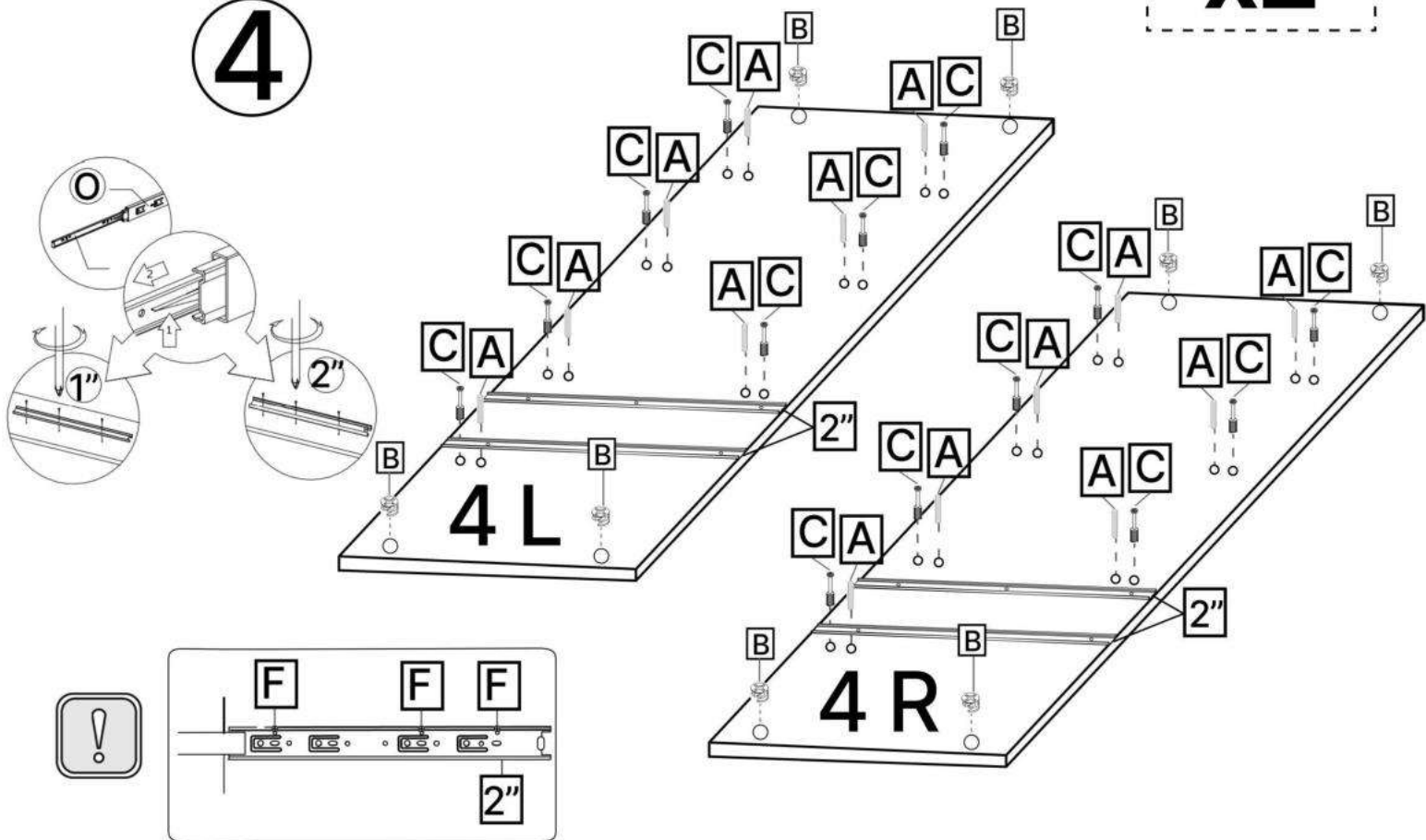


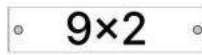
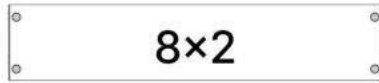
**3**



**x2**

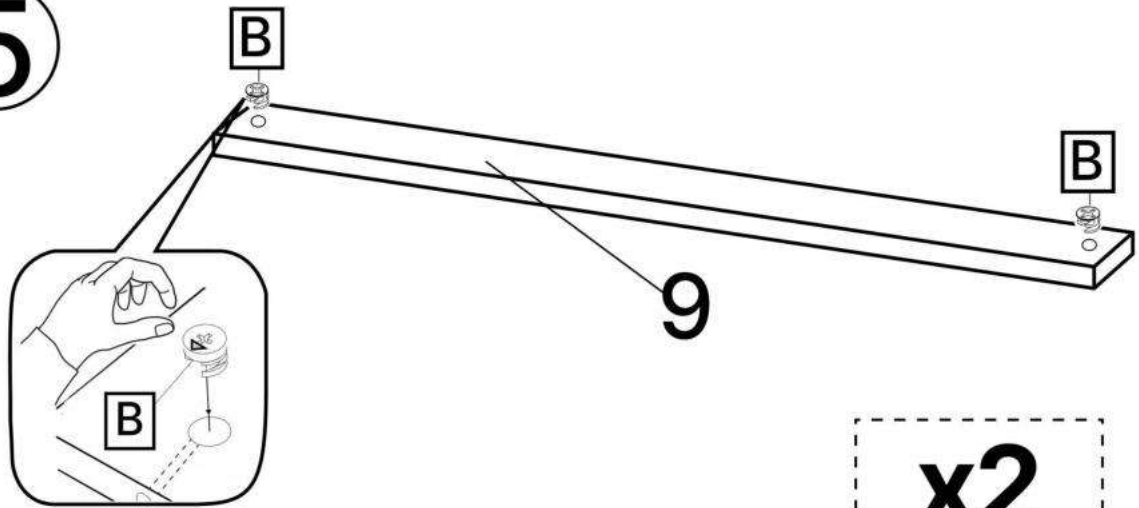
**4**



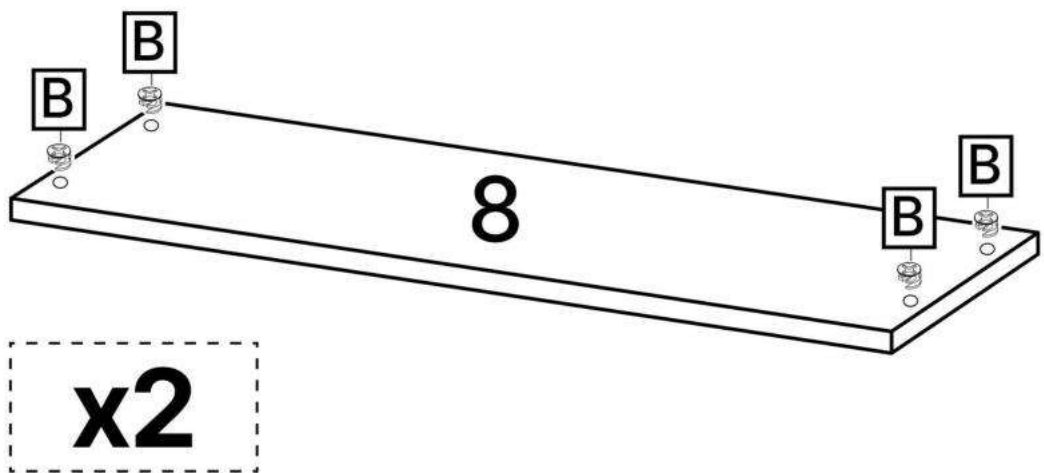


B x14

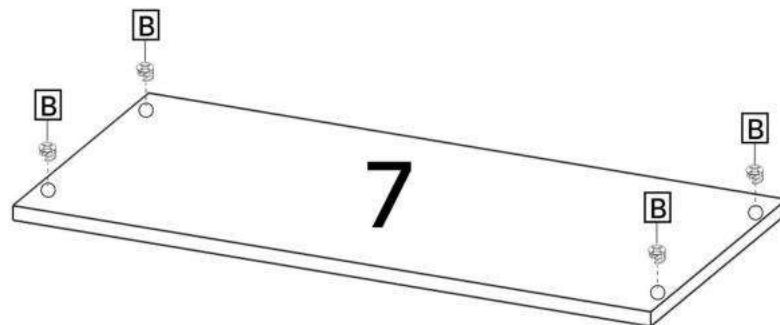
5



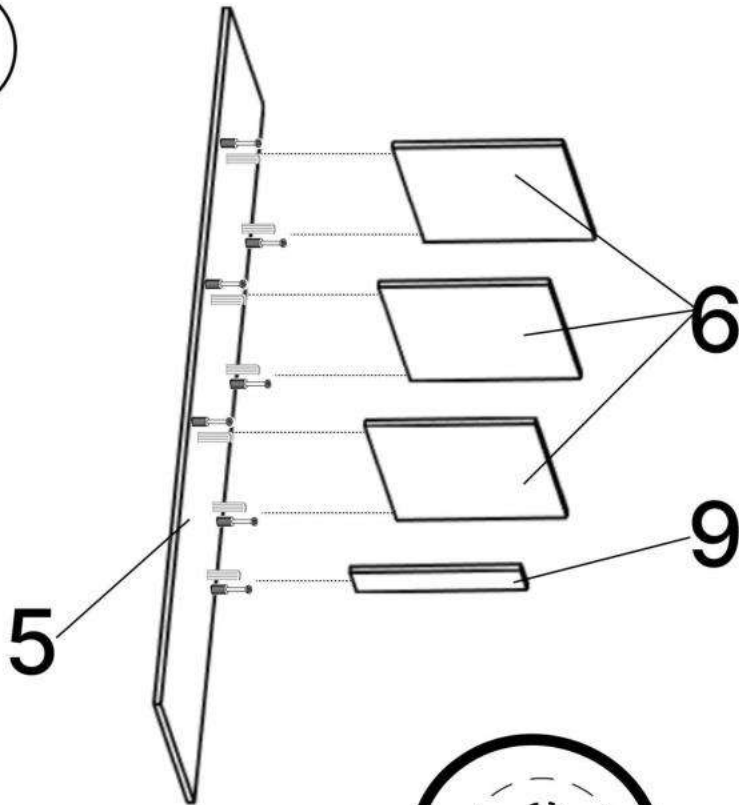
6



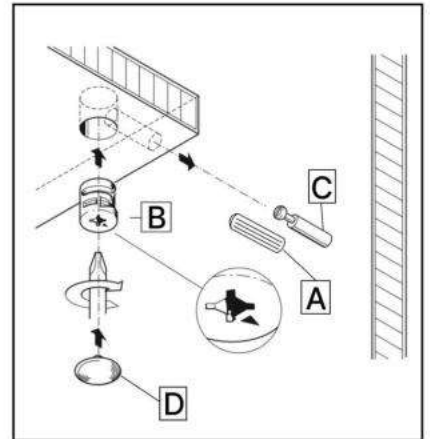
7



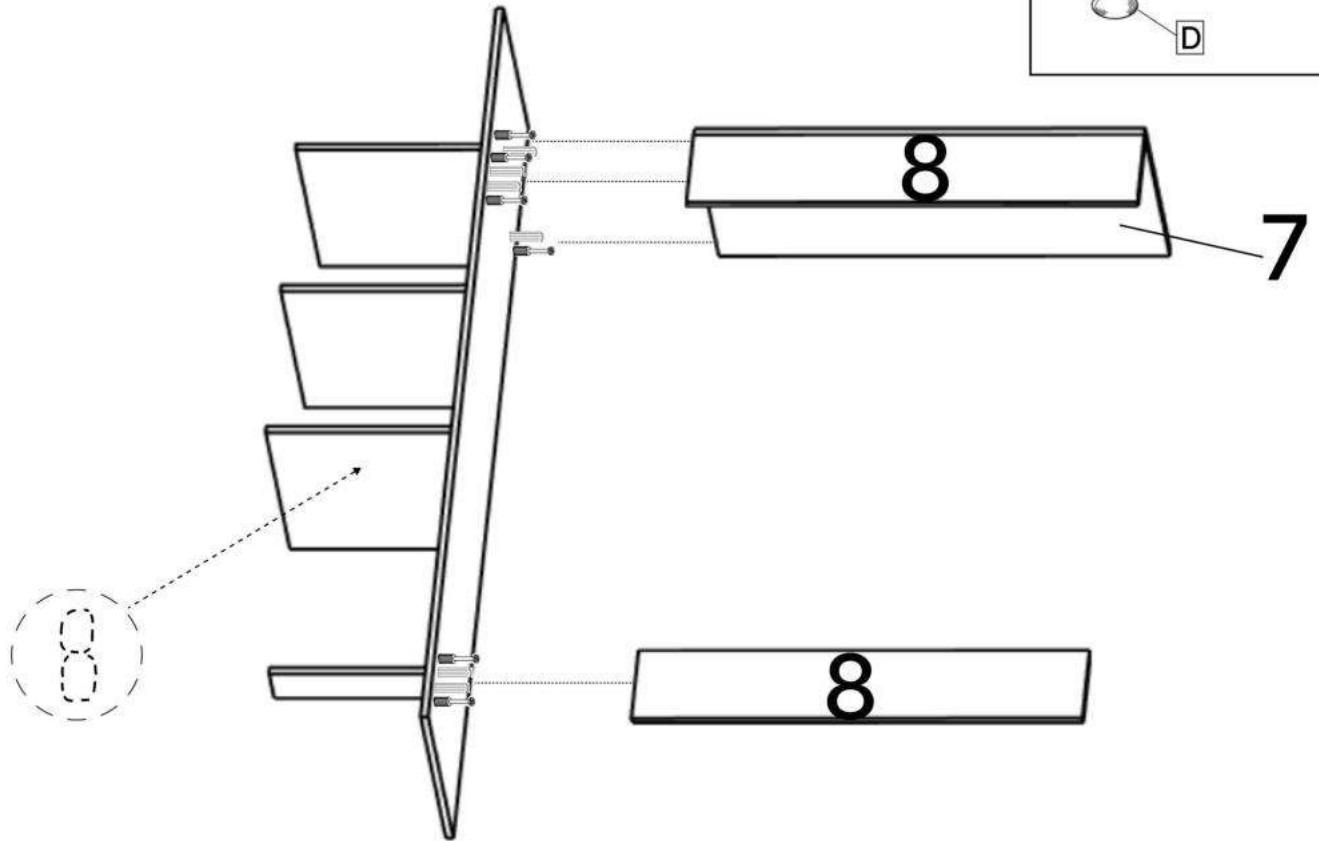
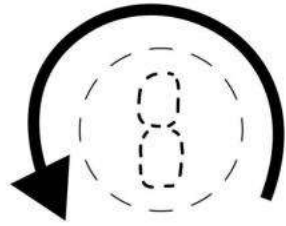
8

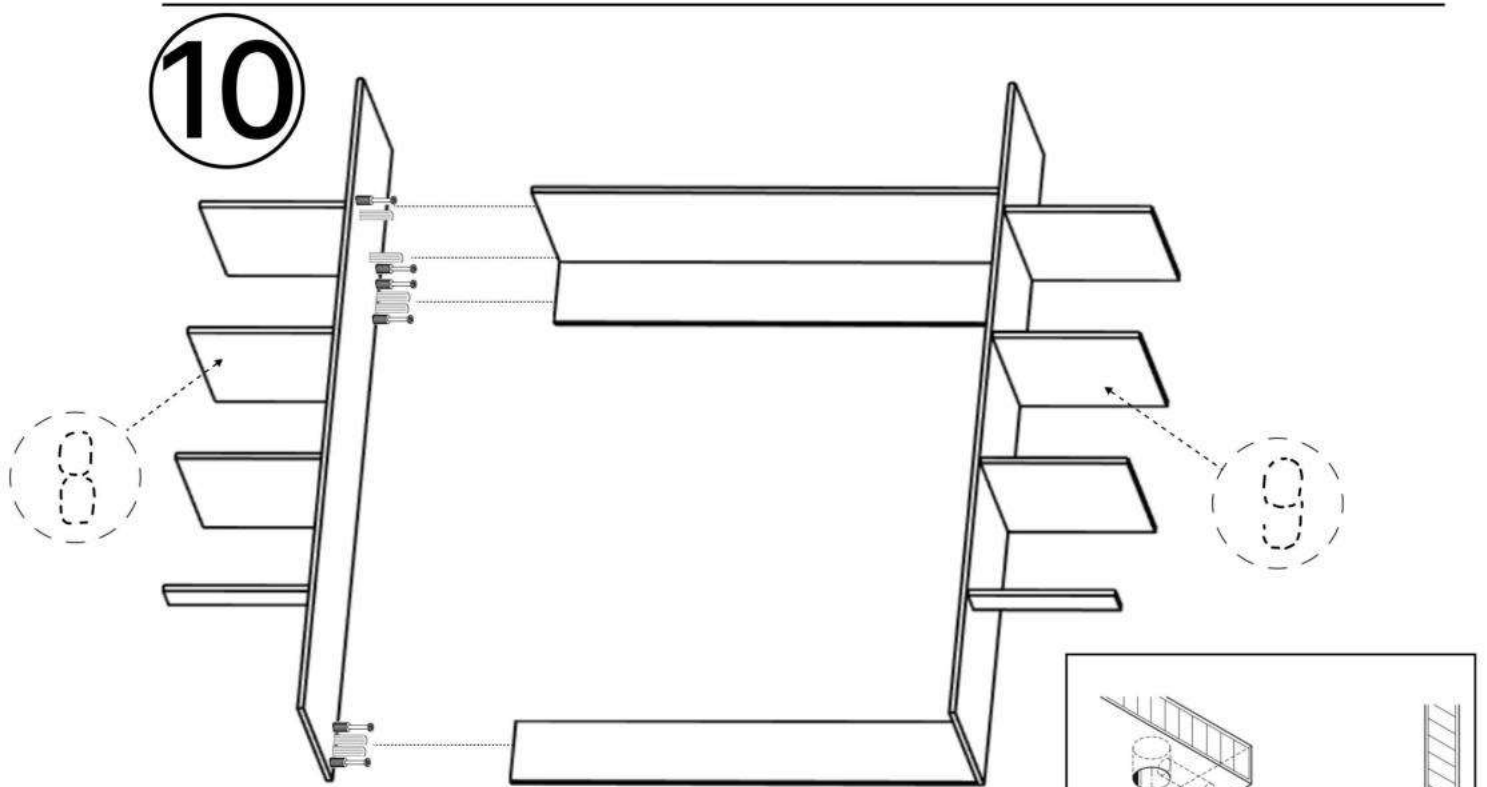


x2

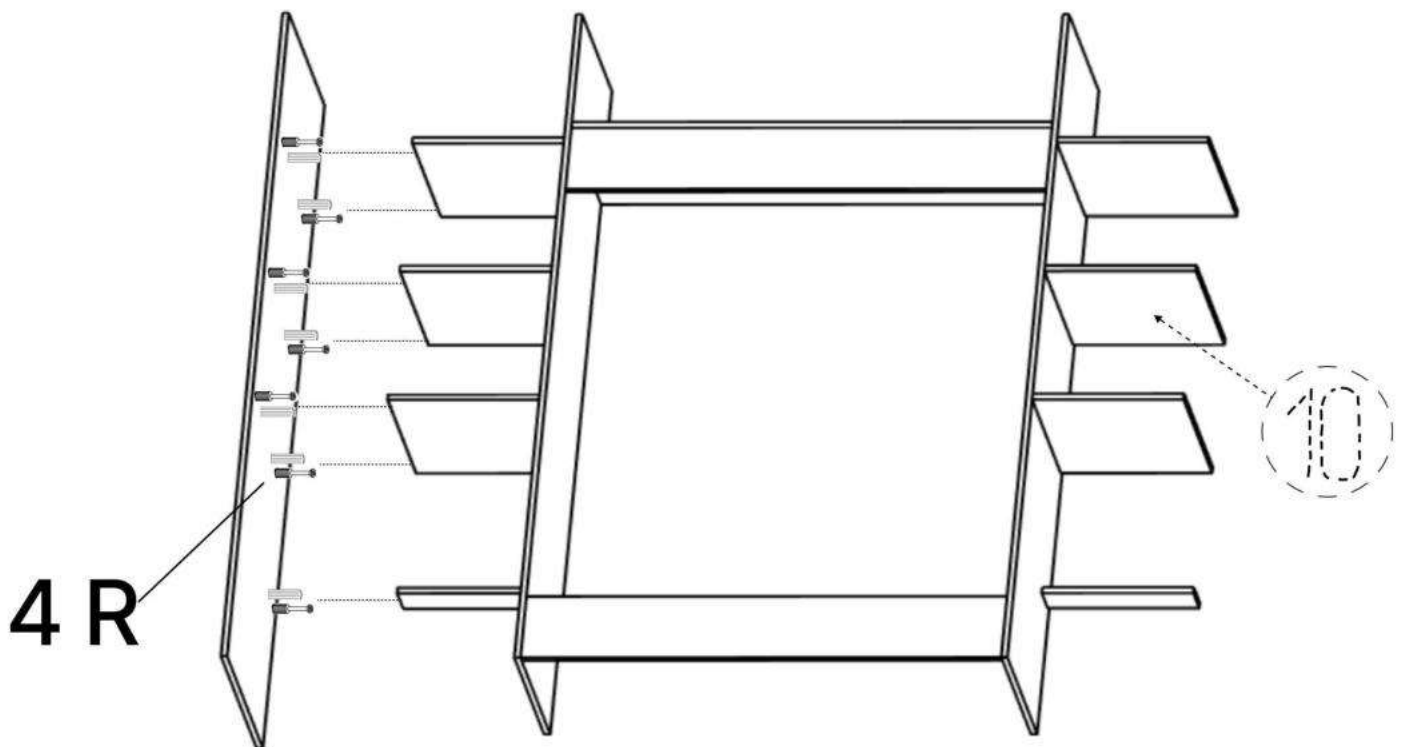
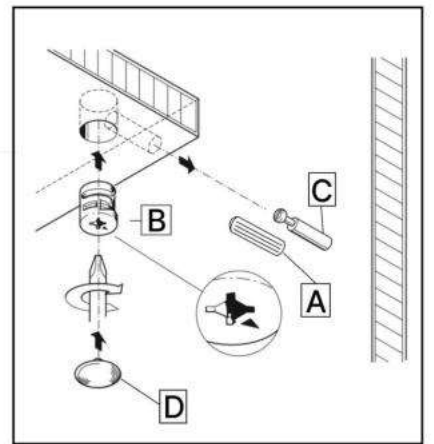
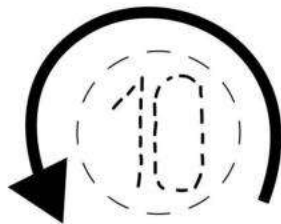


9

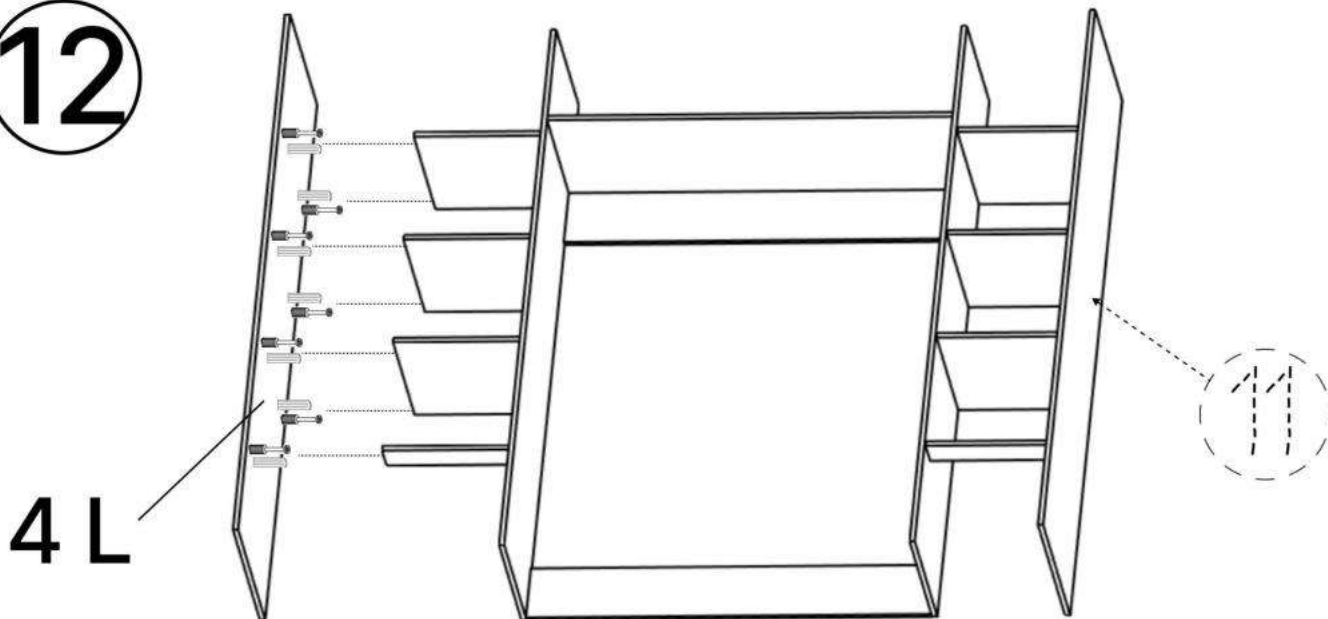




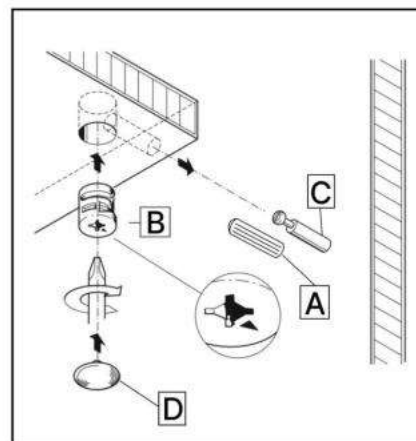
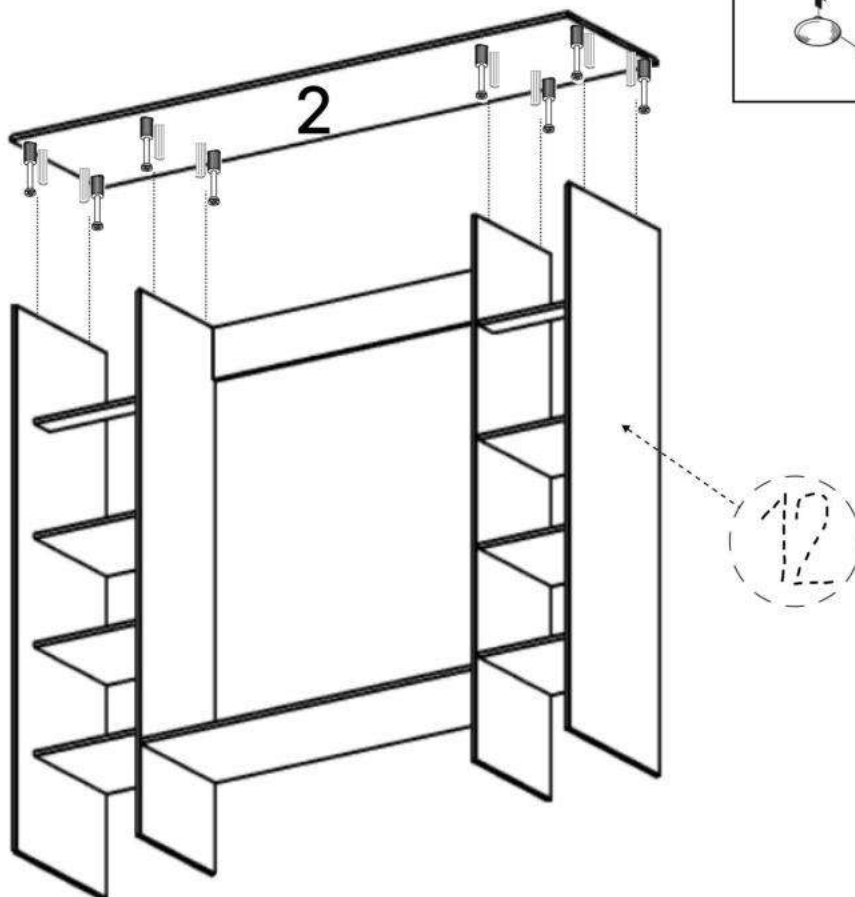
**11**



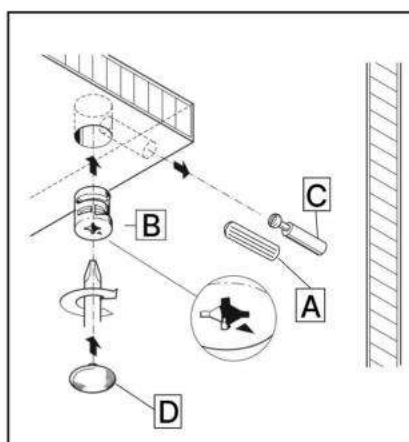
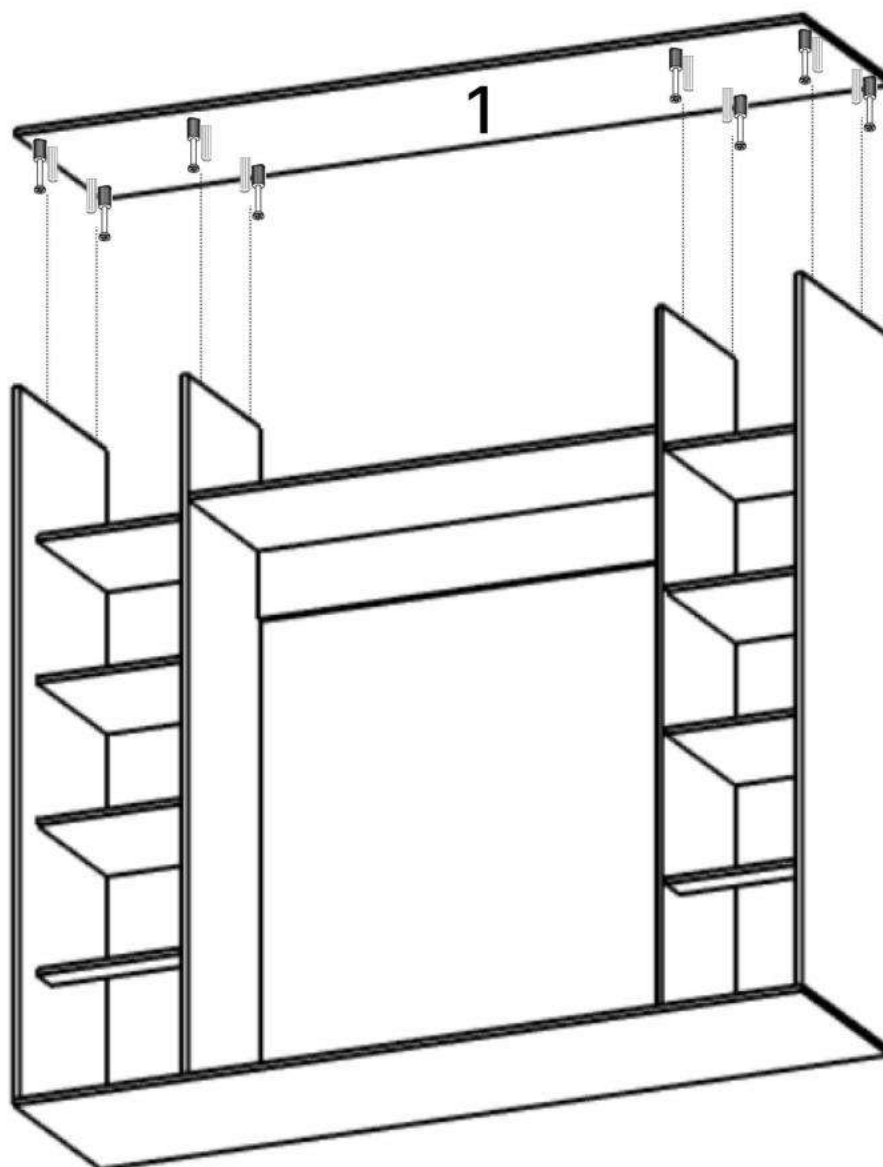
12



13



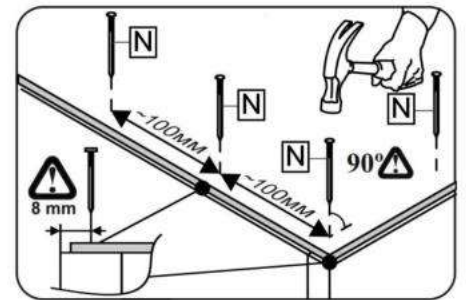
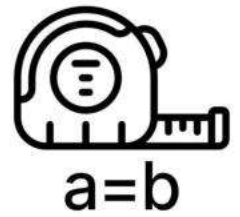
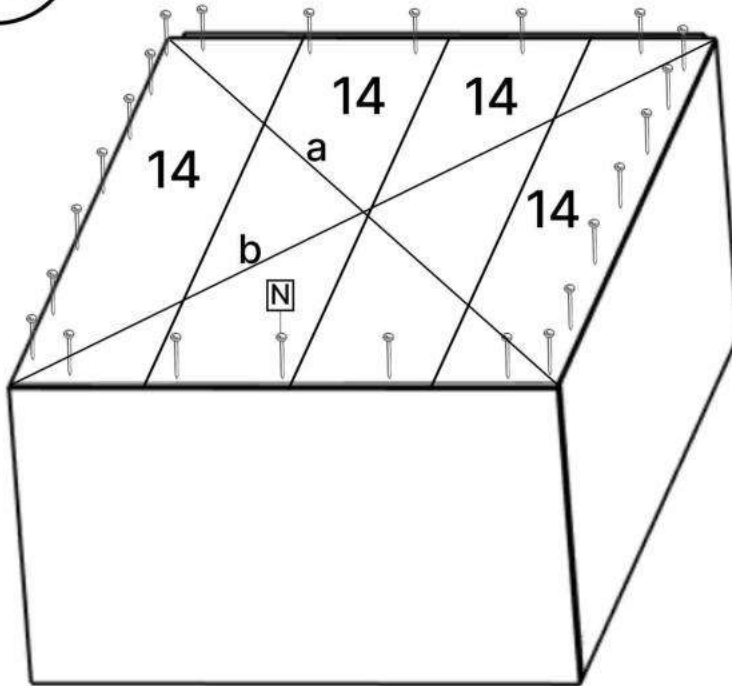
14



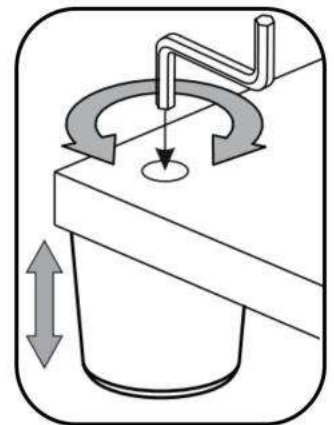
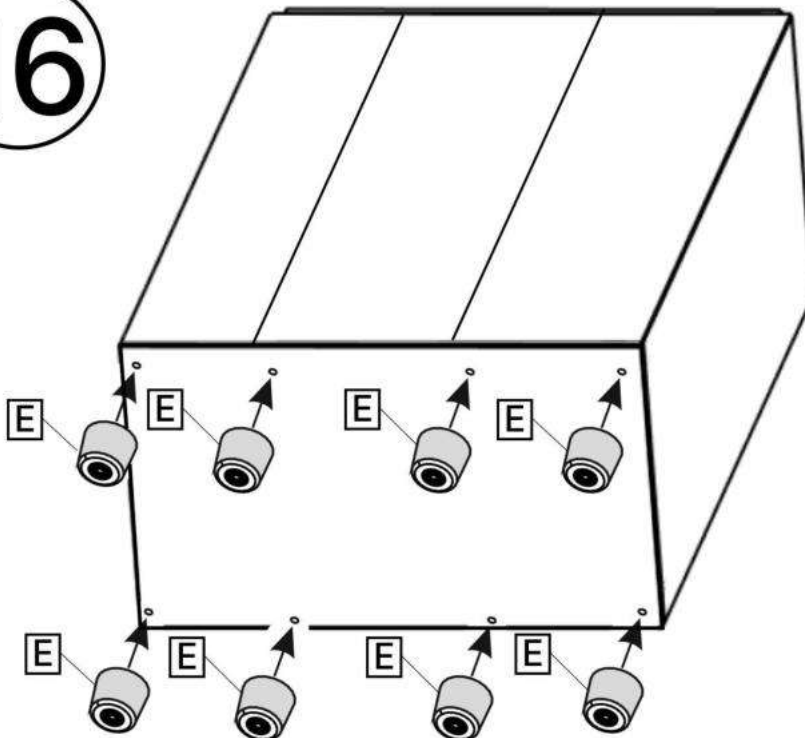
14x4

N x10gr. E x10

15



16





J x2



K x1

3.5\*16mm

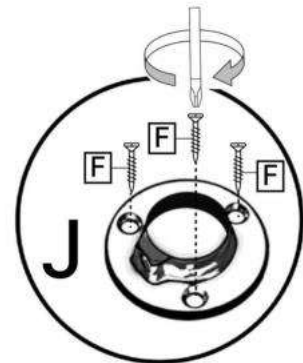
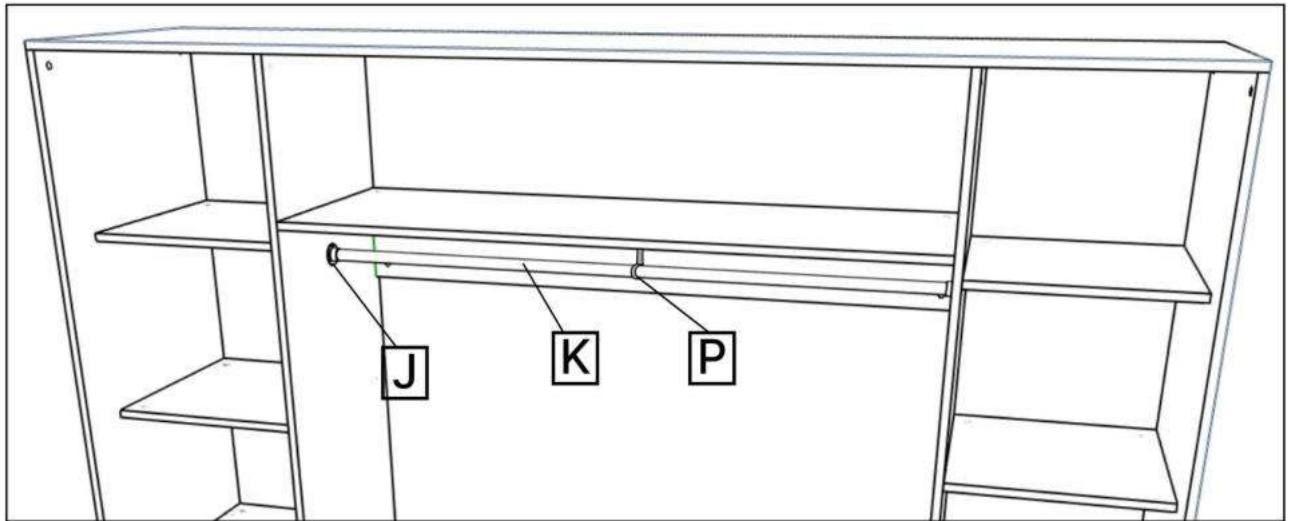


F x8



P x1

17



12x4

13x2

11x4



A x8

6.3\*50mm

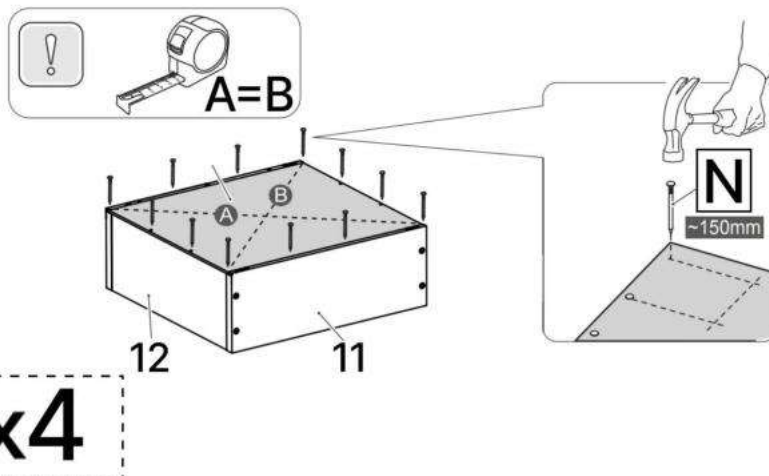
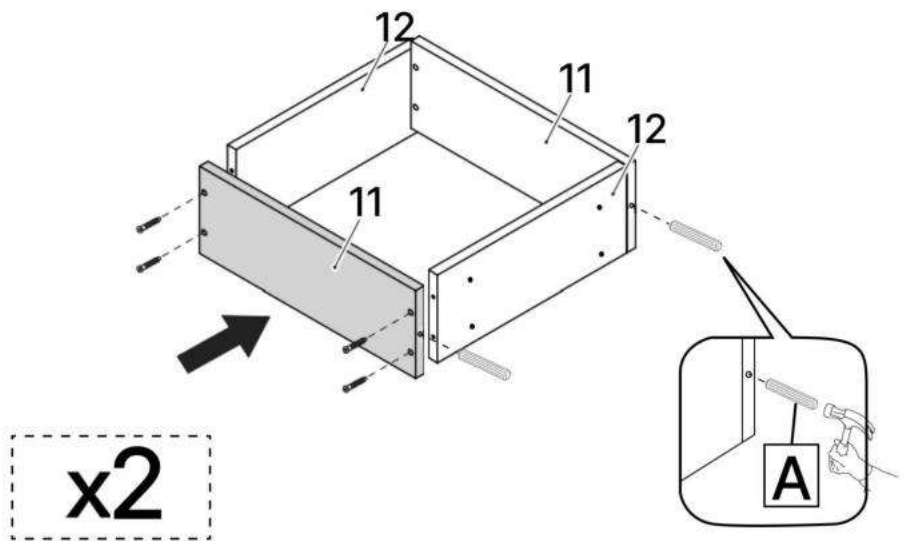
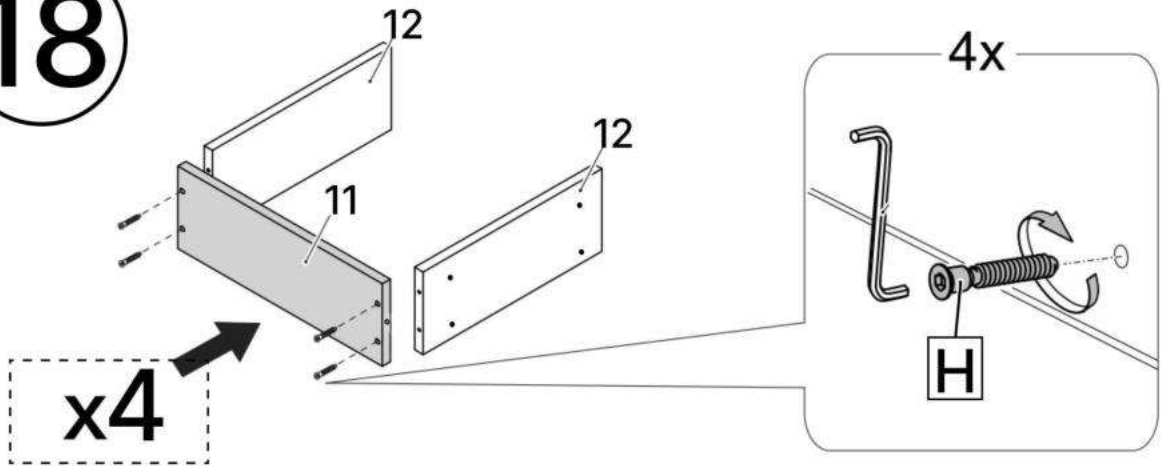


H x32



N x10gr.

18



10x2

3.5\*16mm

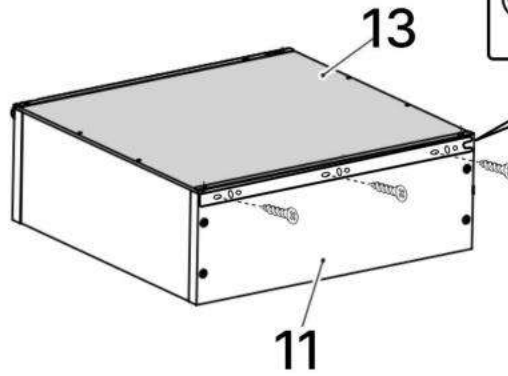
3.5\*30mm



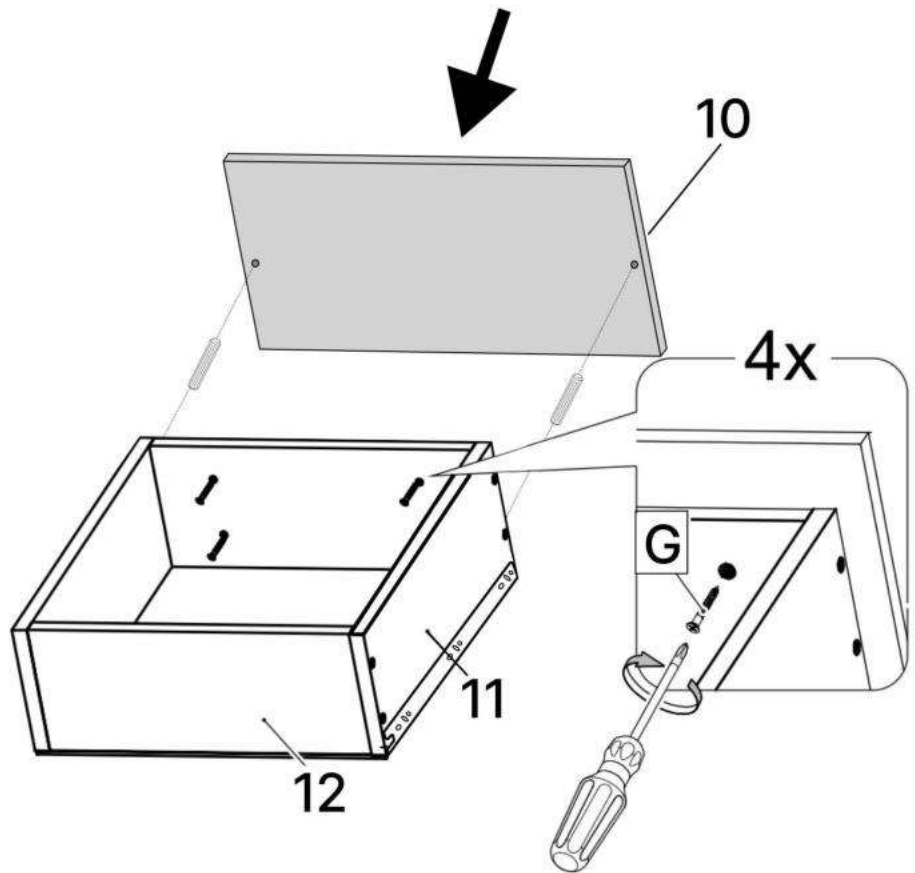
F x24

G x16

19

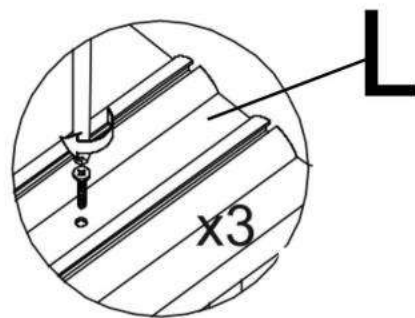
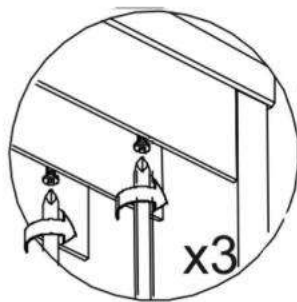
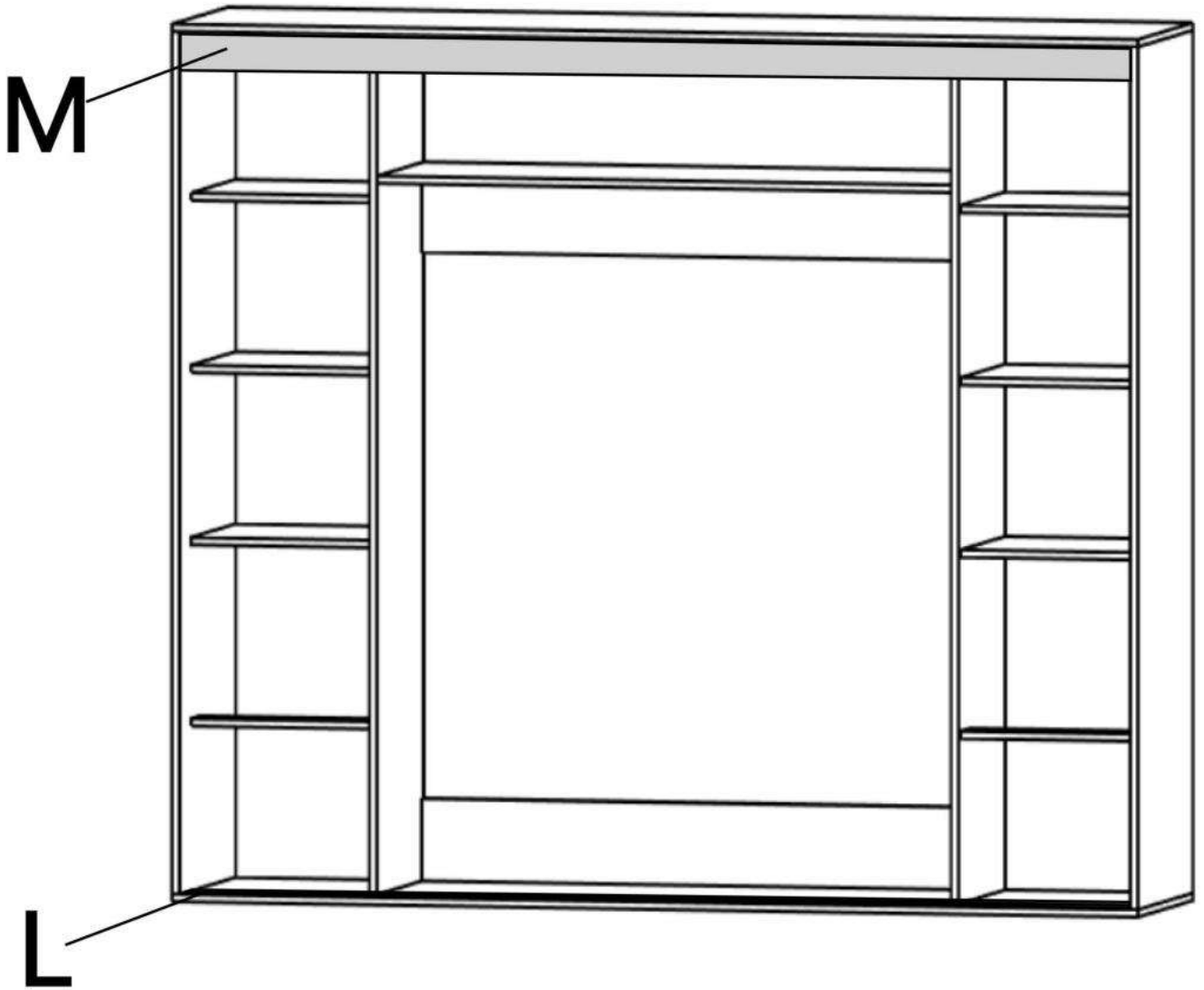


x4



x4

20



21

