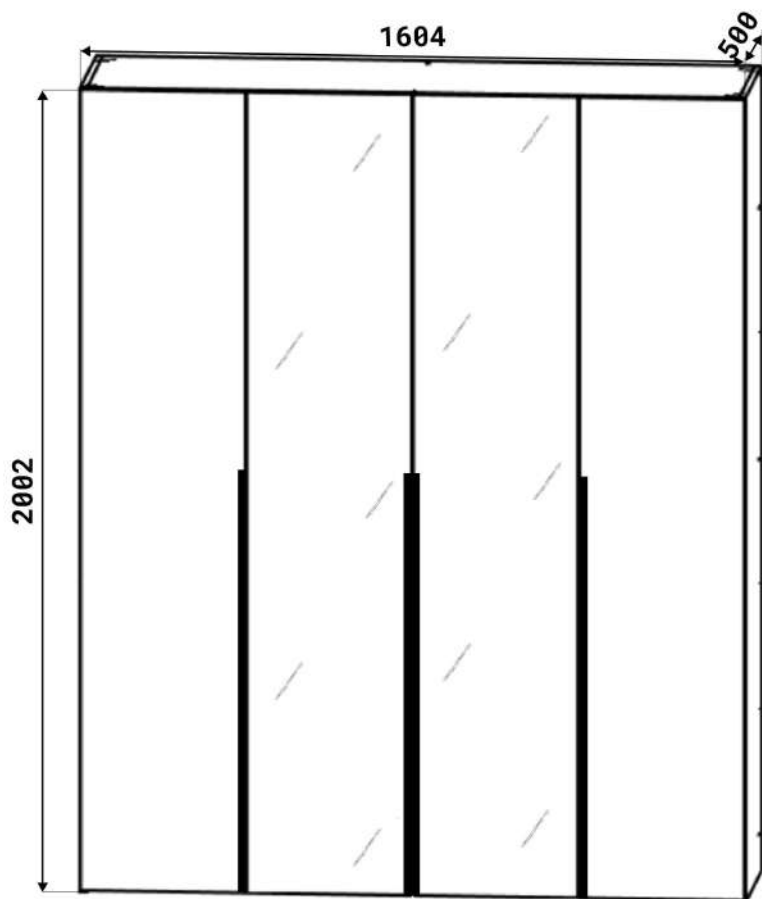


DULAP "Linia"

1600mm cu oglinzi



Adrese:
Prospectul Republicii, 33
Cahul, Moldova

str. Petricani 17/4
Chisinau, Moldova

MD-3909

serviceclient@fabrikhome.md
www.fabrikhome.md

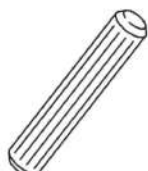
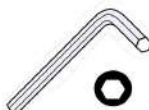
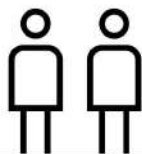
Serviciu clienti:
+373 299 32 277
+373 799 07 807

Control calitate:
+373 798 82 000



Fabrik Home

Mobila, Decor, Opinia.
S.C. "Interstepcom" S.R.L.



A x38



B x36



C x36



D x30



E x10

3.5*20mm



F x20

3.5*16mm



G x160

3.5*30mm



H x6

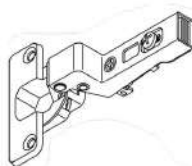
6.3*50mm



J x24



K x12



L x8



M x8



N x8



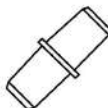
O x8



P x4



Q x30gr.



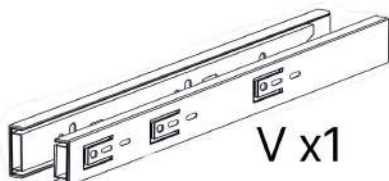
R x32



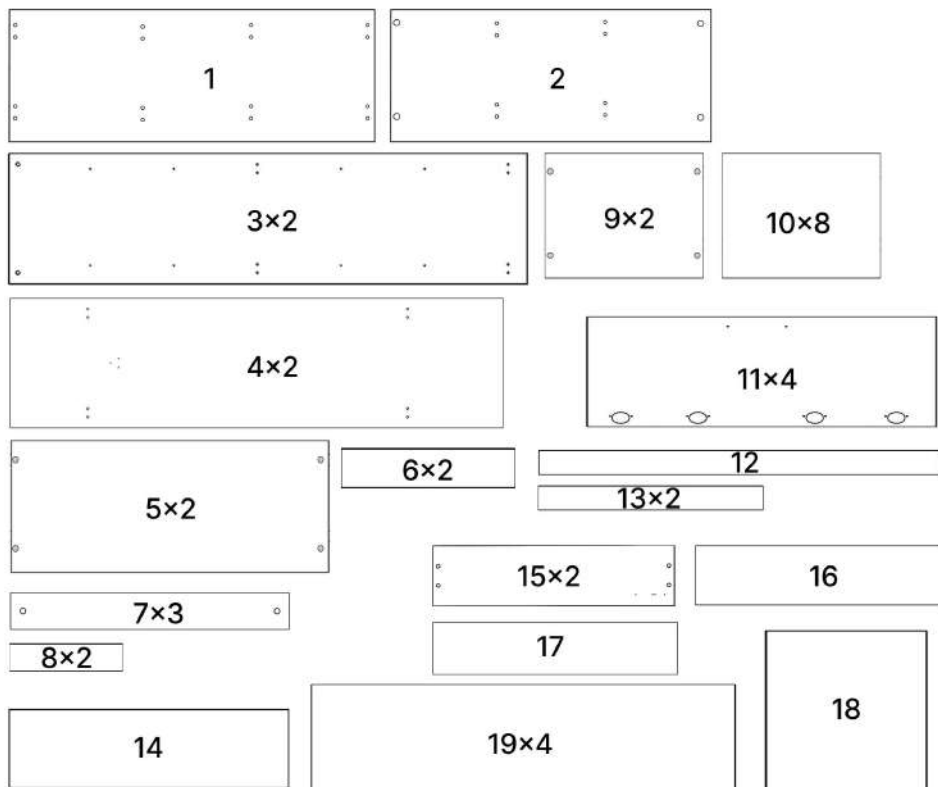
S x2



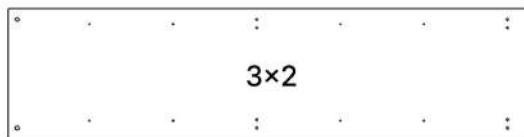
T x1



V x1



Nº	Denumire	Dimensiuni	Buc
1	Placa superioară	1604x520	1
2	Placă inferioară	1564x500	1
3	Placă lateral	1984x500	2
4	Perete intermediar	1902x498	2
5	Placă intermediar	782x500	2
6	Placa intermediara	172x480	2
7	Placa corp	782x100	3
8	Placa falsa	172x65	2
9	Polița fixă	373x490	2
10	Polița	373x490	8
11	Uși	1962x396	4
12	Plinta	1564x64	1
13	Placă plinta	412x64	2
14	Fața sertar	143x646	1
15	Placă sertar	450x120	2
16	Placă sertar	590x120	1
17	Placă sertar	590x98	1
18	Spate sertar (PFL)	624x449	1
19	Spate corp (PFL)	1936x399	4



A x 8



B x 4



O x 8
3.5*16mm



R x 16

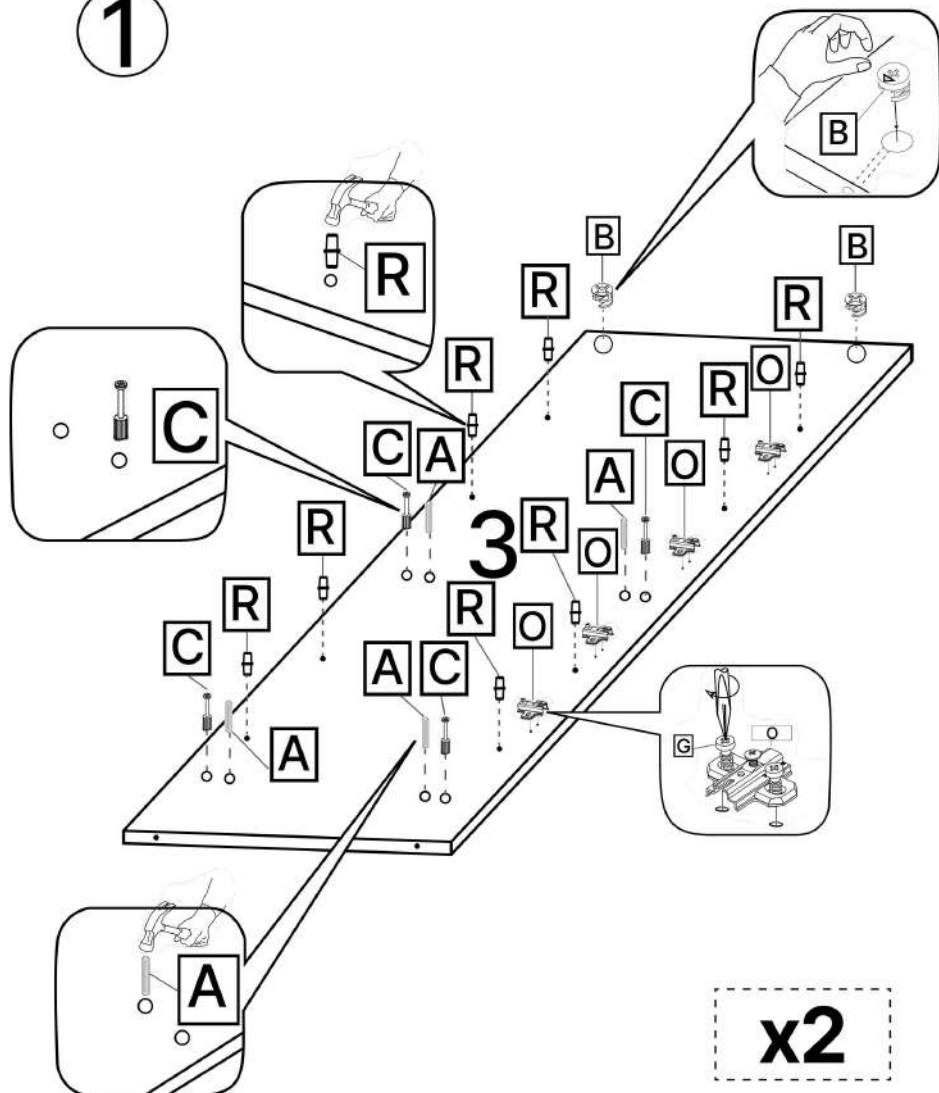


C x 8



G x 16

1





4x2



A x12



B x8



C x12



M x6



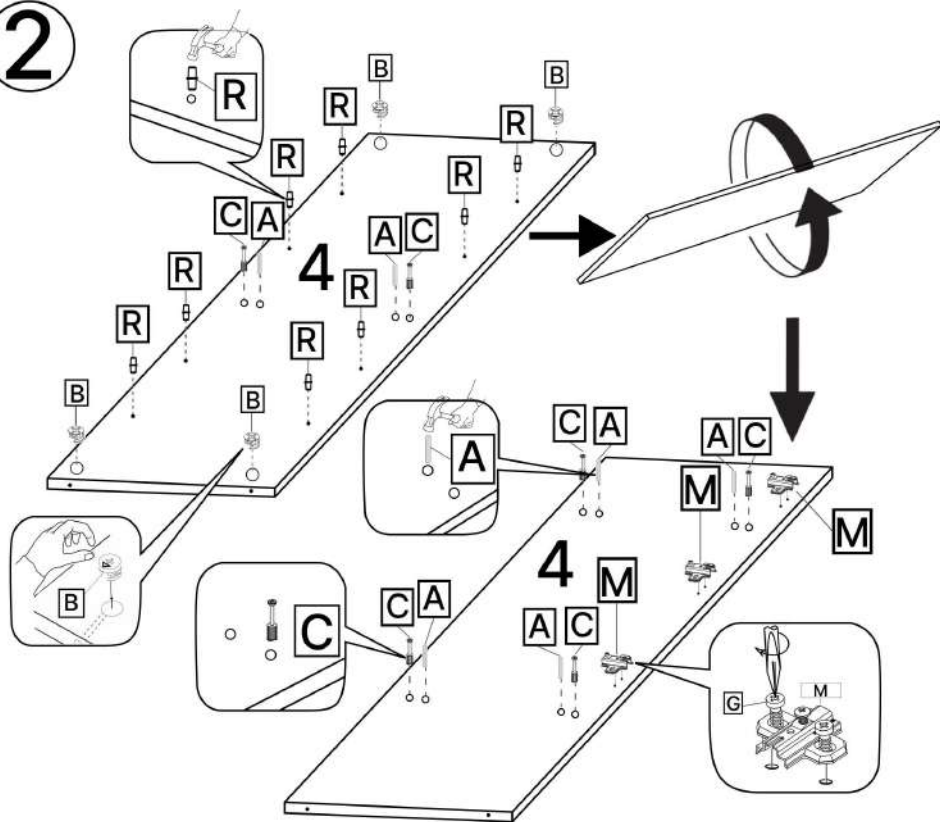
3.5*16mm

G x12

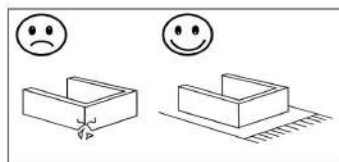


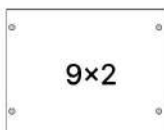
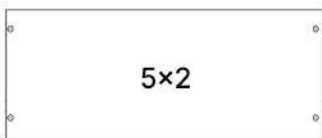
R x16

2

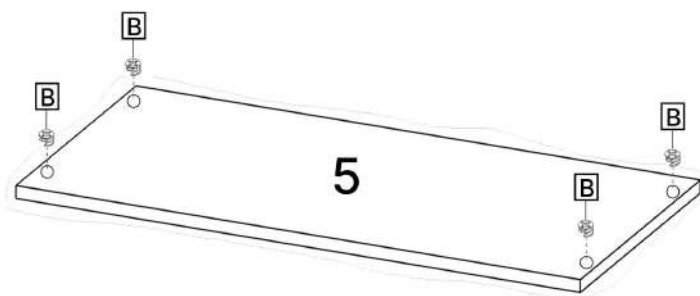


x2



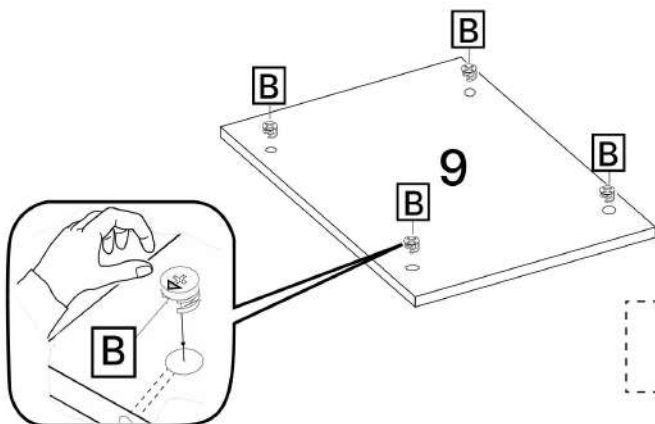


3

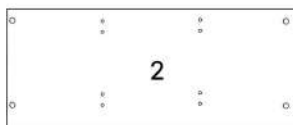
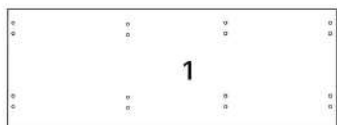


x2

4



x2



B x8

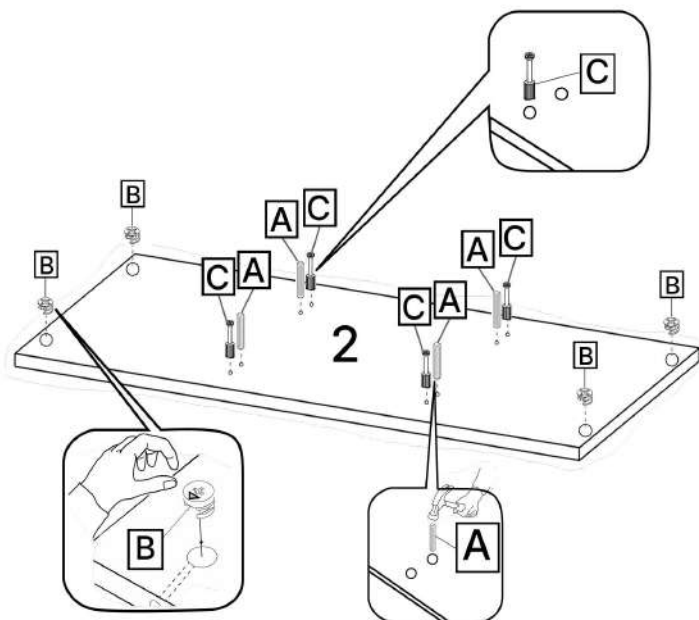


A x24

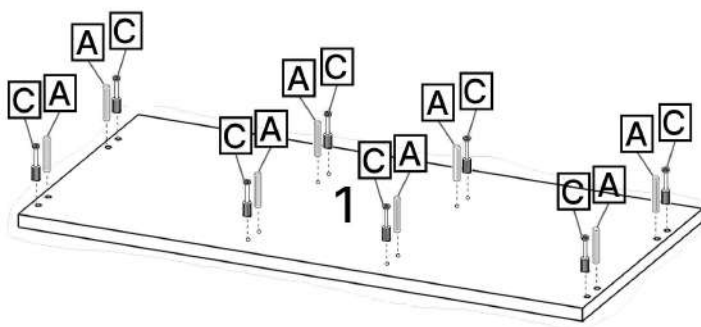


C x24

5



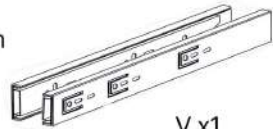
6



3.5*16mm

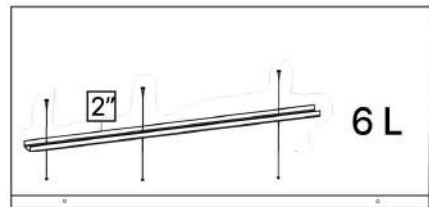
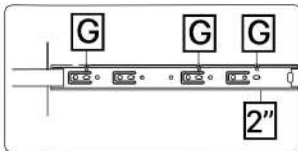
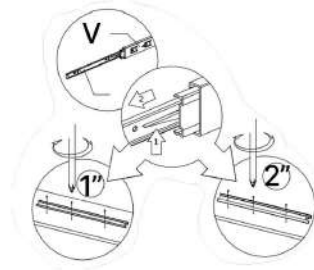
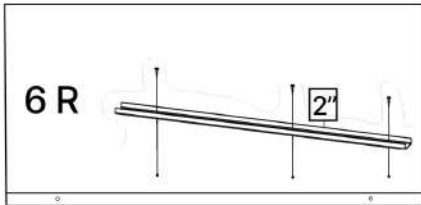


G x6

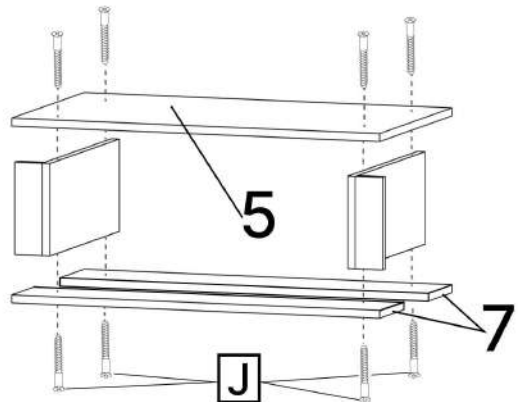
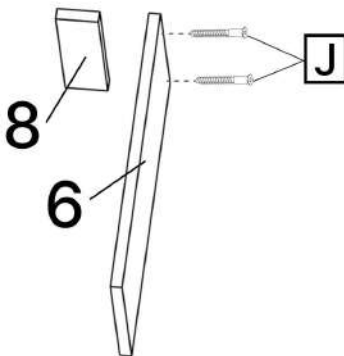


V x1

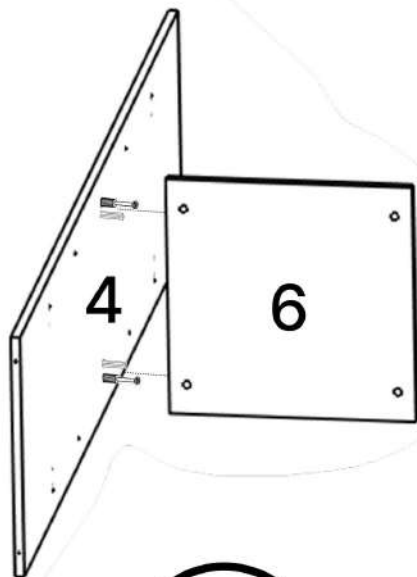
7



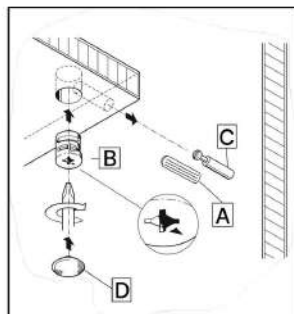
8



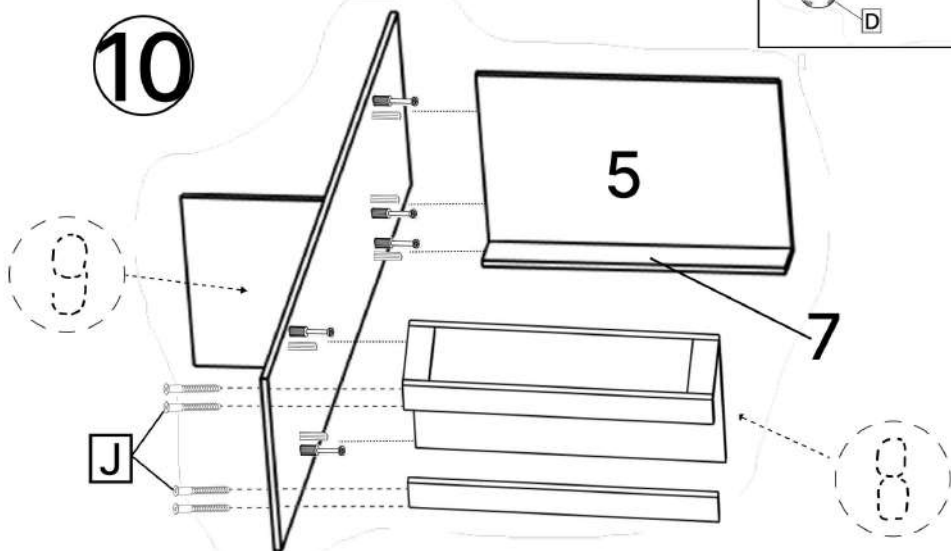
9



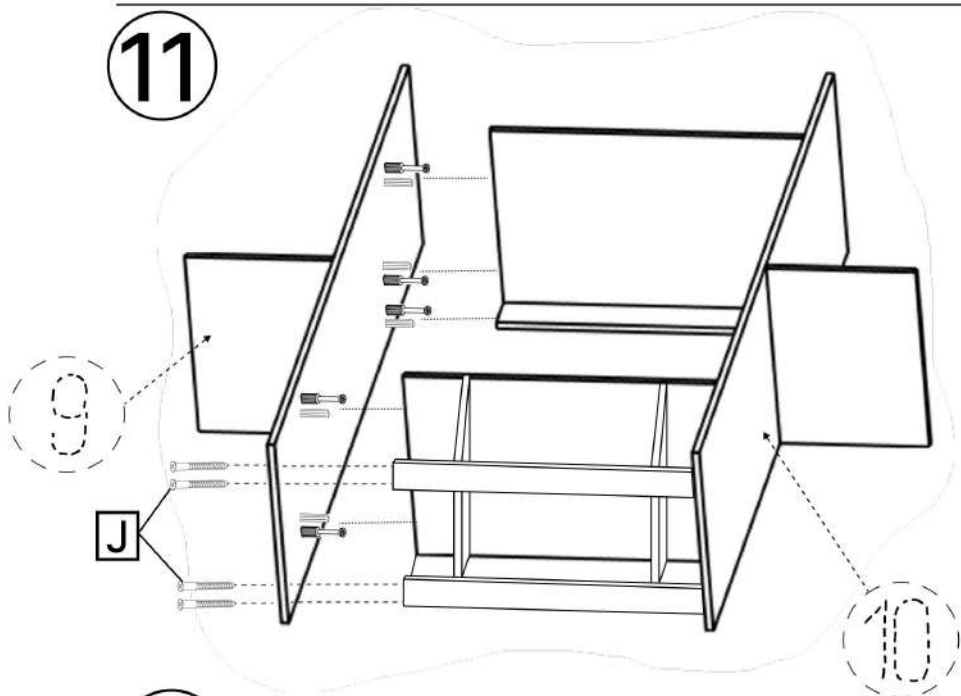
x2



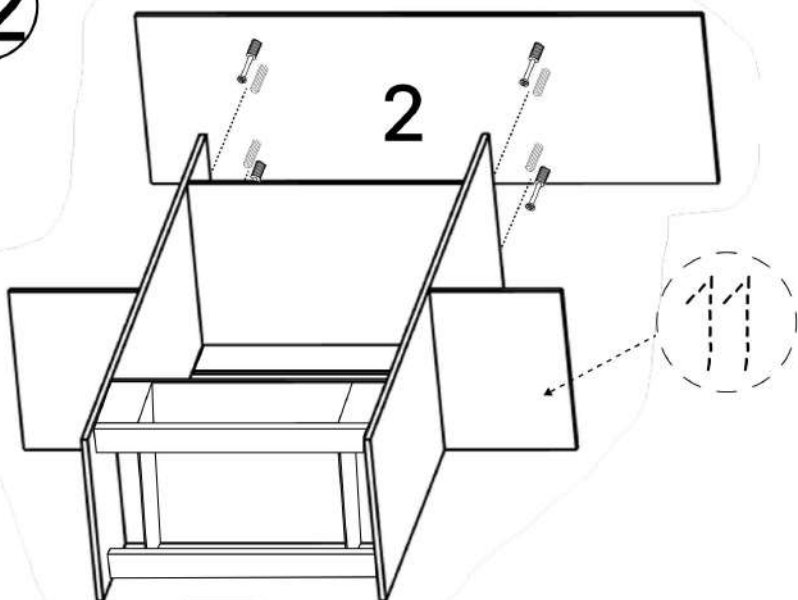
10



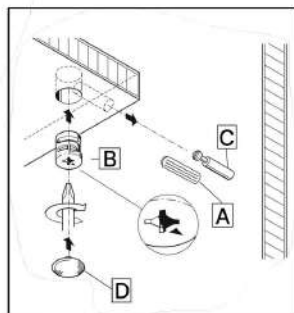
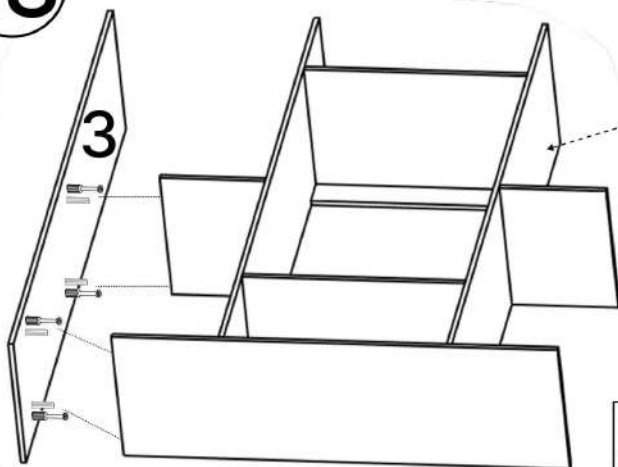
11



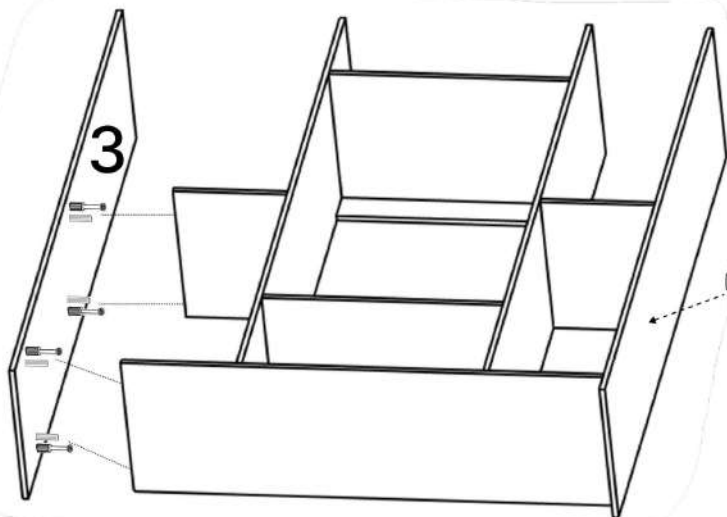
12



13



14





S x2



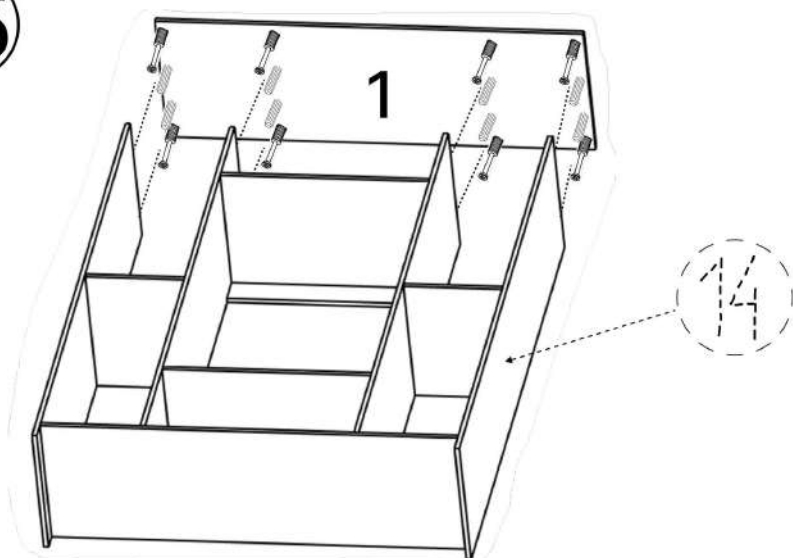
T x1

3.5*16mm

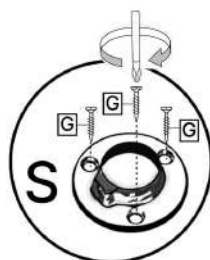
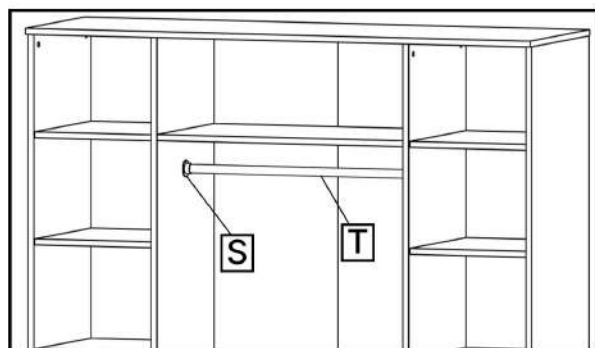


G x6

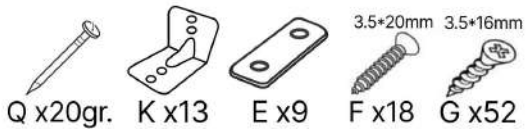
15



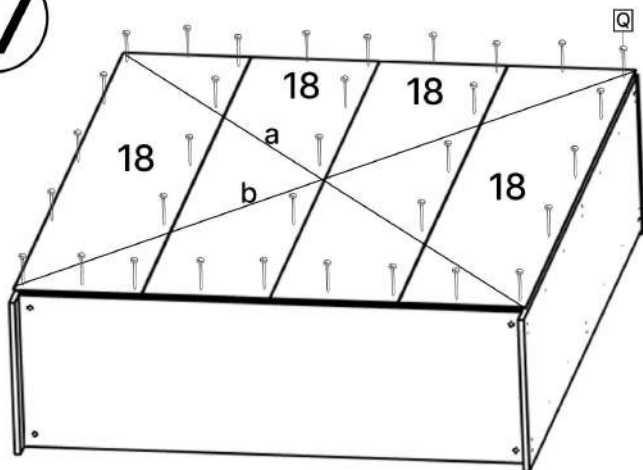
16



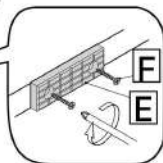
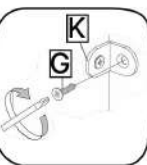
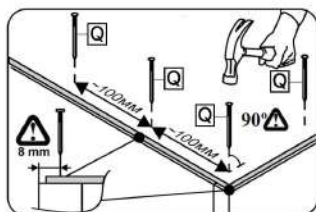
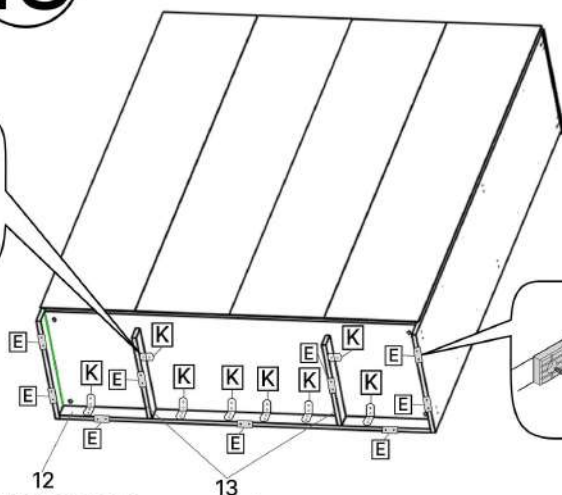
18×4



17



18



16

17

18

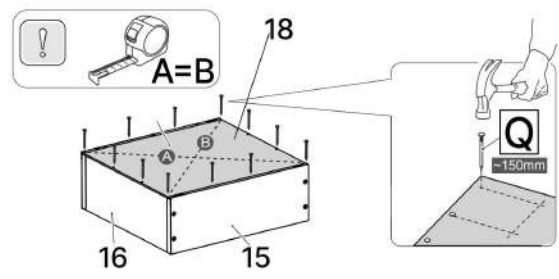
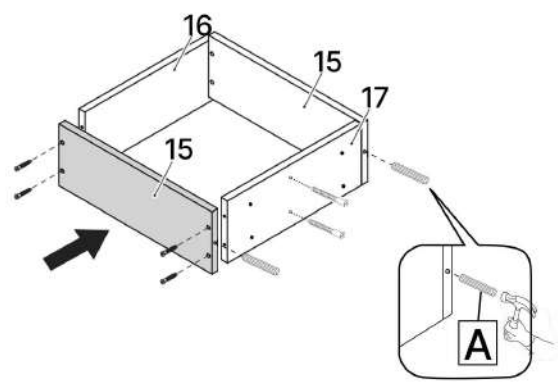
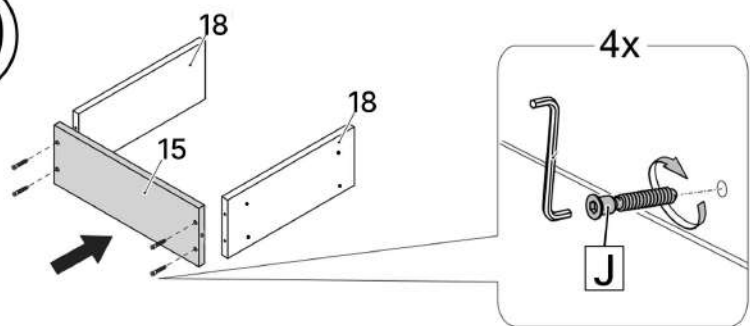
15x2

A x4

6.3x50mm
J x12

Q x5gr.

19



14

3.5*16mm

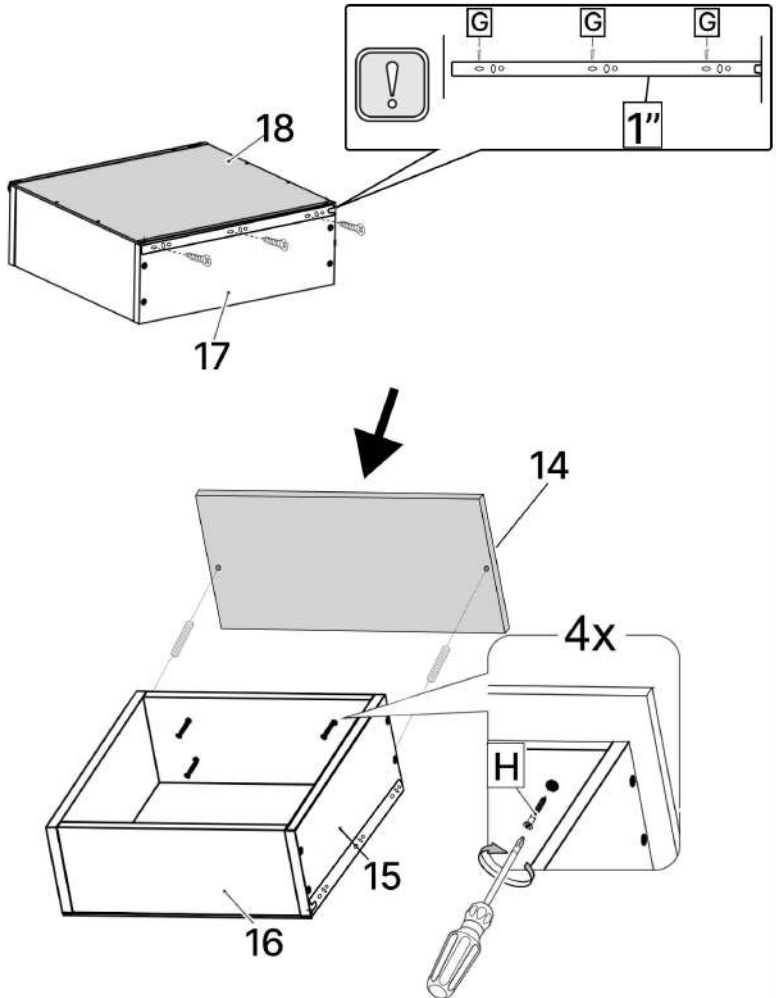
3.5*30mm

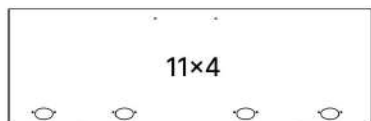


G x12

H x4

20





N x 8



L x 8

3.5*16mm

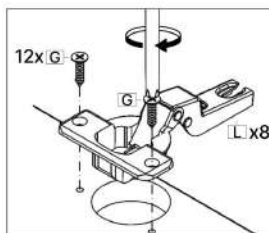
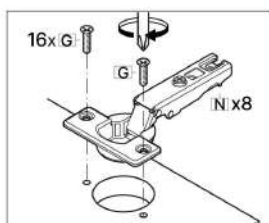
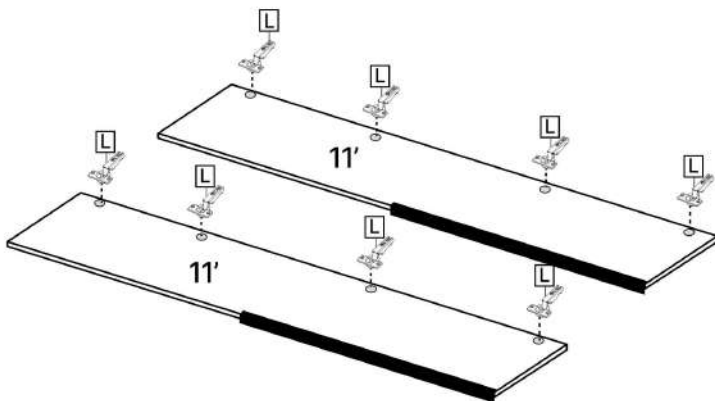
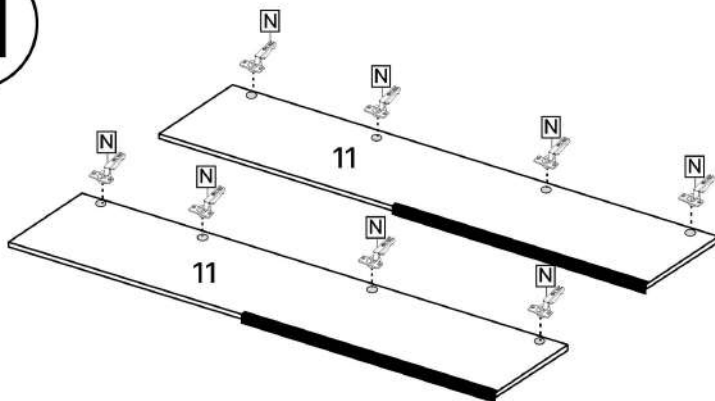


P x 4



G x 28

21



22

