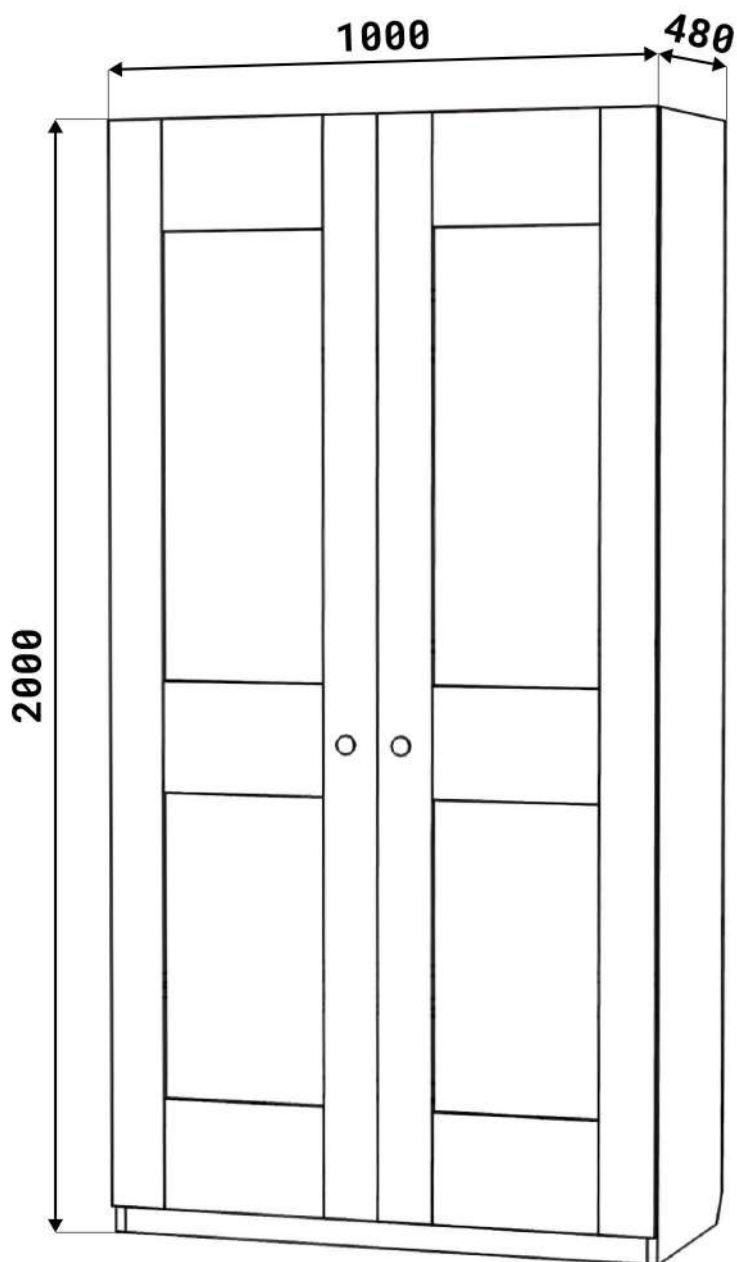


DULAP "MEZZO"

1000mm



Adrese:
Prospectul Republicii, 33
Cahul, Moldova

str. Petricani 17/4
Chisinau, Moldova

MD-3909

serviceclient@fabrikhome.md
www.fabrikhome.md

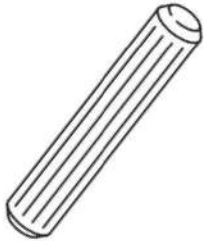
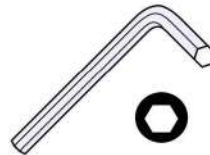
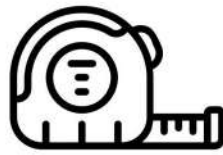
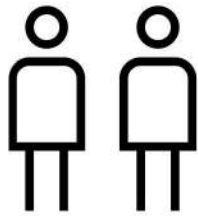
Serviciu clienti:
+373 299 32 277
+373 799 07 807

Control calitate:
+373 798 82 000

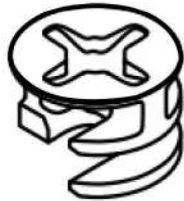


Fabrik Home

Mobila. Decor. Opinia.
S.C. "Interstepcom" S.R.L.



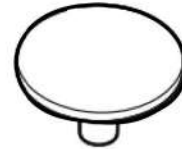
A x28



B x24



C x24



D x8



E x8

3.5*20mm



F x16

3.5*16mm



G x70

3.5*30mm

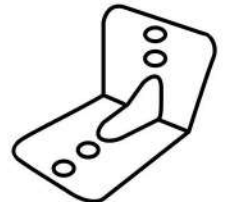


H x8

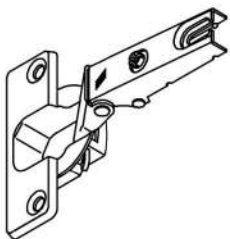
6.3*50mm



J x24



K x6



L x8



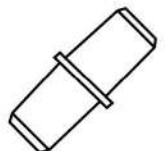
M x8



N x2



O x20gr.



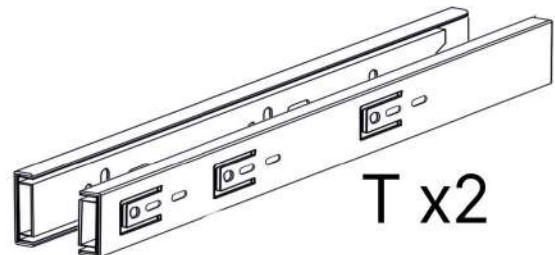
P x12



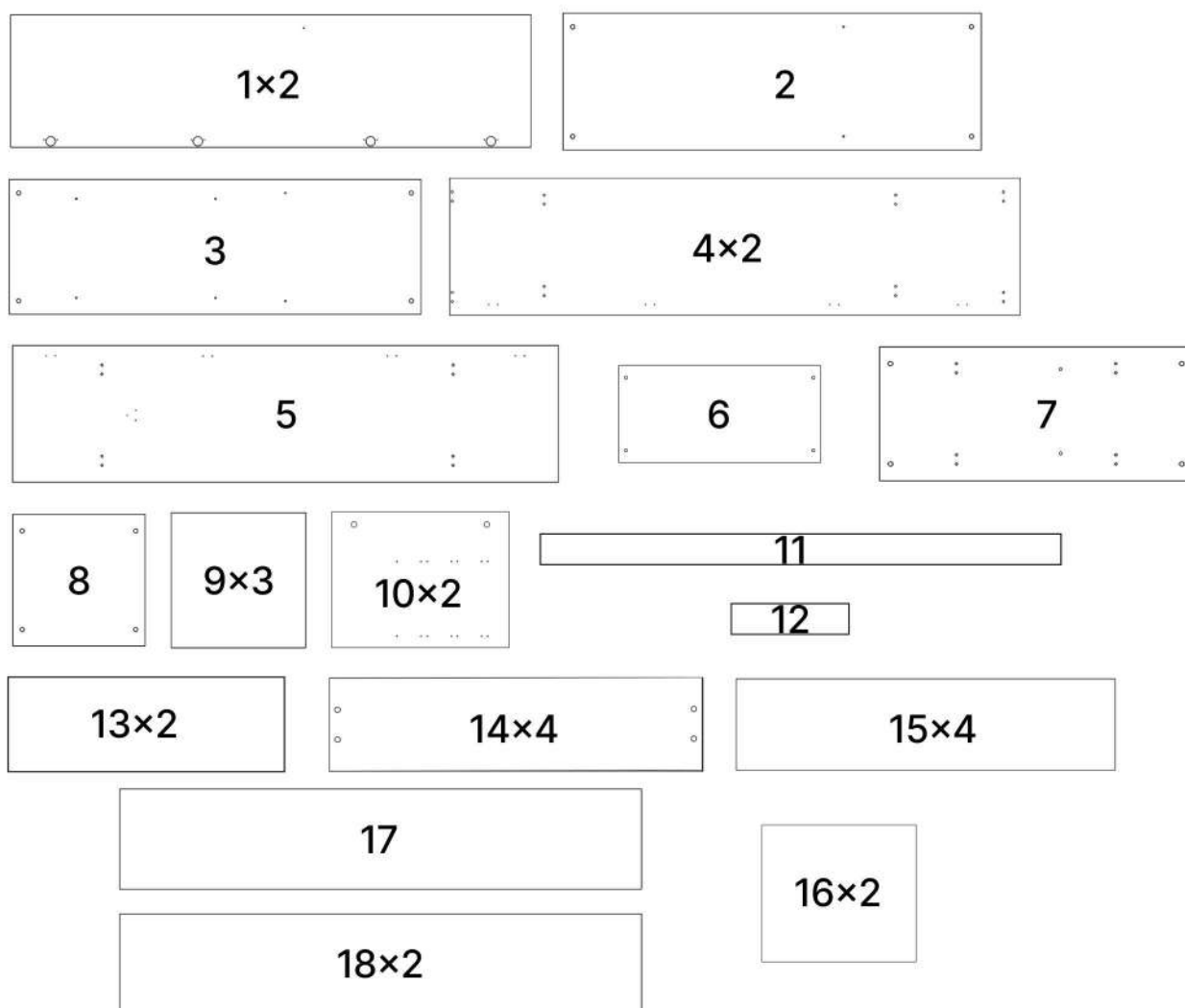
R x2



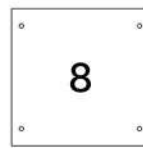
S x1



T x2



No	Denumire	Dimensiuni	Buc
1	Ușile dulapului	1946x497	2
2	Placă superioară	964x480	1
3	Placă inferioară	964x480	1
4	Perete lateral	2000x480	2
5	Perete intermediar	1536x470	1
6	Placa intermediară de sus	576x470	1
7	Placa intermediară de jos	964x470	1
8	Polita fixă	370x470	1
9	Polita	368x470	3
10	Perete intermediar mic	360x470	2
11	Plinta	964x50	1
12	Placa plintă	410x50	1
13	Fața seratar	163x463	2
14	Placa sertar	406x100	4
15	Placa sertar	400x100	4
16	Spate sertar (PFL)	398x440	2
17	Spate corp (PFL)	1948x396	1
18	Spate corp (PFL)	1948x301	2



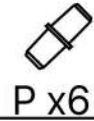
A x4



B x4

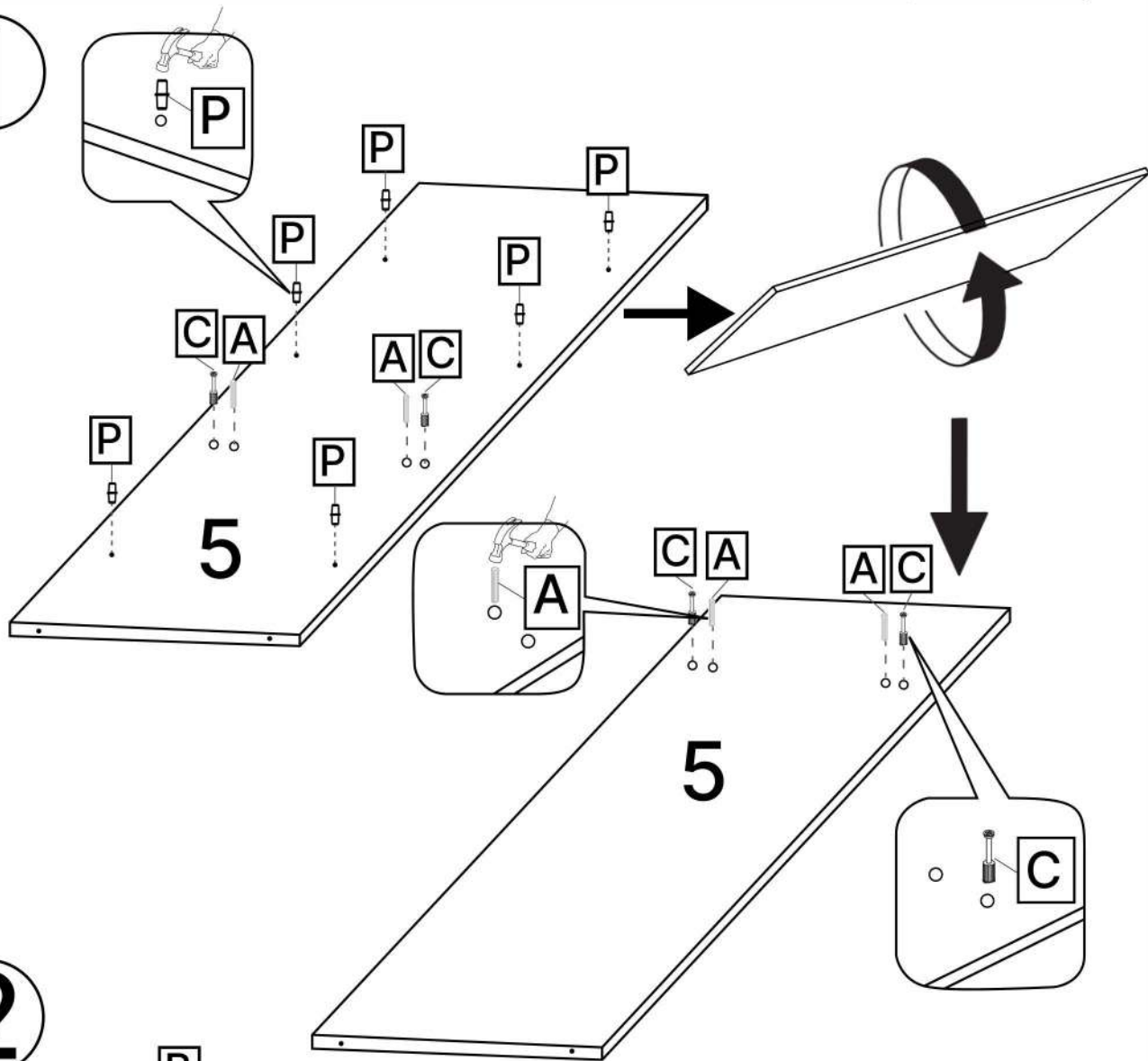


C x4

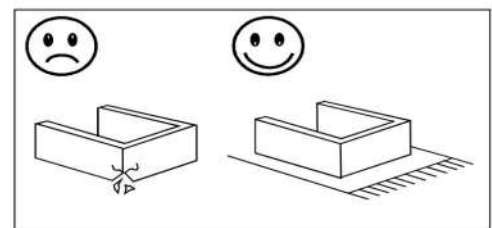
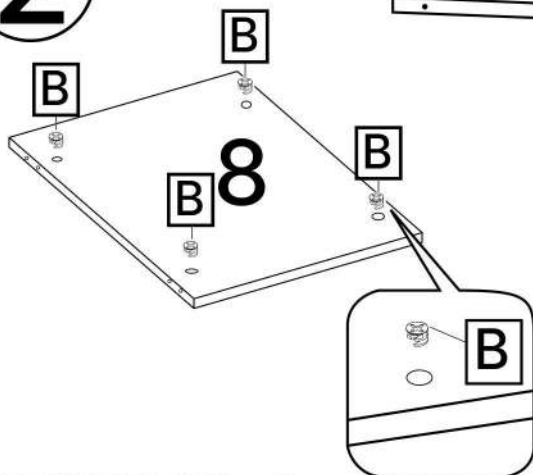


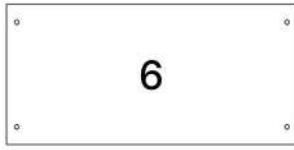
P x6

1

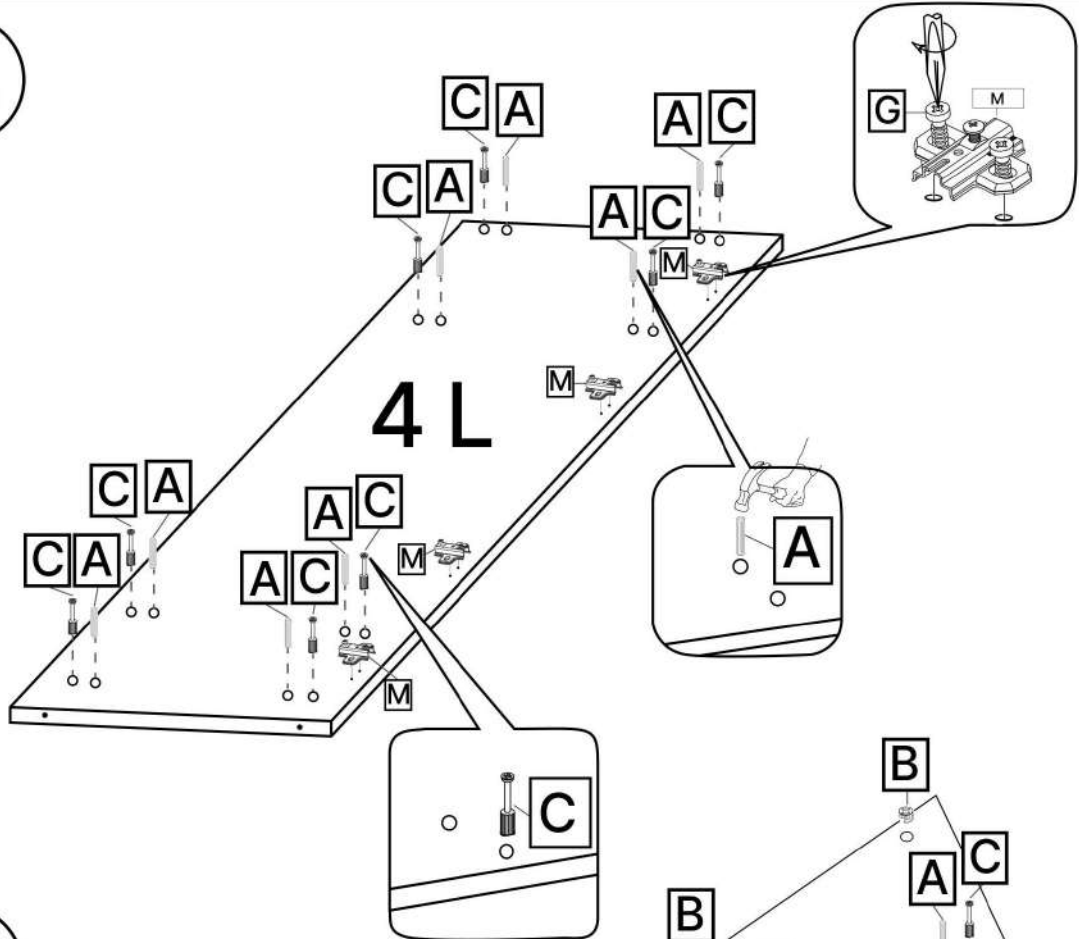


2

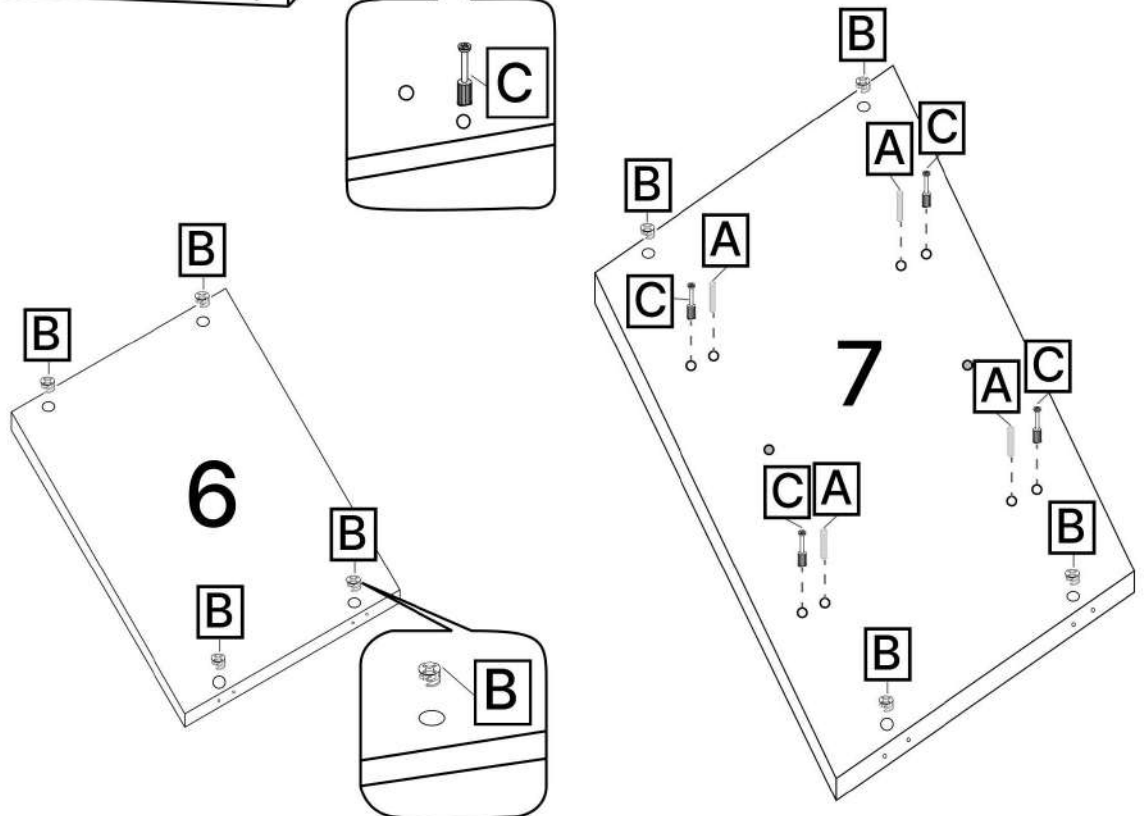




3



4





A x8



C x8



M x4



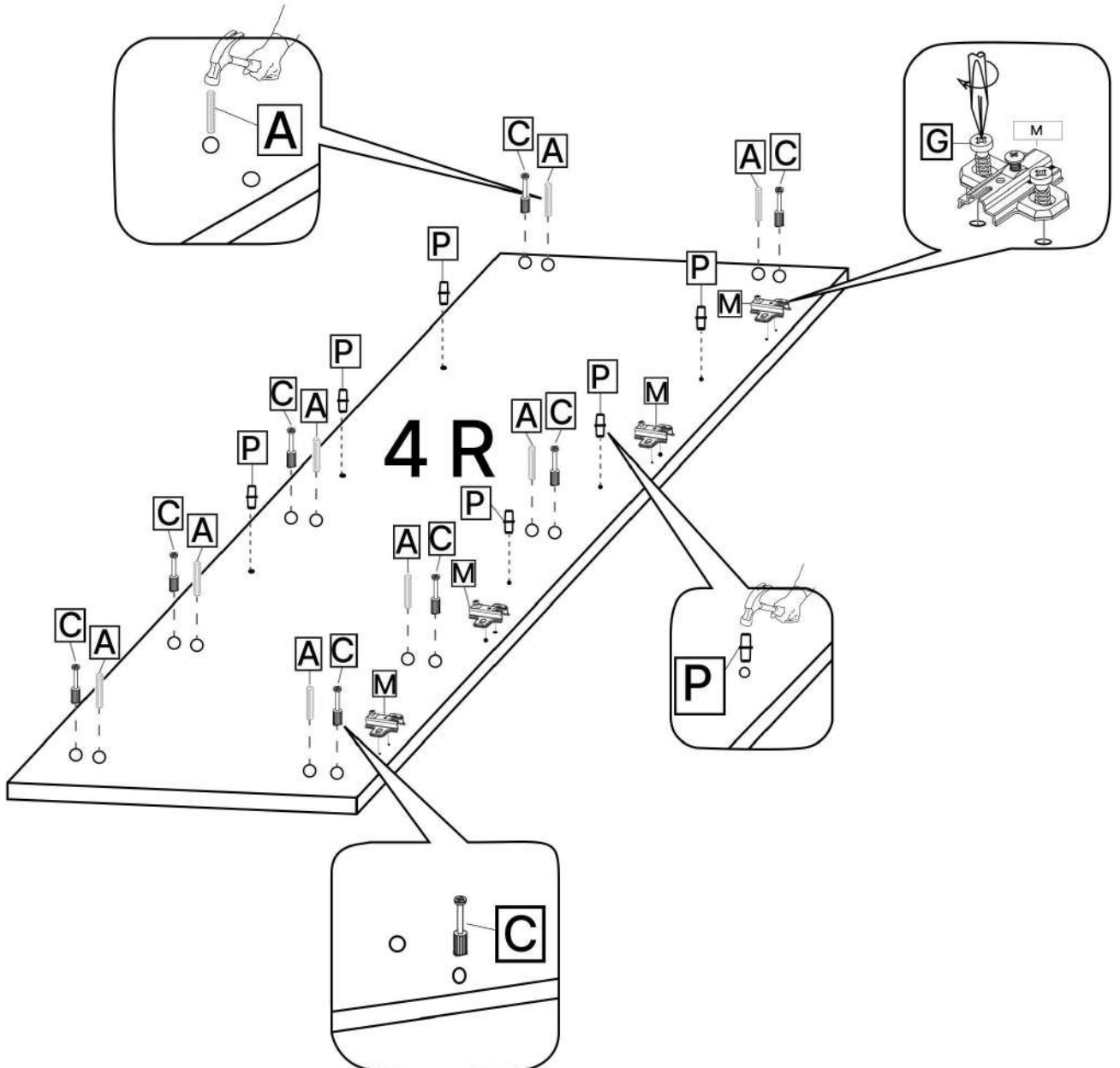
P x6

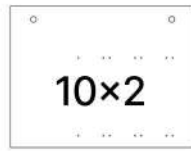
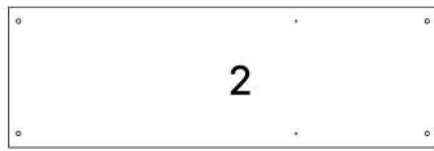


3.5*16mm

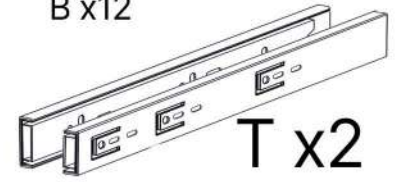
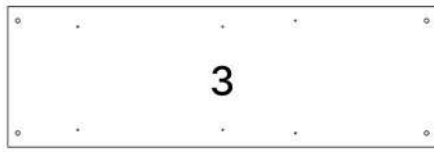
G x8

5

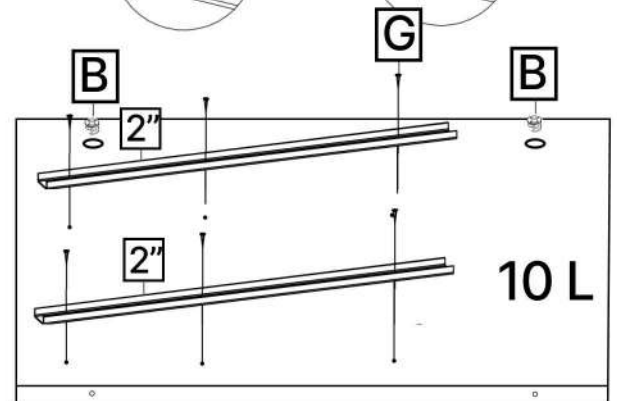
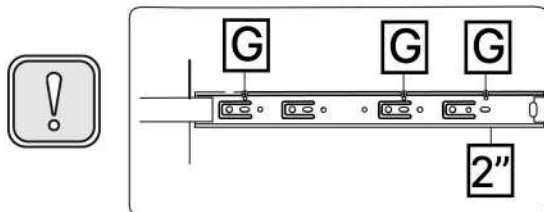
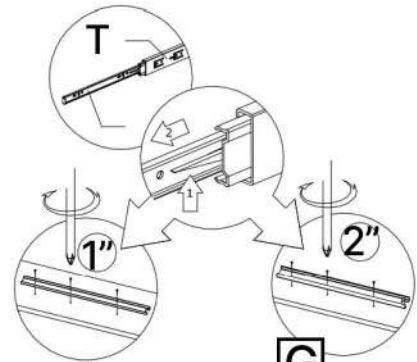
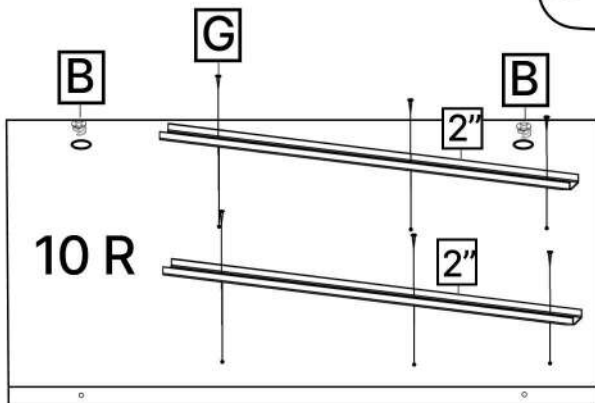
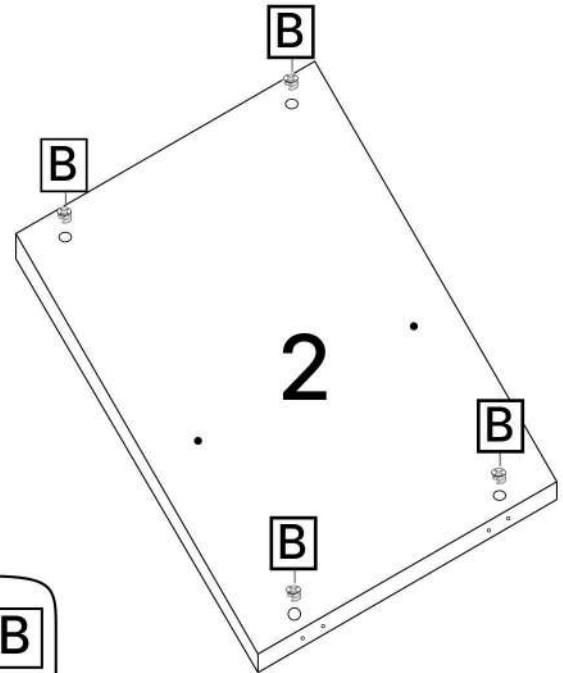
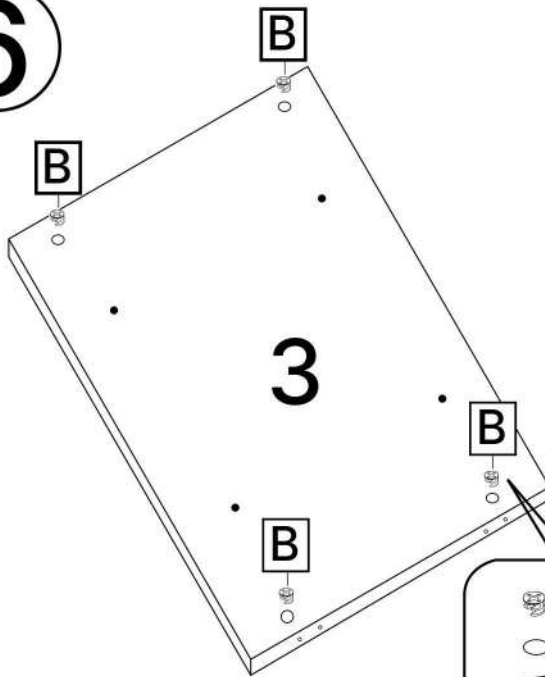




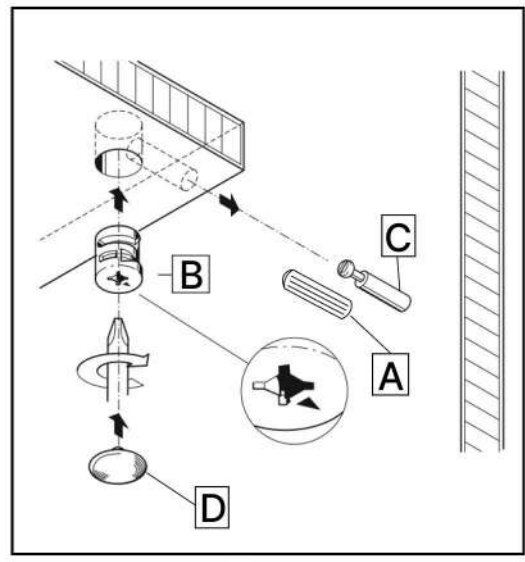
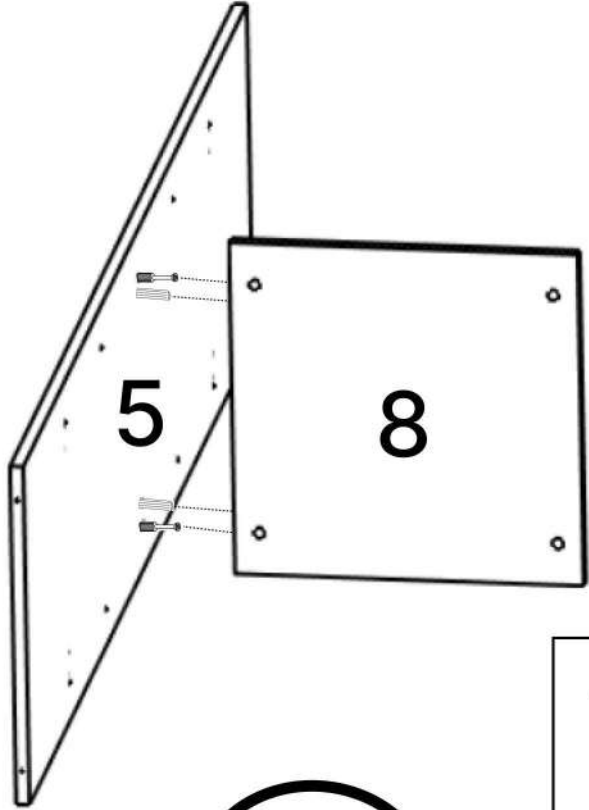
3.5*16mm



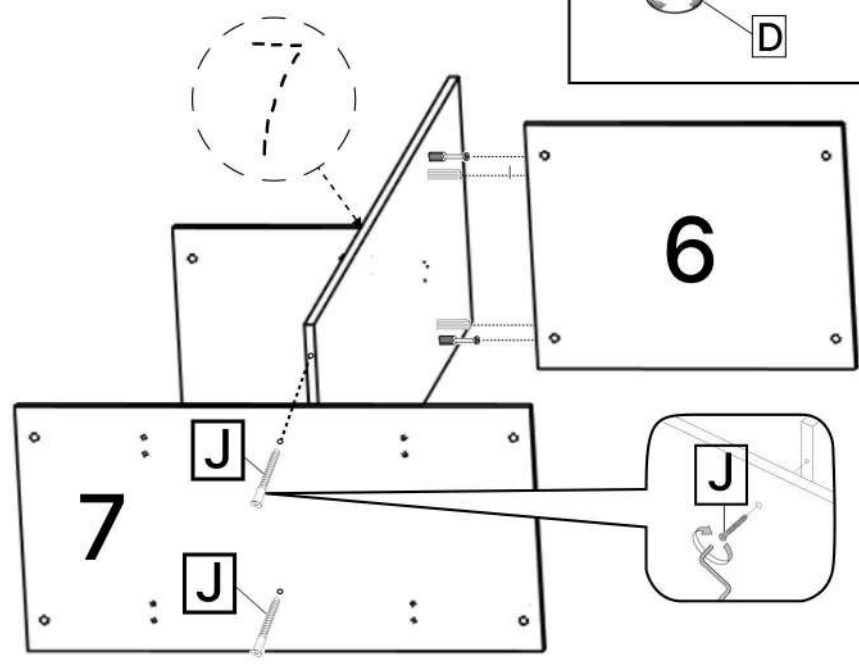
6



7

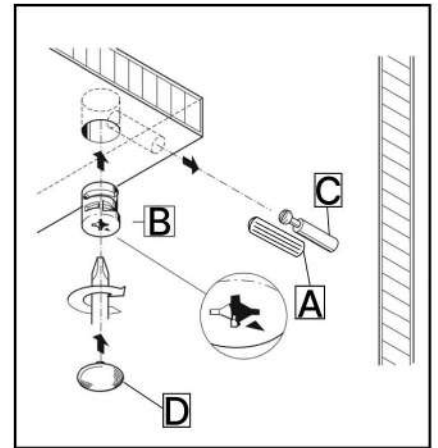
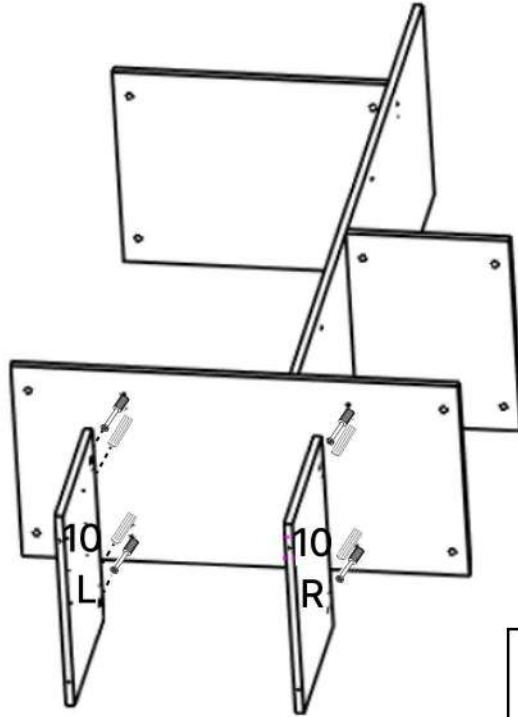


8

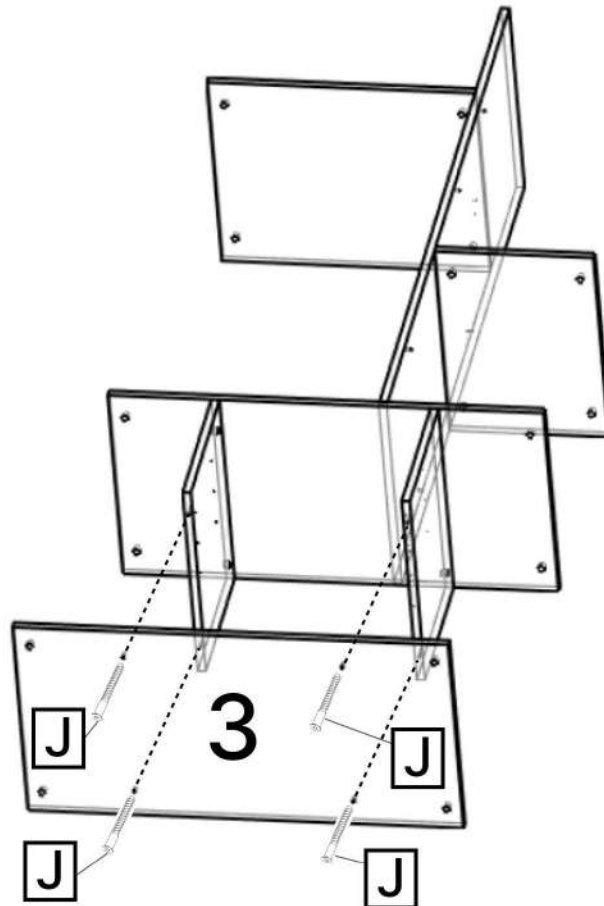




9



10





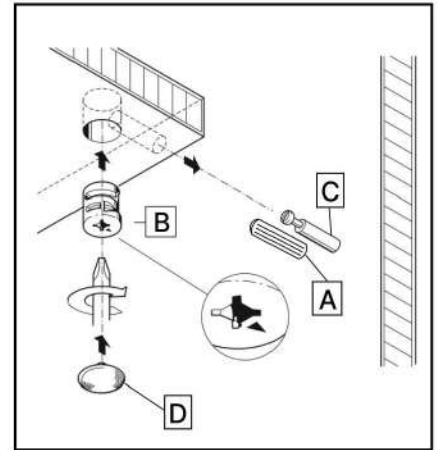
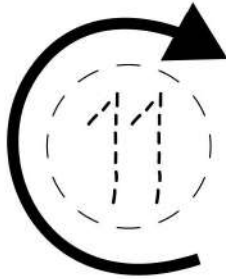
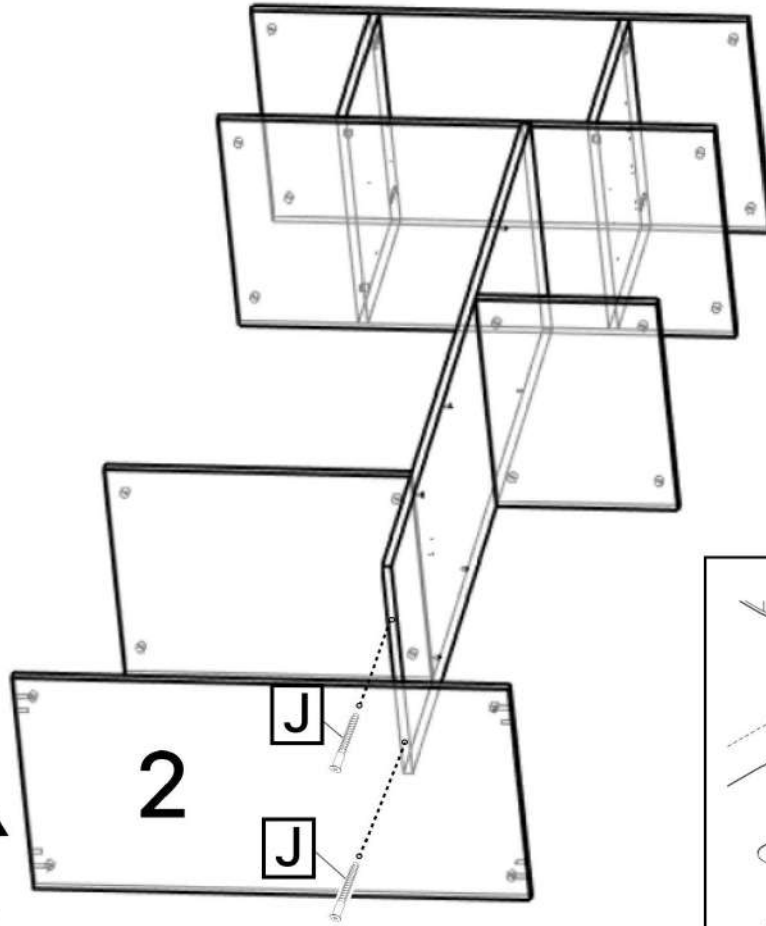
D x2

6.3*50mm

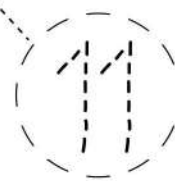
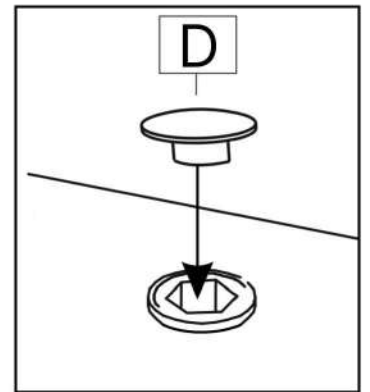
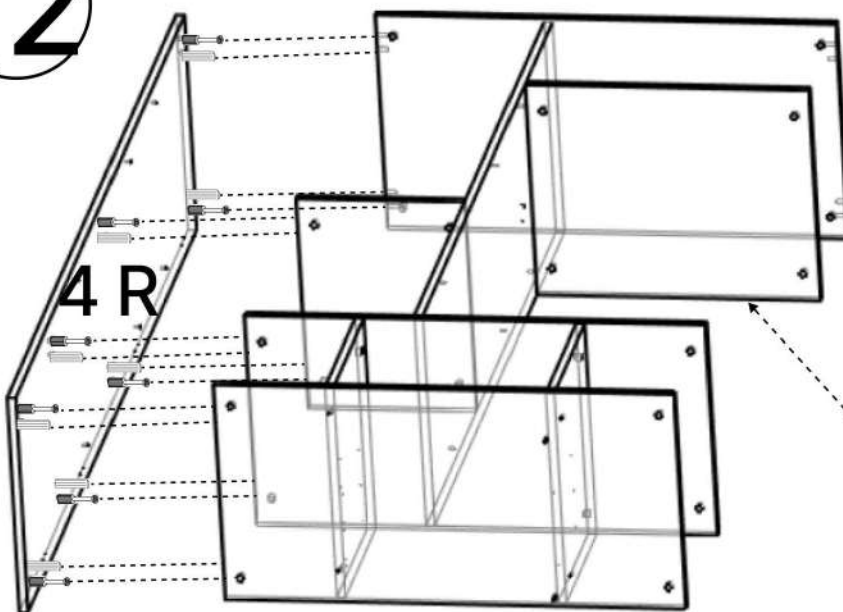


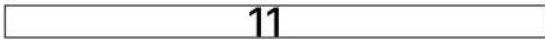
J x2

11

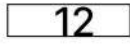


12





11



12

3.5*20mm



F x16



E x8



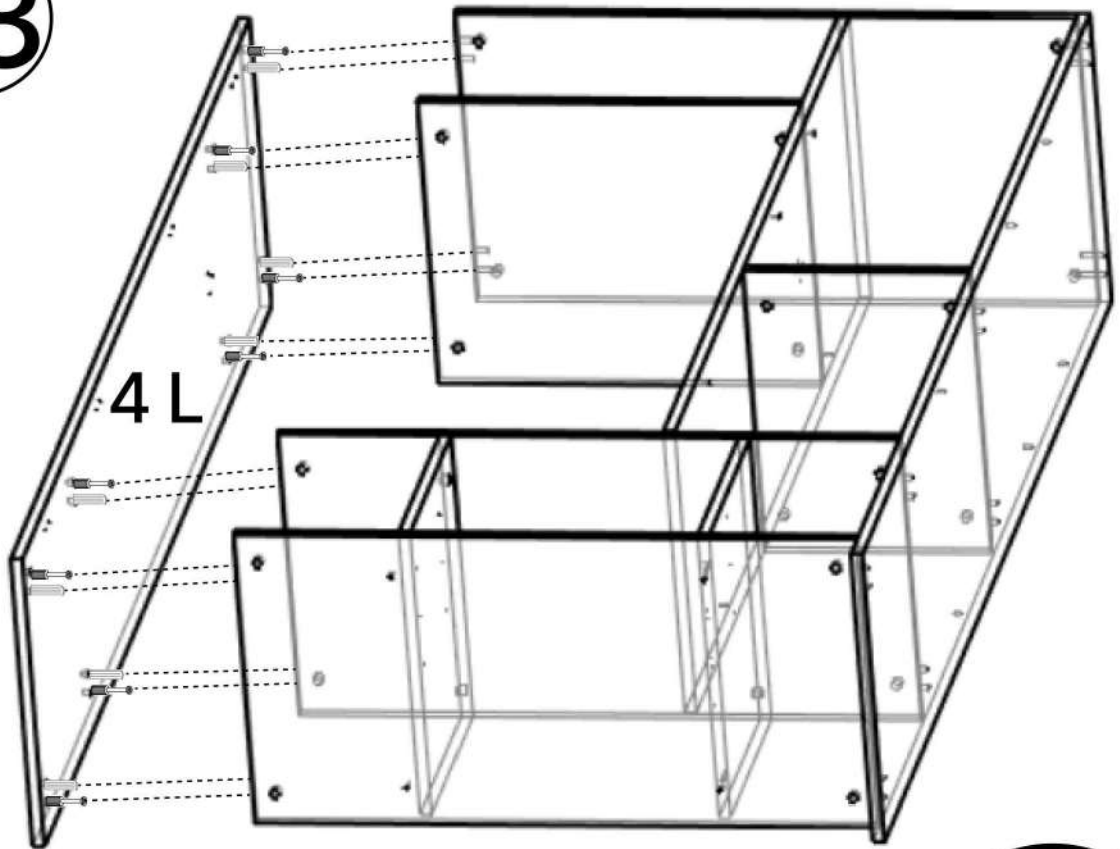
K x6

3.5*16mm

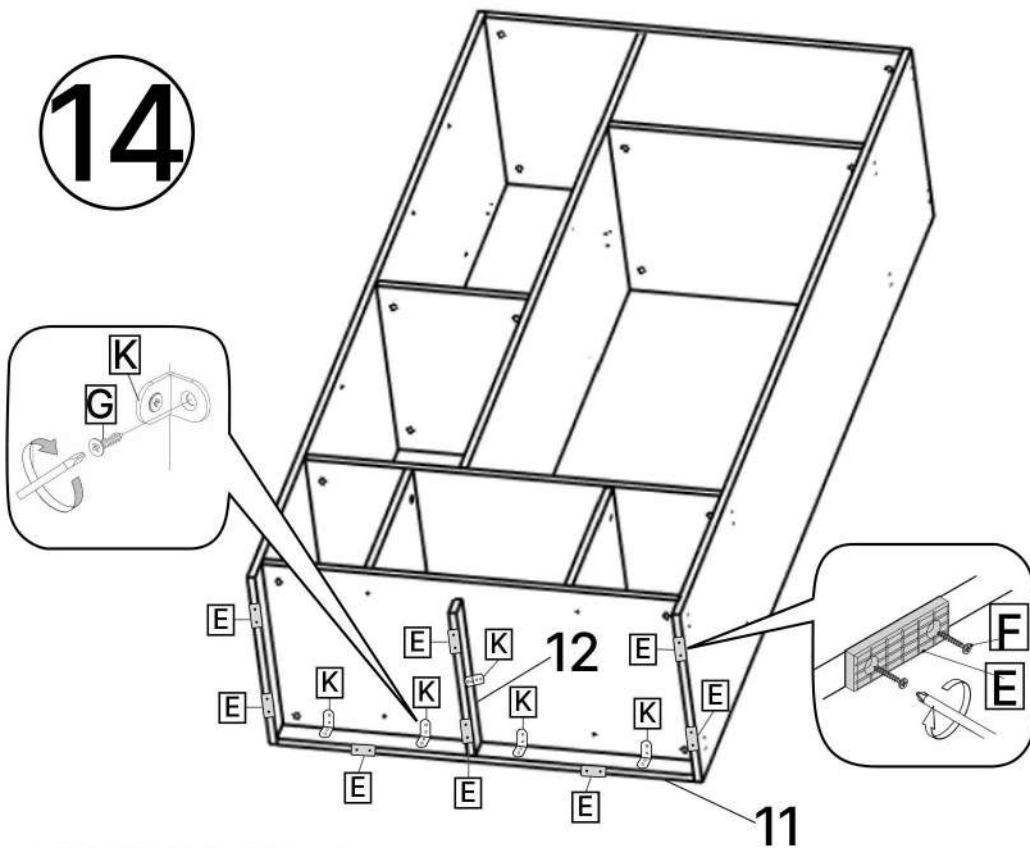


G x12

13



14



18x2
17



R x2



S x1



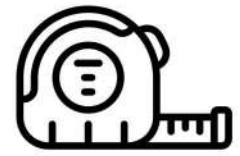
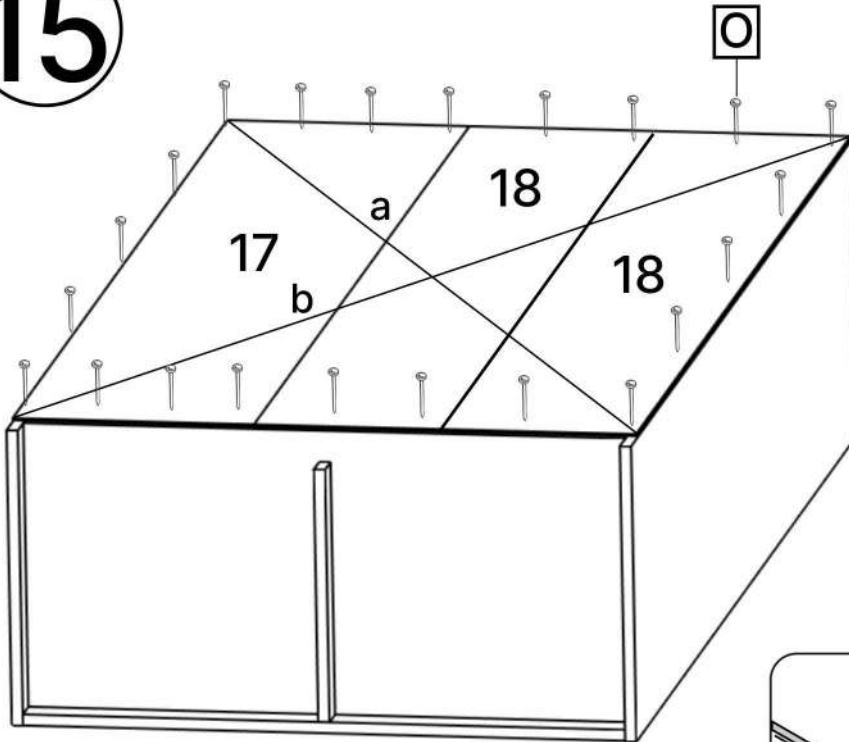
O x10gr.



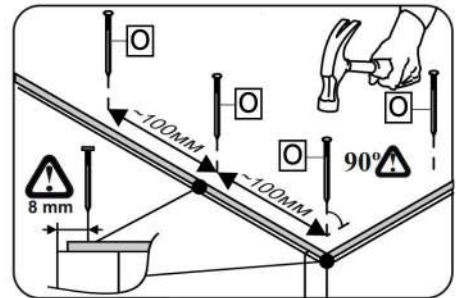
3.5*16mm

G x6

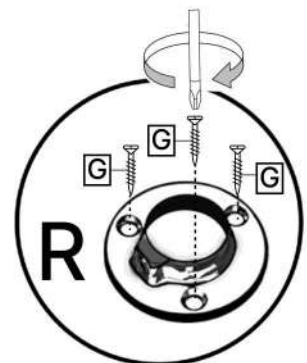
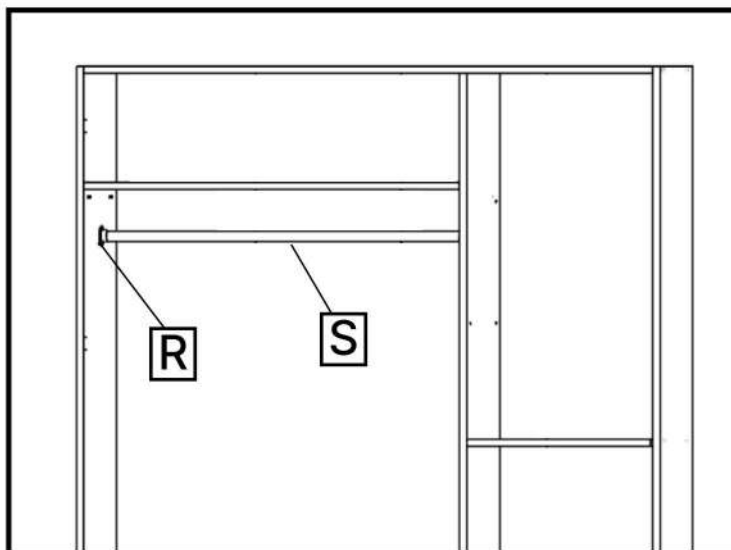
15



a=b



16



14x4

16x2

15x4



A x4

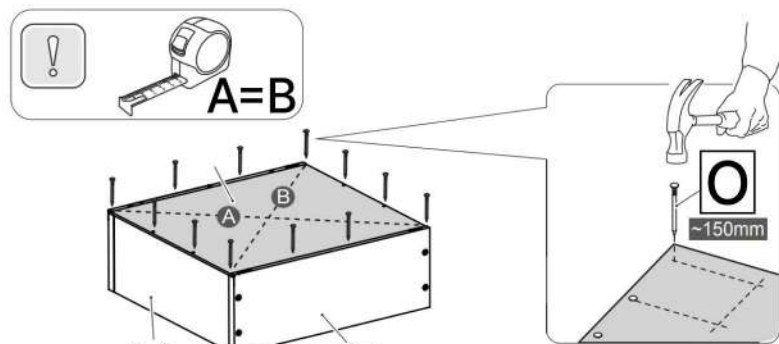
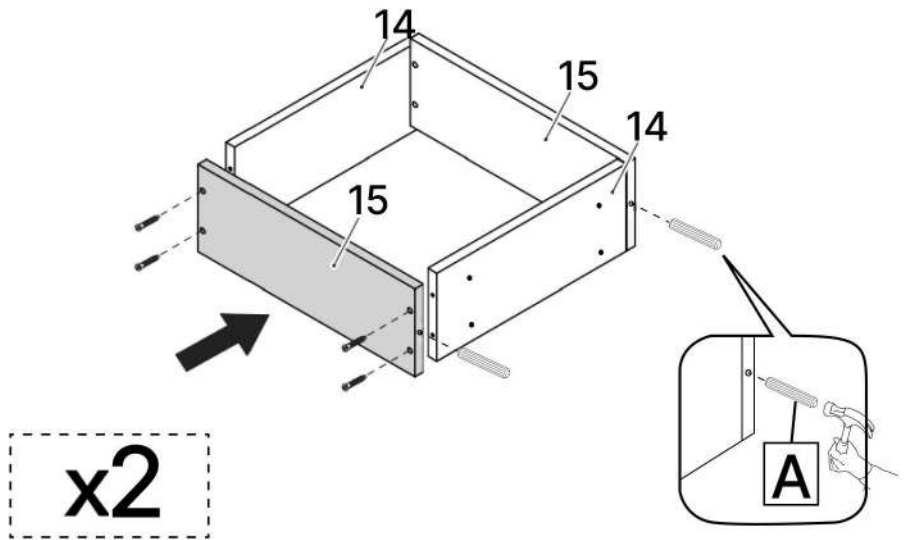
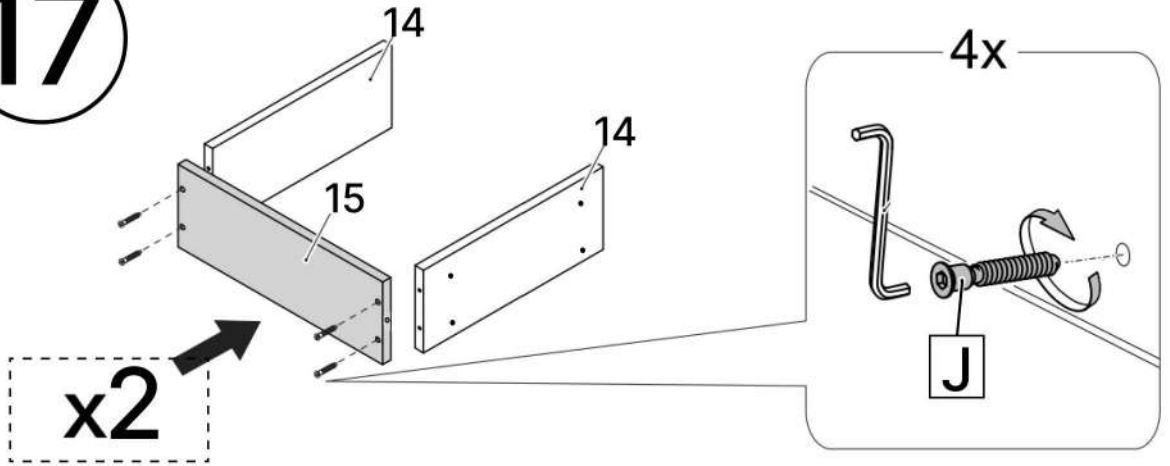


6.3*50mm
J x16



O x20gr.

17



x2

13x2

3.5*16mm

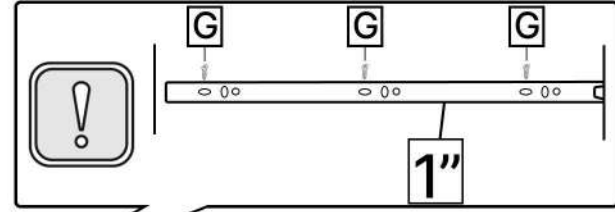
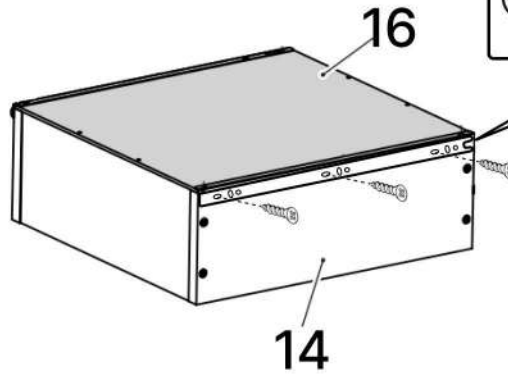
3.5*30mm



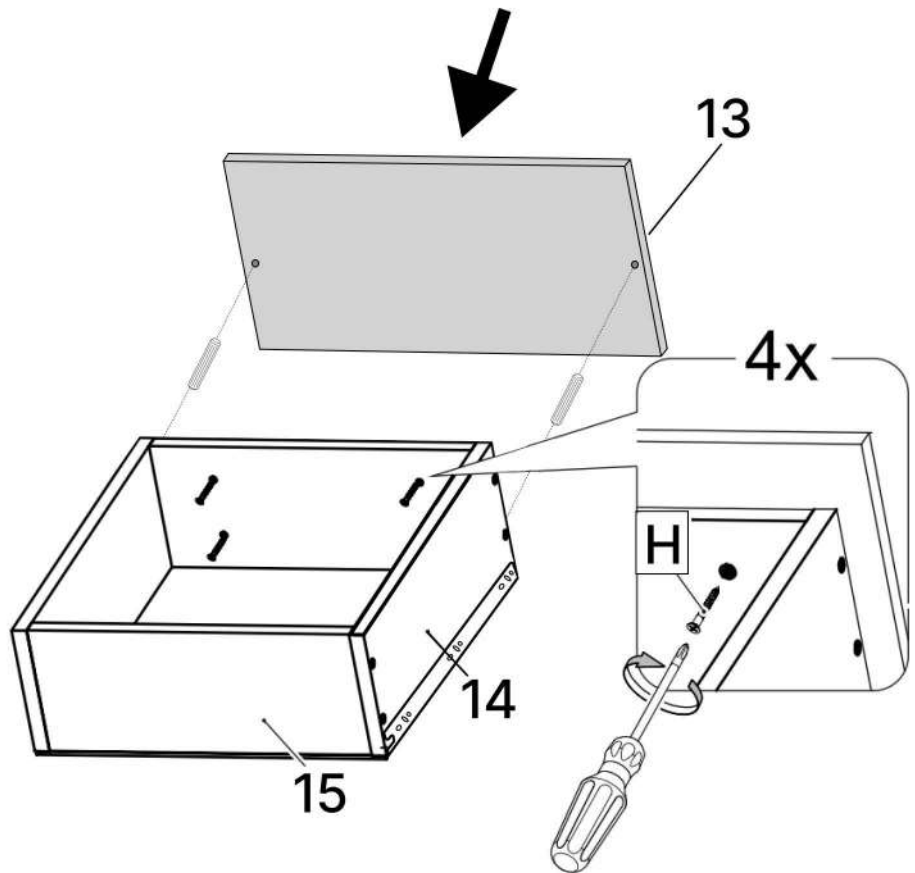
G x12

H x8

18



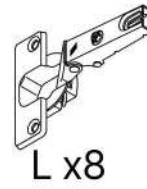
x2



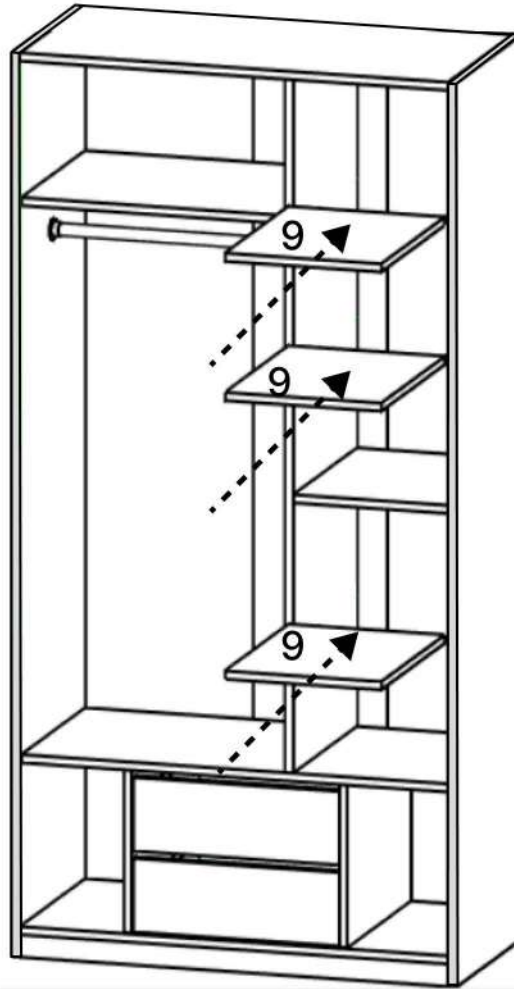
x2

9x3

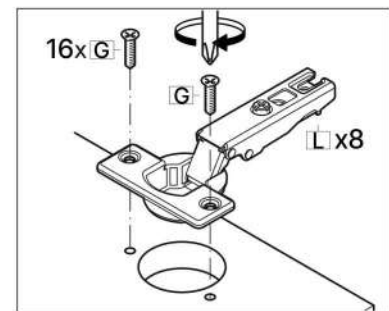
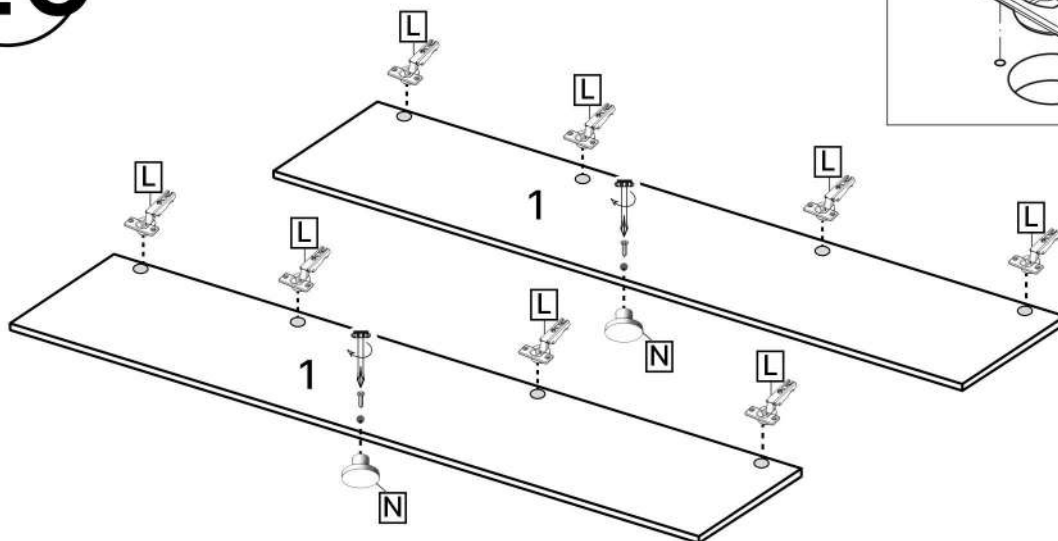
1x2



19



20



21

