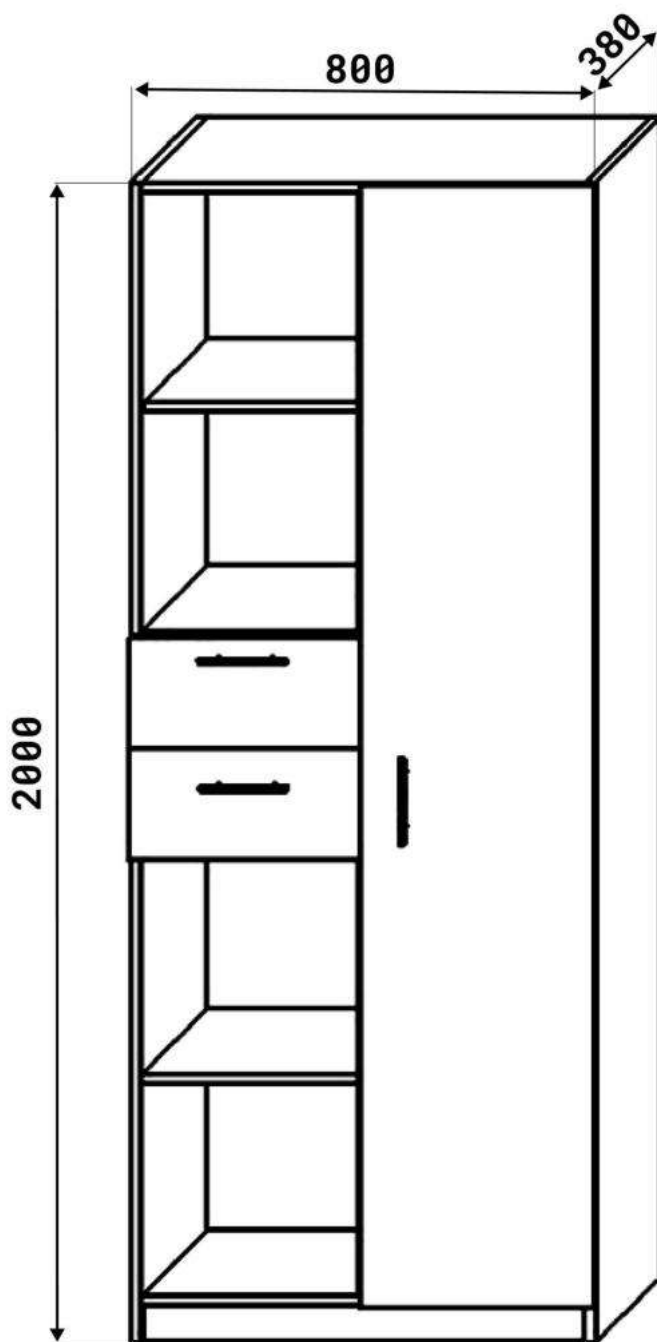


Office Line 4



Adrese:
Prospectul Republicii, 33
Cahul, Moldova

str. Petricani 17/4
Chisinau, Moldova

MD-3909

serviceclient@fabrikhome.md
www.fabrikhome.md

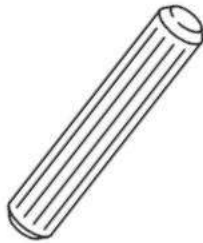
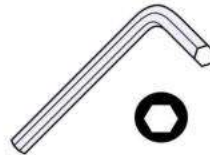
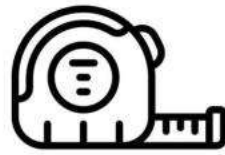
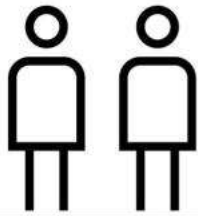
Serviciu clienti:
+373 299 32 277
+373 799 07 807

Control calitate:
+373 798 82 000



Fabrik Home

Mobila. Decor. Opinia.
S.C. "Interstepcom" S.R.L.



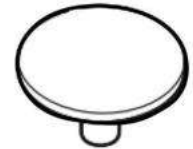
A x28



B x24



C x24



D x24

6.3*50mm

3.5*30mm

3.5*16mm



E x4



F x20

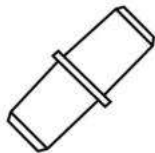


G x8



H x60

3.5*20mm



J x16



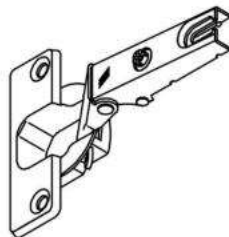
K x8



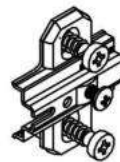
L x70gr.



M x3



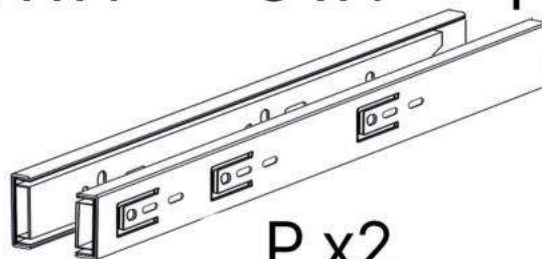
N x4



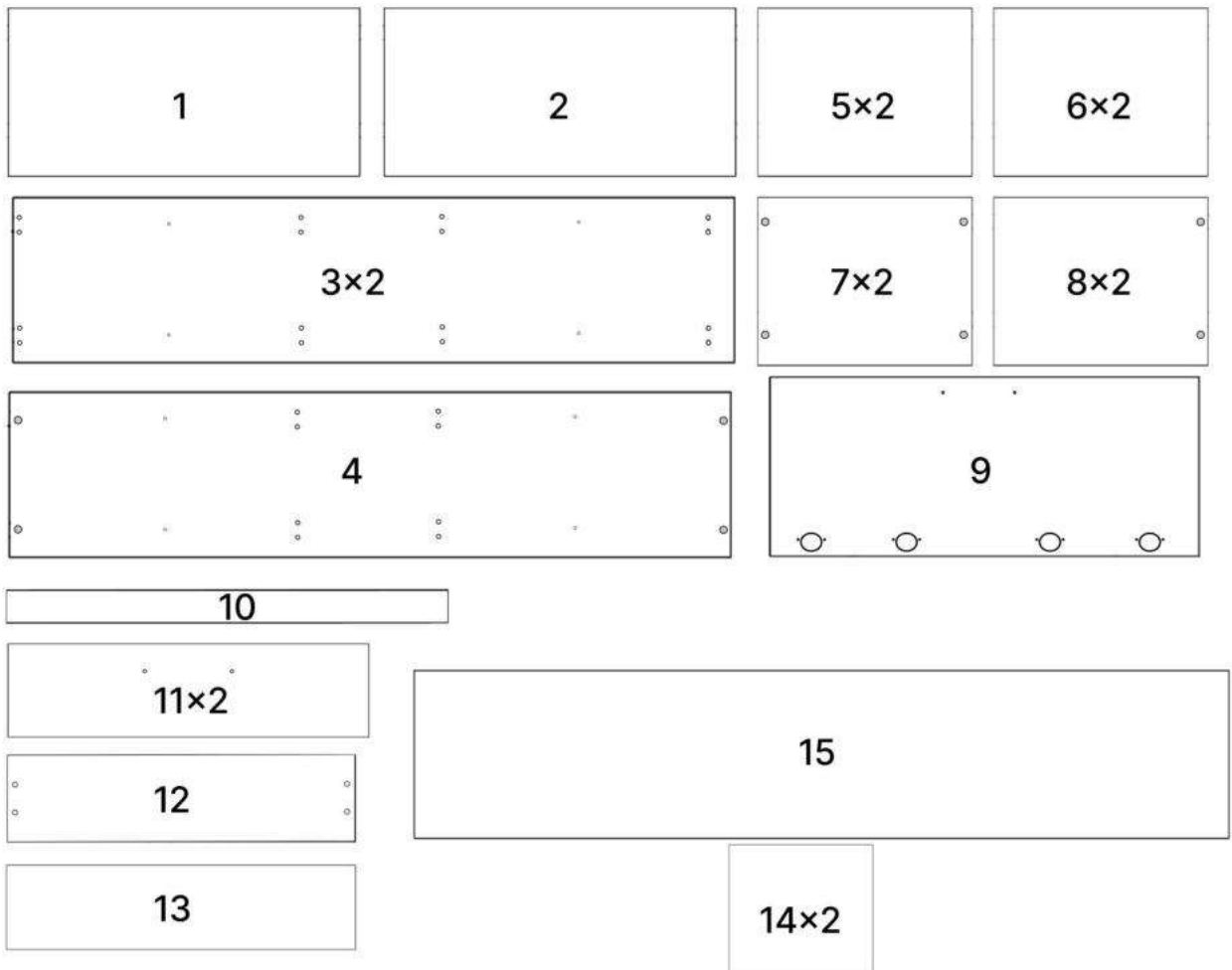
O x4



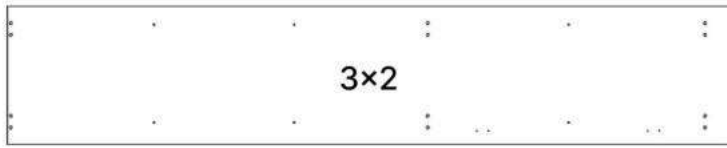
P x4



P x2



No	Denumire	Dimensiuni	Buc
1	Placa superioară	764x380	1
2	Placă inferioară	764x380	1
3	Placă lateral	2000x380	2
4	Placă intermediară	1900x380	1
5	Polița	373x380	2
6	Polița	373x370	2
7	Polița fixă	373x380	2
8	Polița fixă	373x370	2
9	Ușa	1932x397	1
10	Plinta	764x64	1
11	Fața sertar	190x397	2
12	Placă sertar	311x120	4
13	Placă sertar	350x120	4
14	Spate sertar (PFL)	348x345	2
15	Spate corp (PFL)	1934x798	1



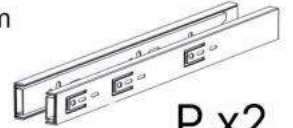
A x16 C x16 J x8
3.5*16mm



O x4

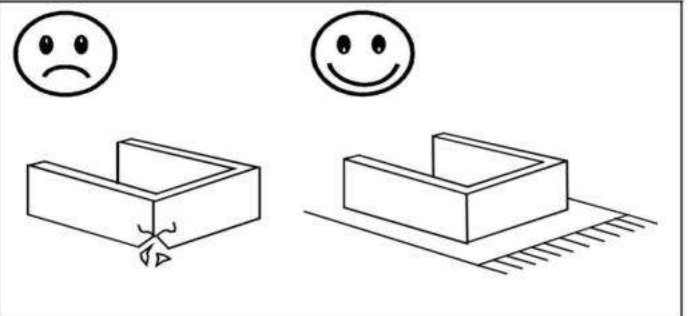
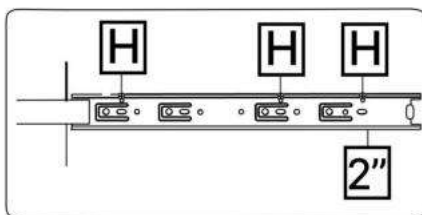
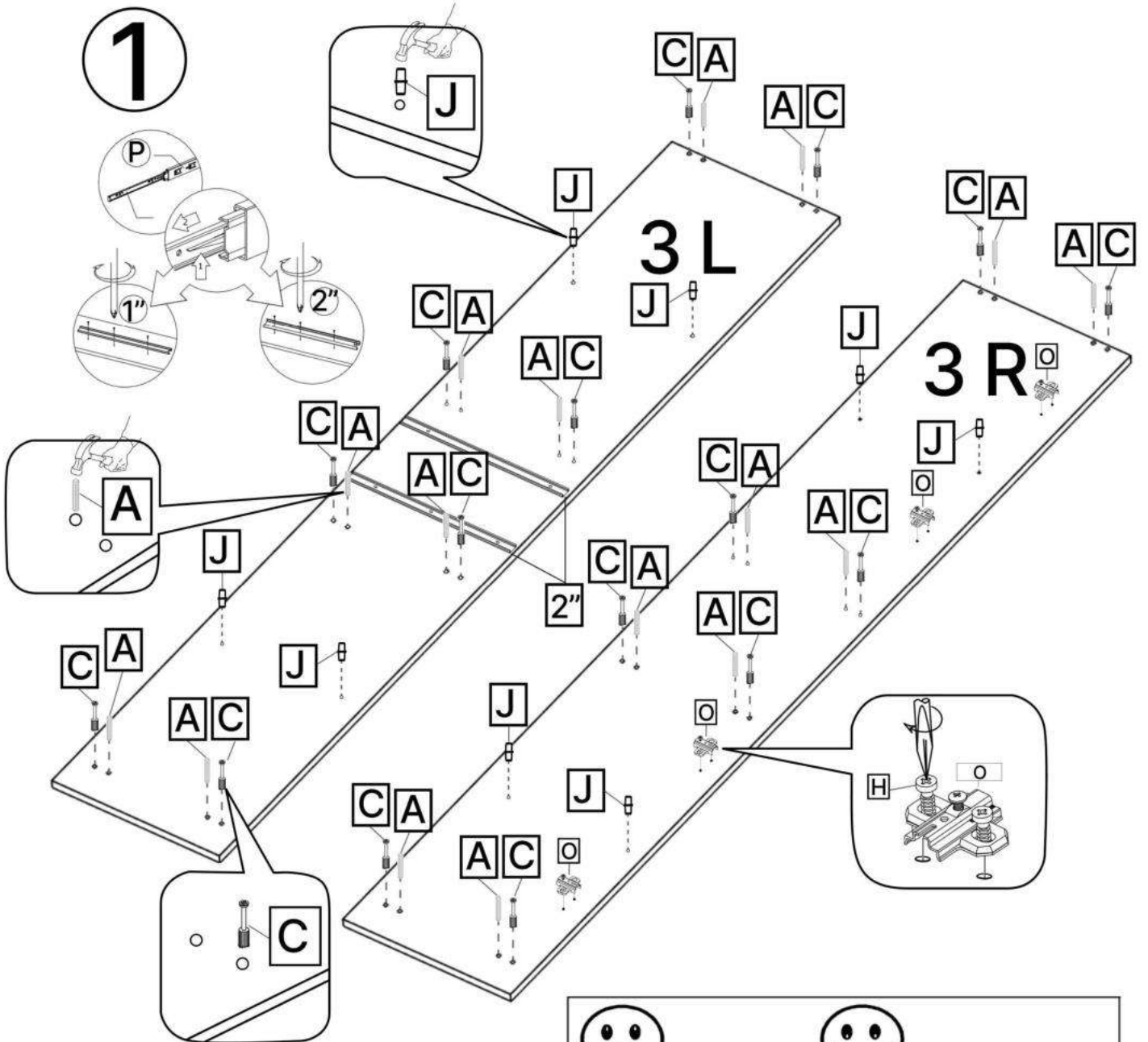


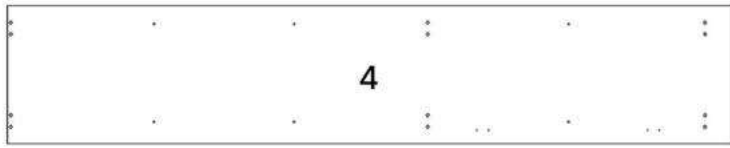
H x14



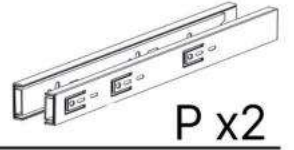
P x2

1





A x4 C x4 J x8
3.5*16mm

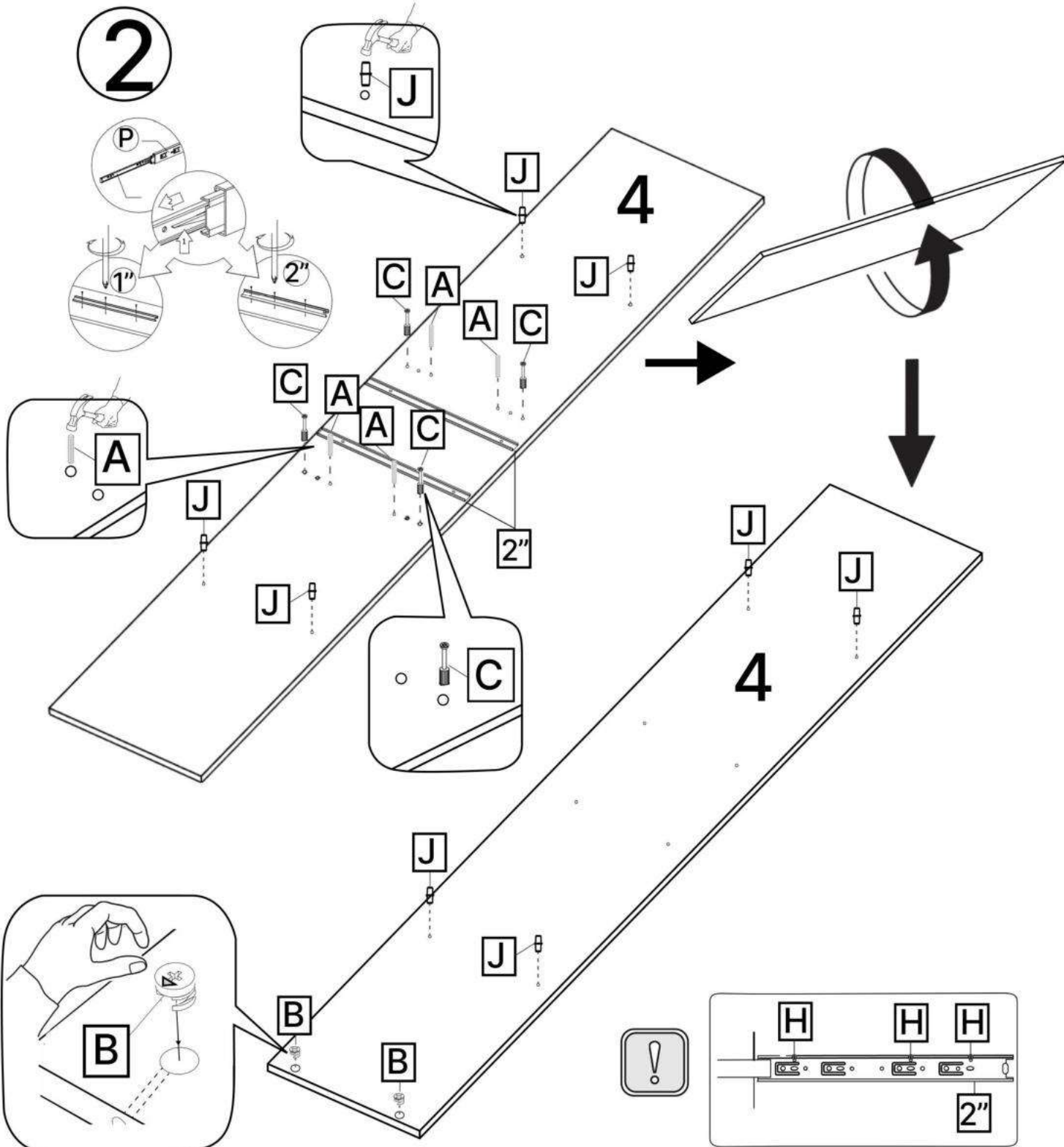


B x4

H x14

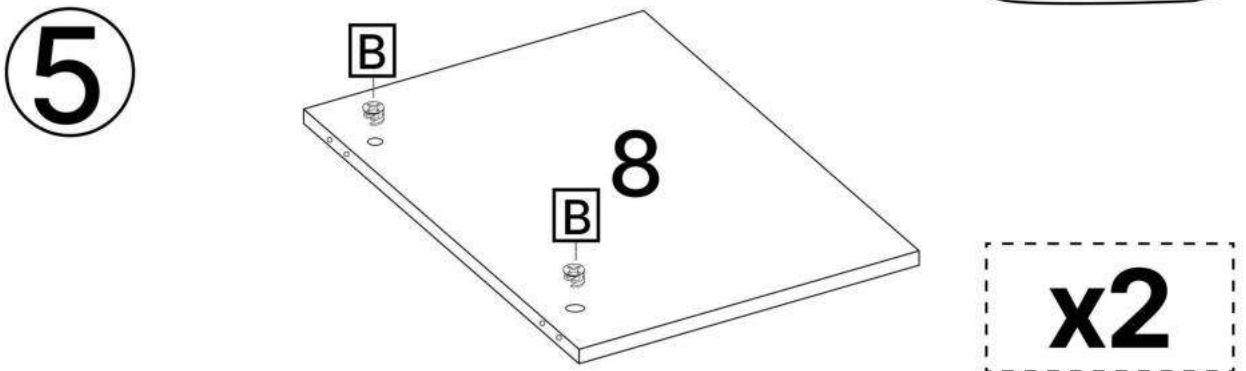
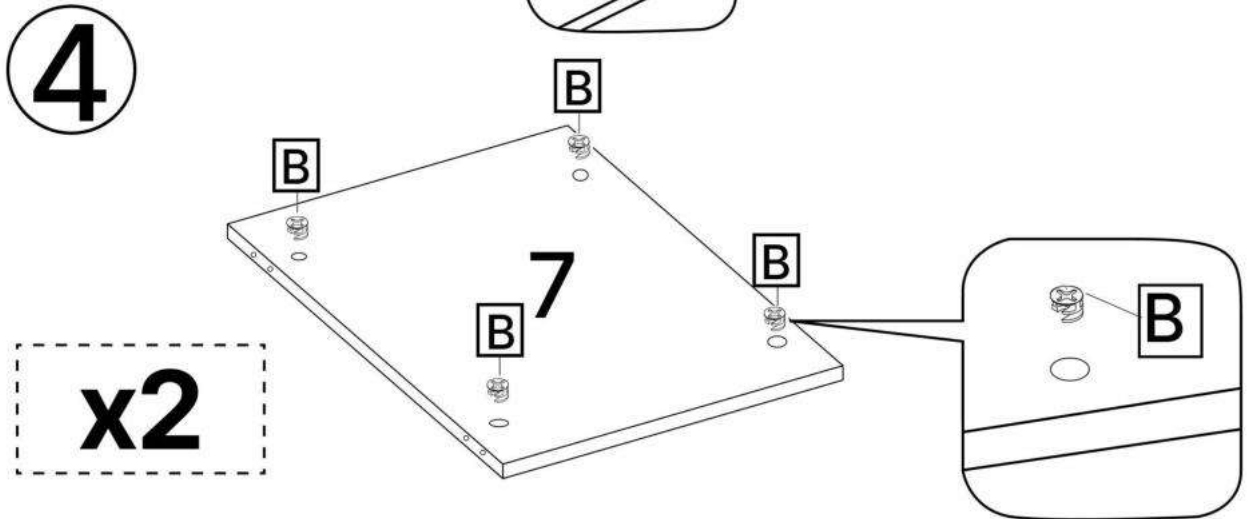
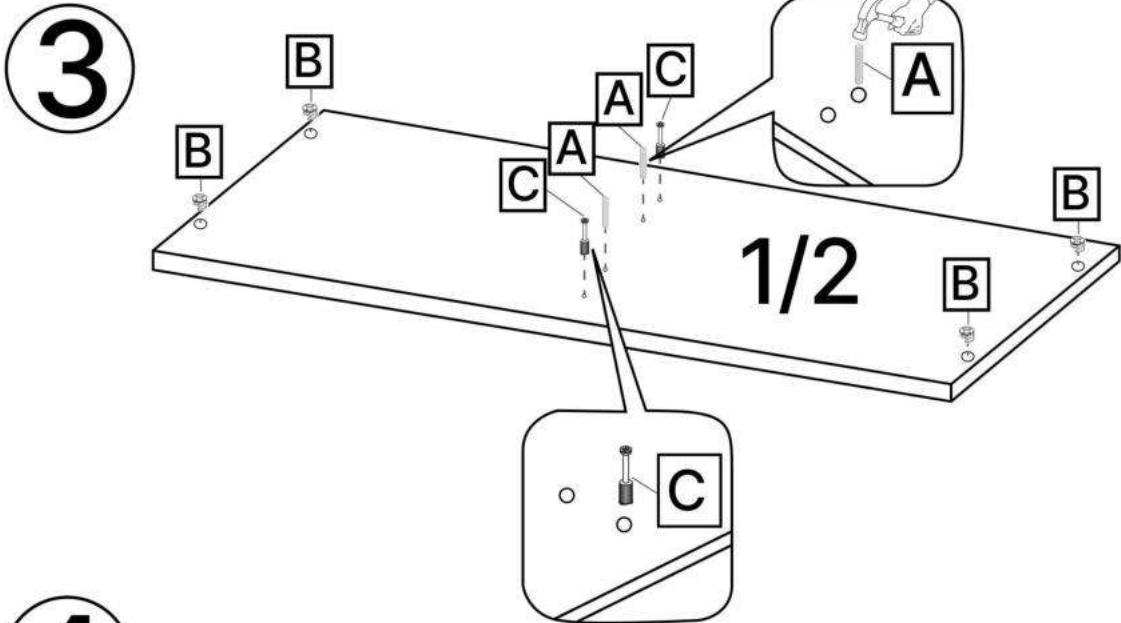
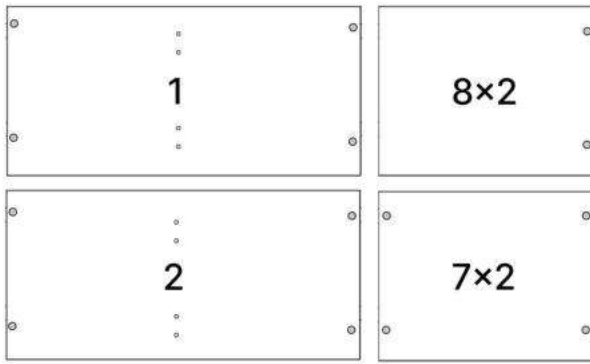
P x2

2

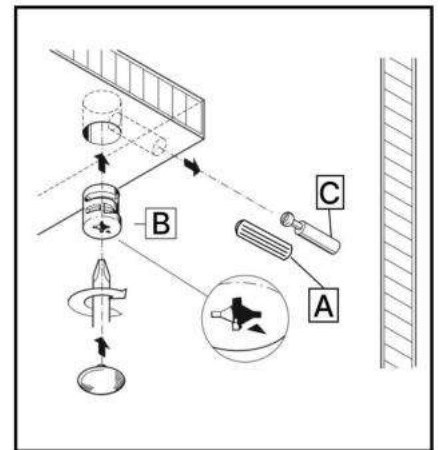
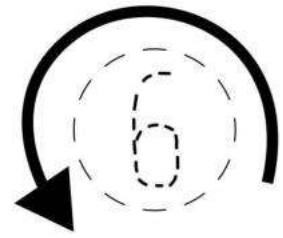
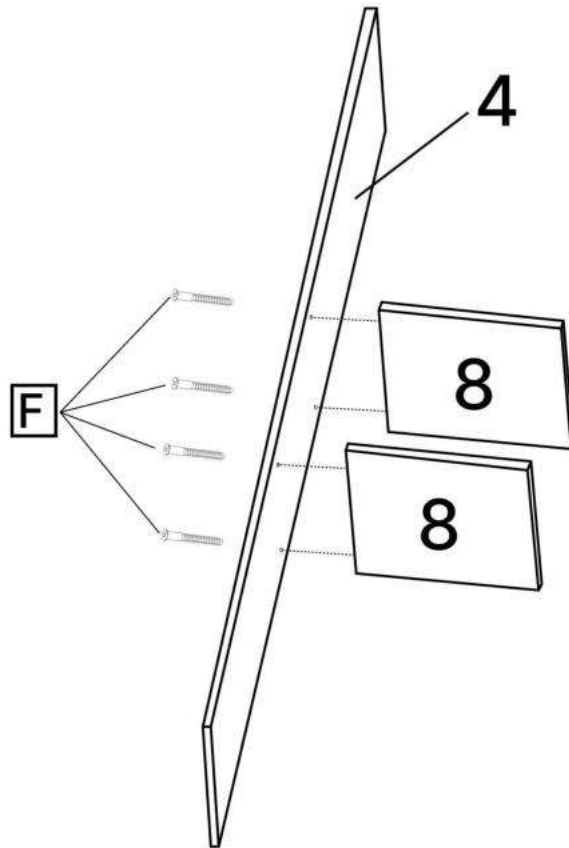


OFFICE LINE 4

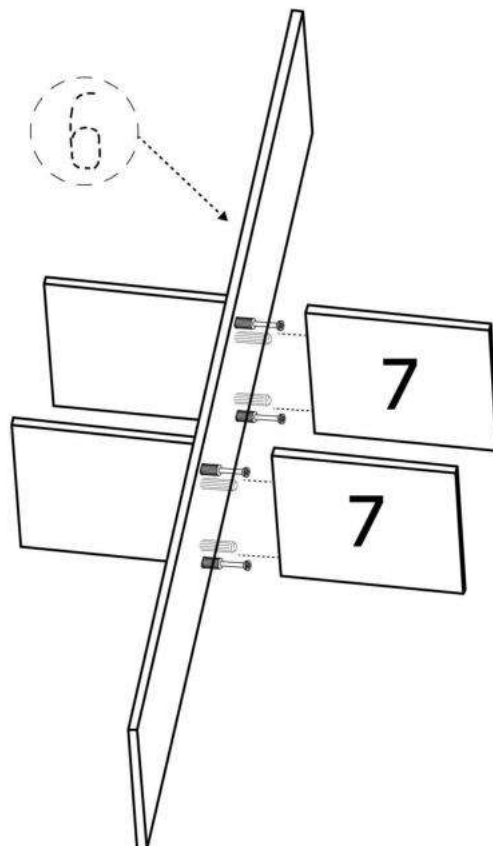
5



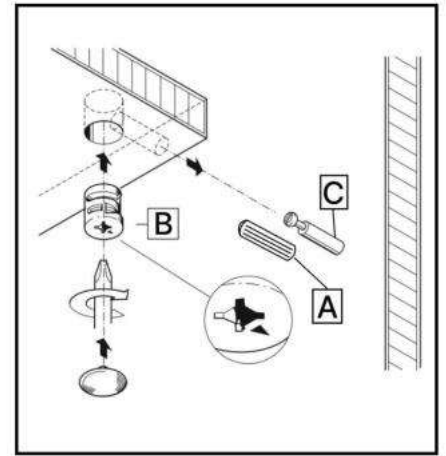
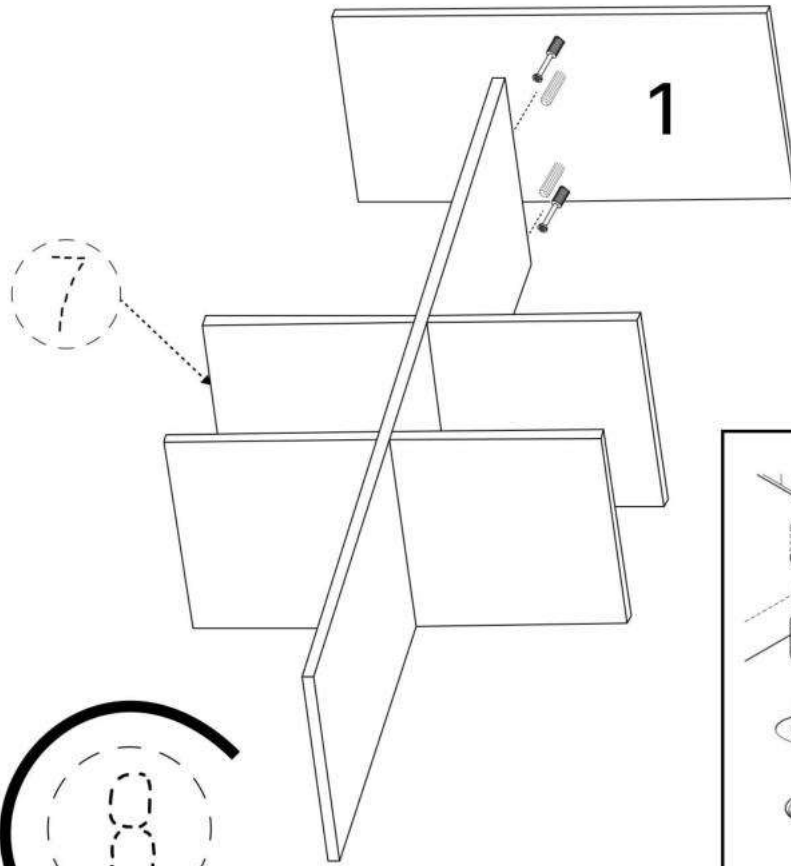
6



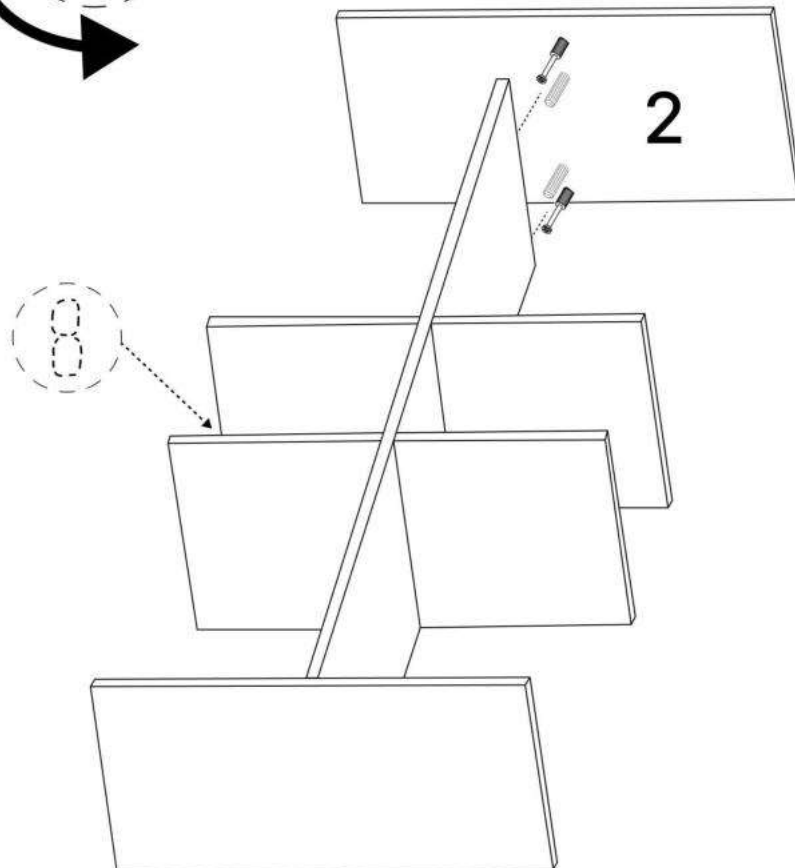
7



8

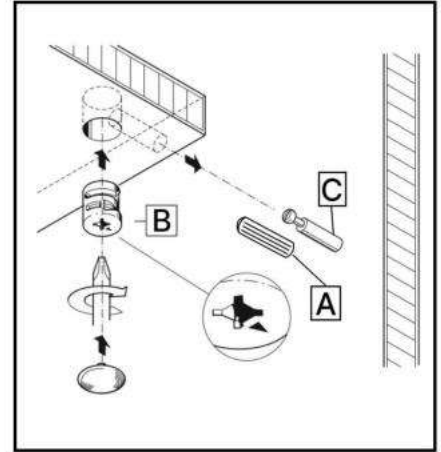
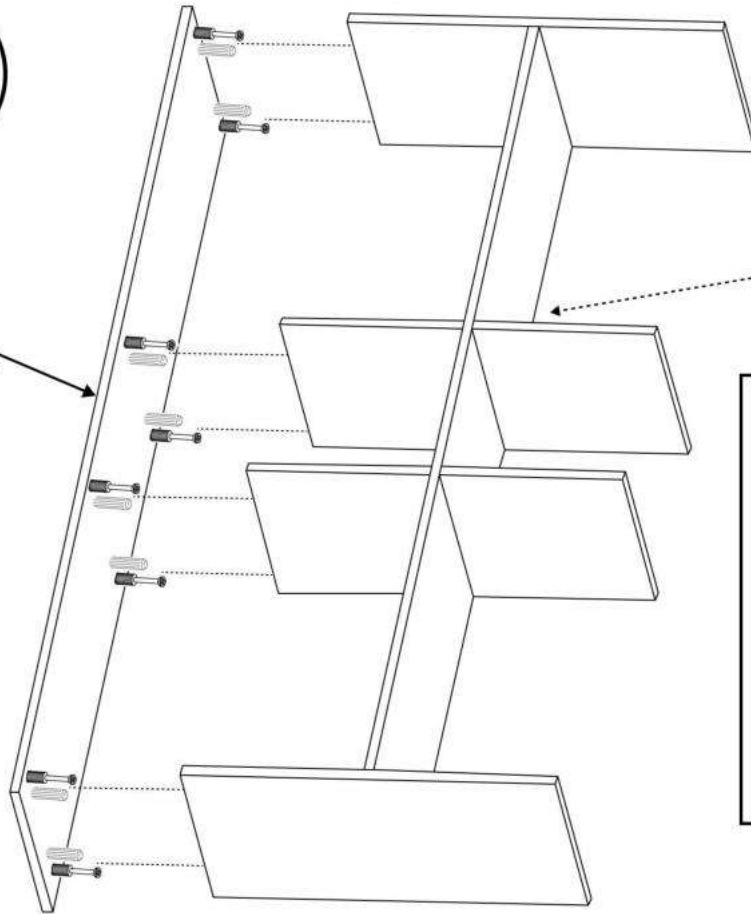


9



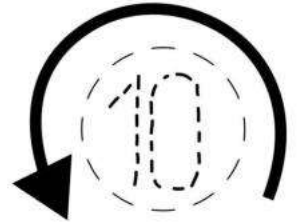
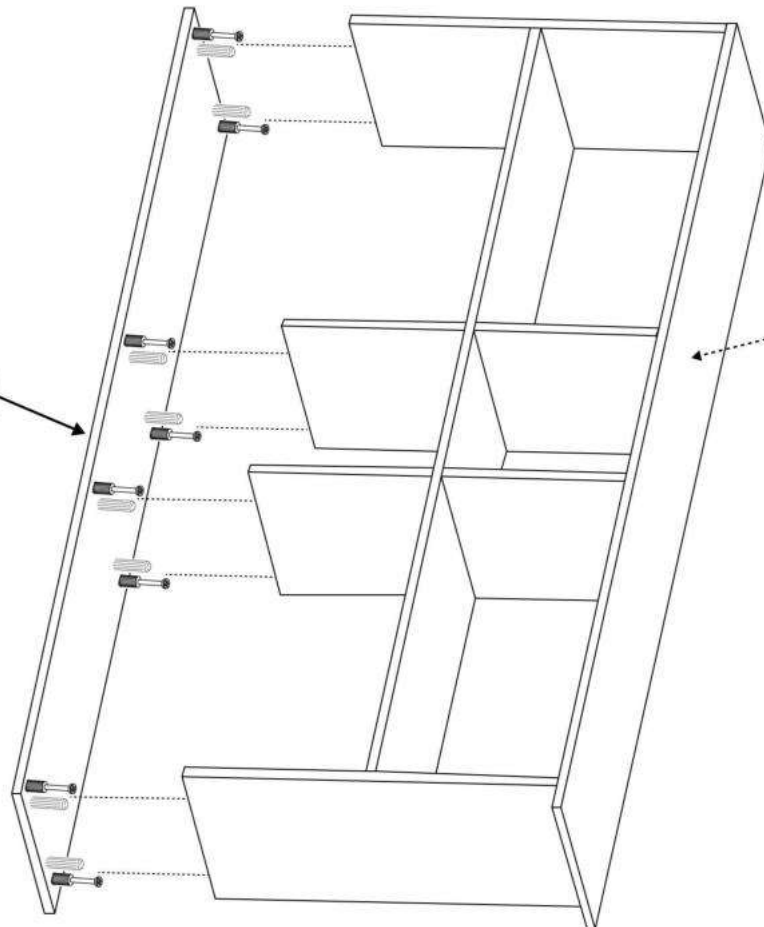
10

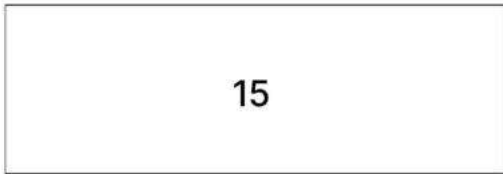
3 L



11

3 R





15



P x4

3.5*16mm



H x16



L x50gr.



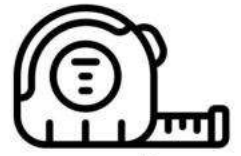
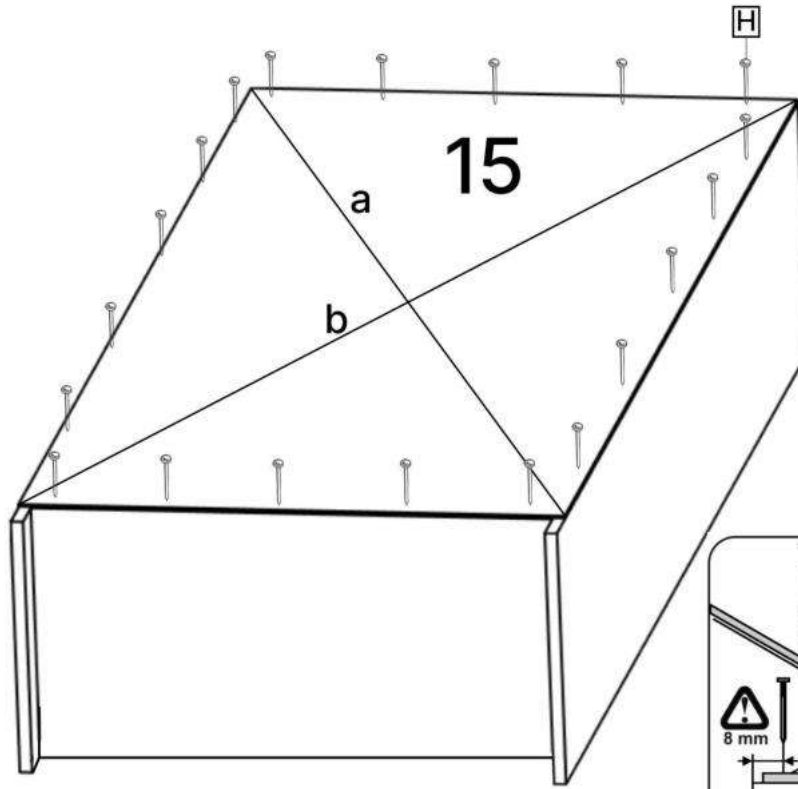
E x4

3.5*20mm

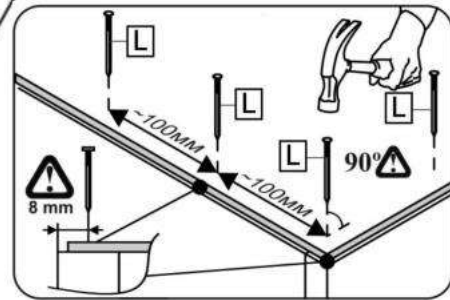


K x8

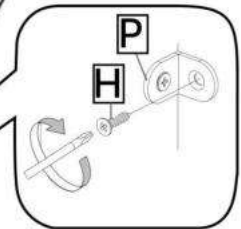
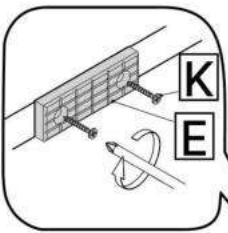
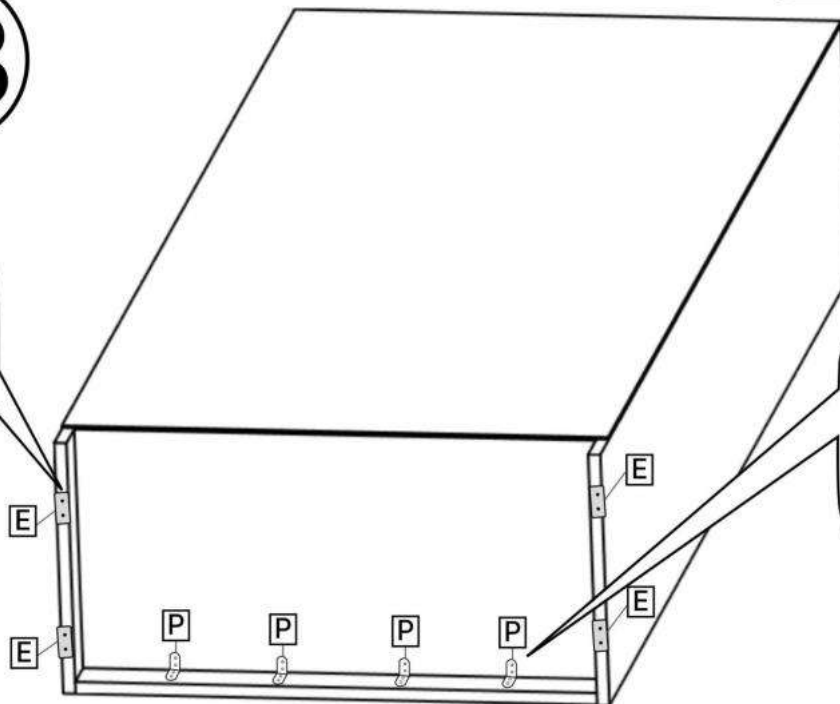
12



a=b



13



13x4

14x2

12x4



A x2

6.3x50mm

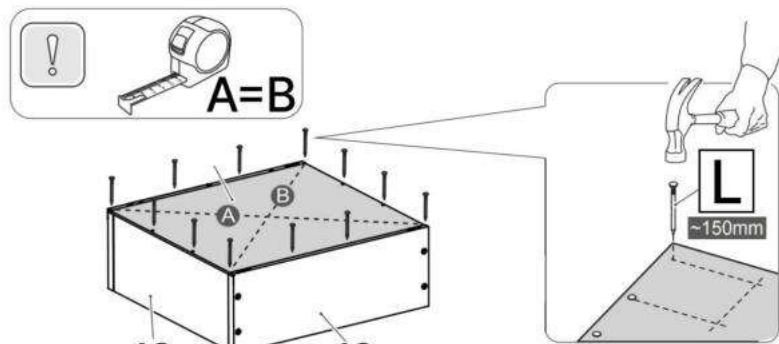
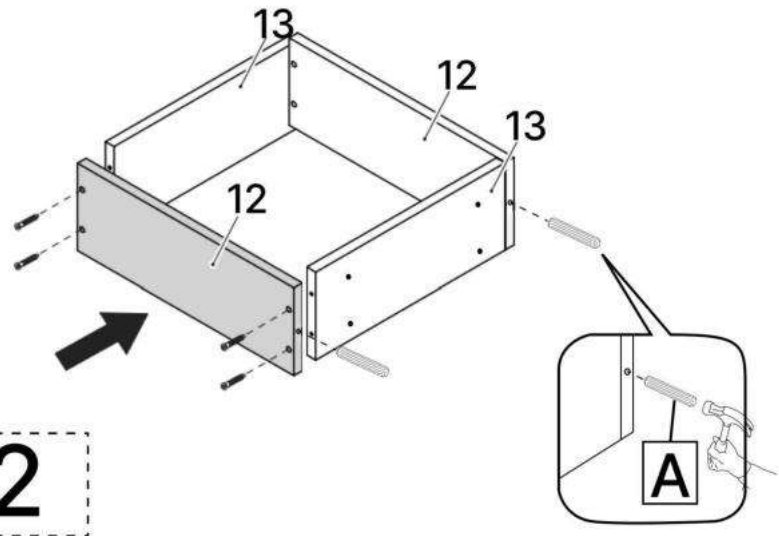
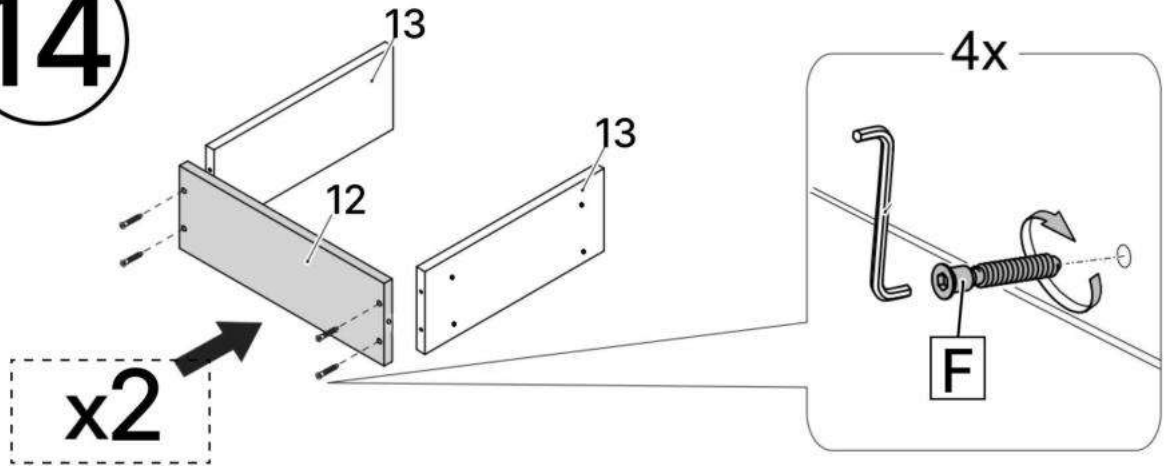


F x16



L x20gr.

14



x2

11x2

3.5*16mm

3.5*30mm

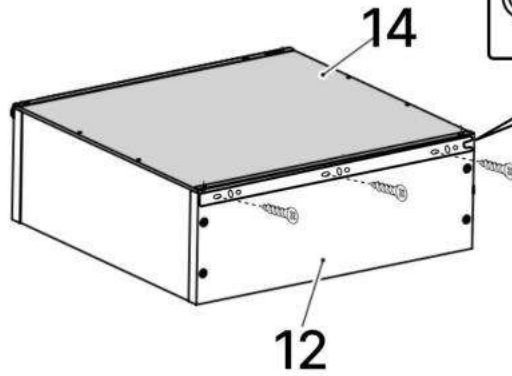
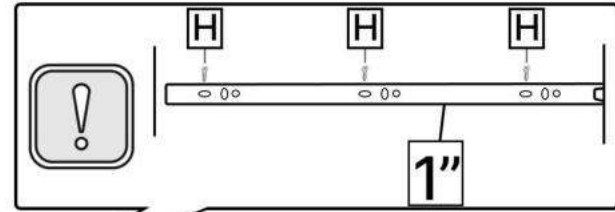


H x12

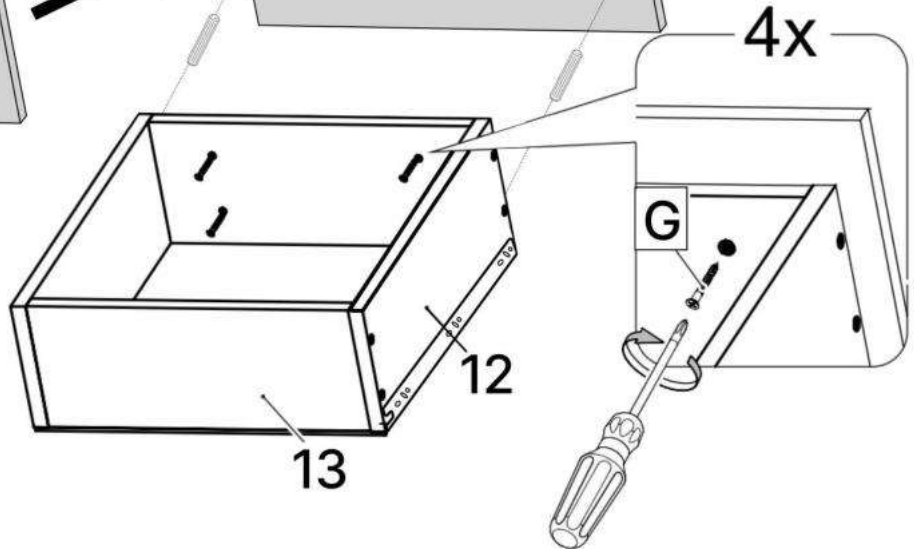
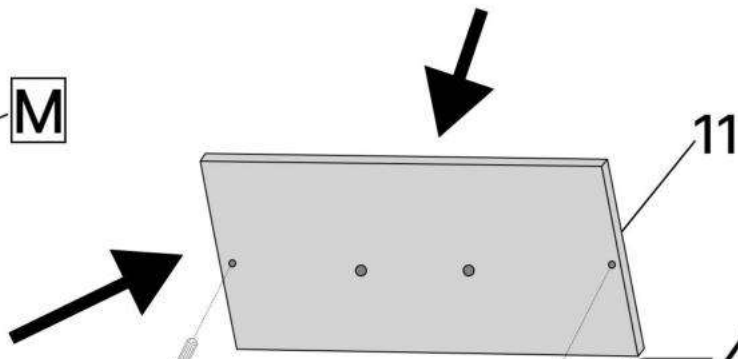
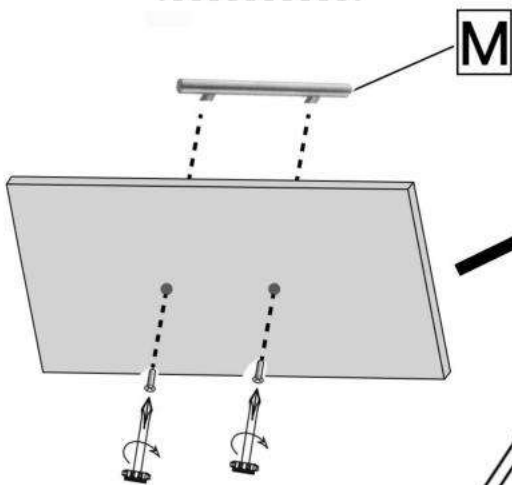
G x16

M x2

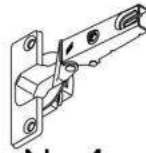
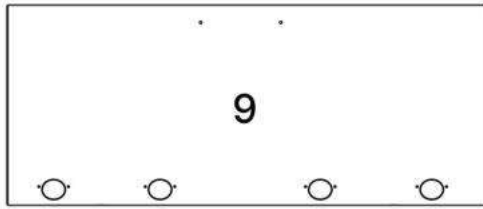
15



x2



x2



N x4



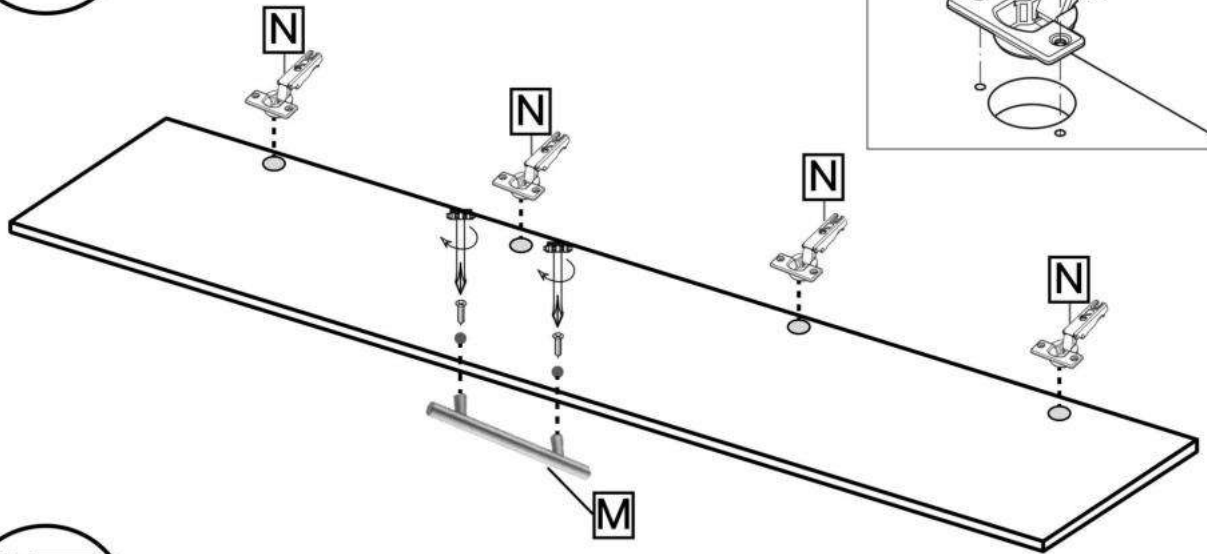
M x1

3.5*16mm



H x8

16



17

