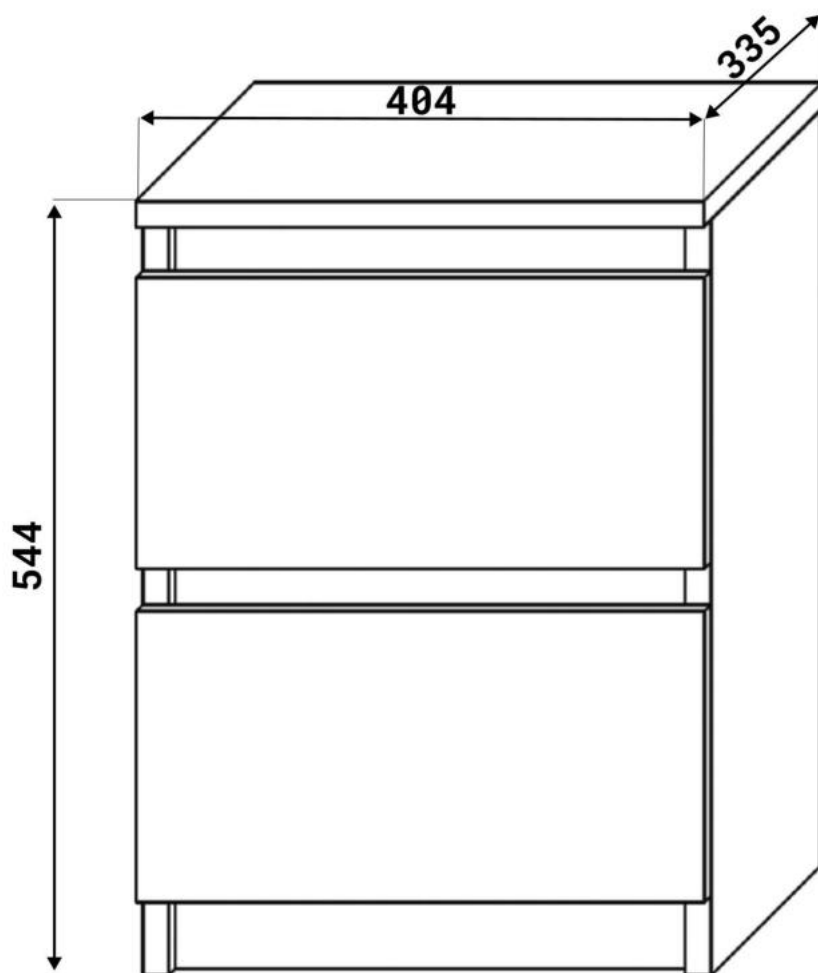


# NOPTIERA "HAVANA"



Adrese:  
Prospectul Republicii, 33  
Cahul, Moldova

str. Petricani 17/4  
Chisinau, Moldova

MD-3909

[serviceclient@fabrikhome.md](mailto:serviceclient@fabrikhome.md)  
[www.fabrikhome.md](http://www.fabrikhome.md)

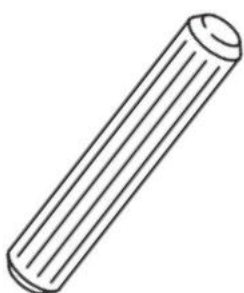
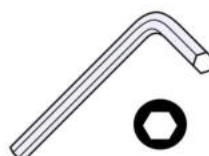
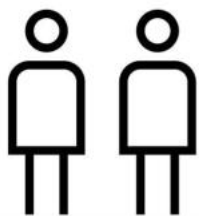
Serviciu clienti:  
+373 299 32 277  
+373 799 07 807

Control calitate:  
+373 798 82 000



**Fabrik Home**

Mobila. Decor. Opinia.  
S.C. "Interstepcom" S.R.L.



A x16



B x16



C x16

6.3\*50mm

3.5\*20mm



D x4



E x24



F x8

3.5\*16mm

3.5\*30mm



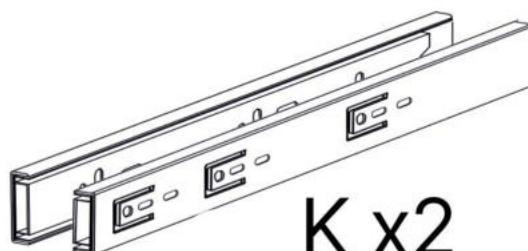
G x24



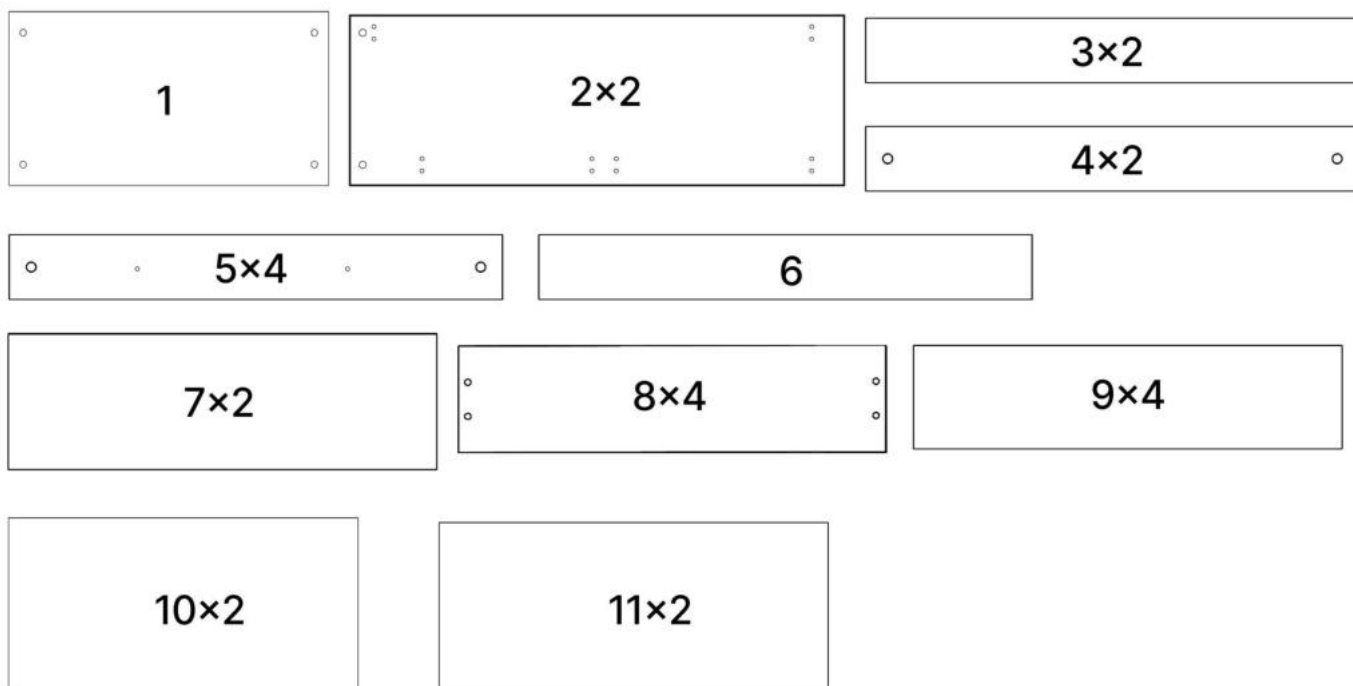
H x8



J x10gr.

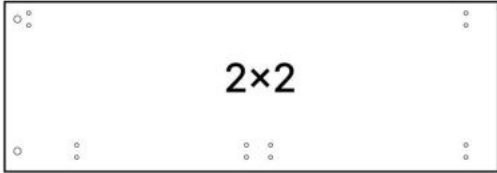


K x2

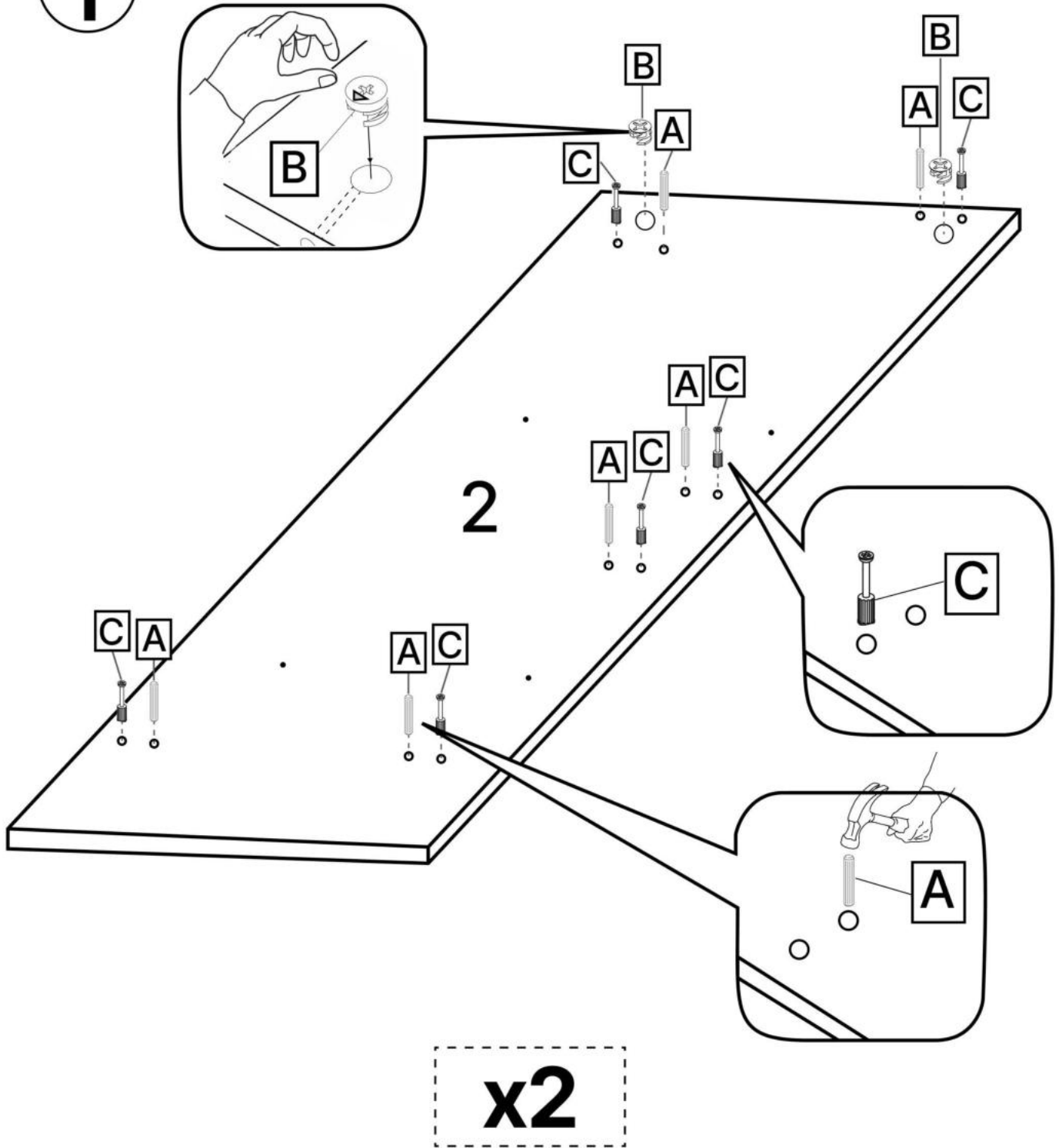


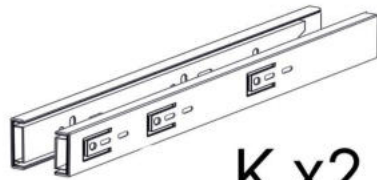
No	Denumire	Dimensiuni	Buc
1	Placă superioară	404x335	1
2	Perete lateral	526x310	2
3	Placă corp	364x45	2
4	Placă corp	364x100	2
5	Placă corp	364x100	4
6	Placă plintă	364x56	1
7	Fața sertar	397x205	2
8	Placă sertar	300x120	4
9	Placă sertar	302x120	4
10	Spate sertar (PFL)	336x298	2
11	Spate corp (PFI)	468x199	2





1





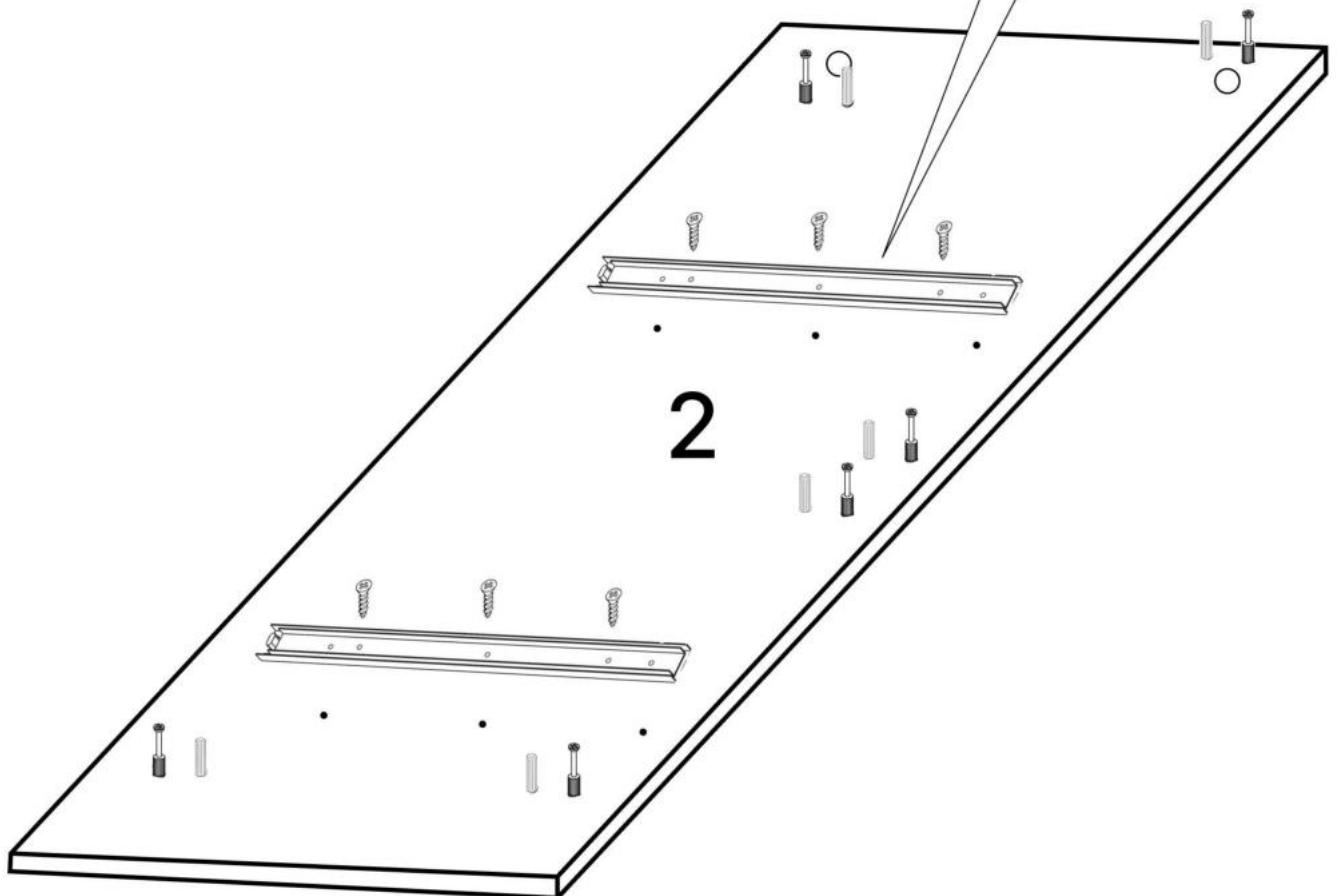
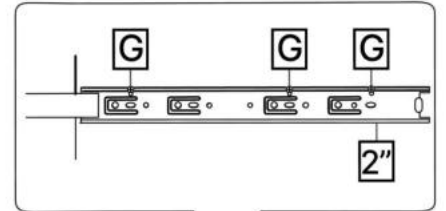
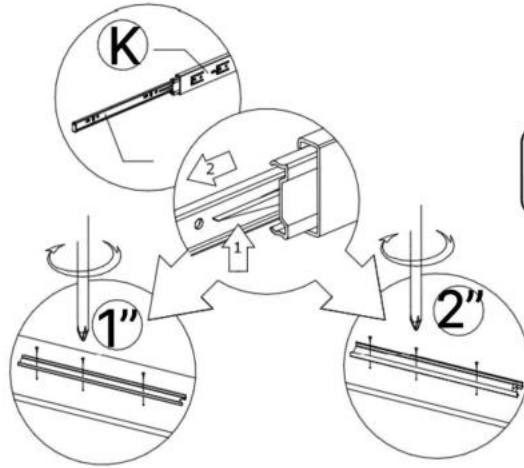
K x2

3.5\*16mm

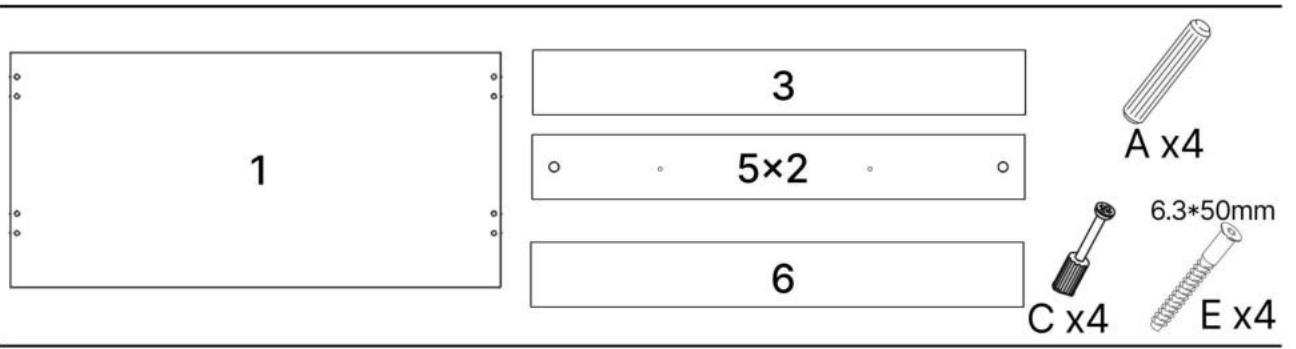


G x12

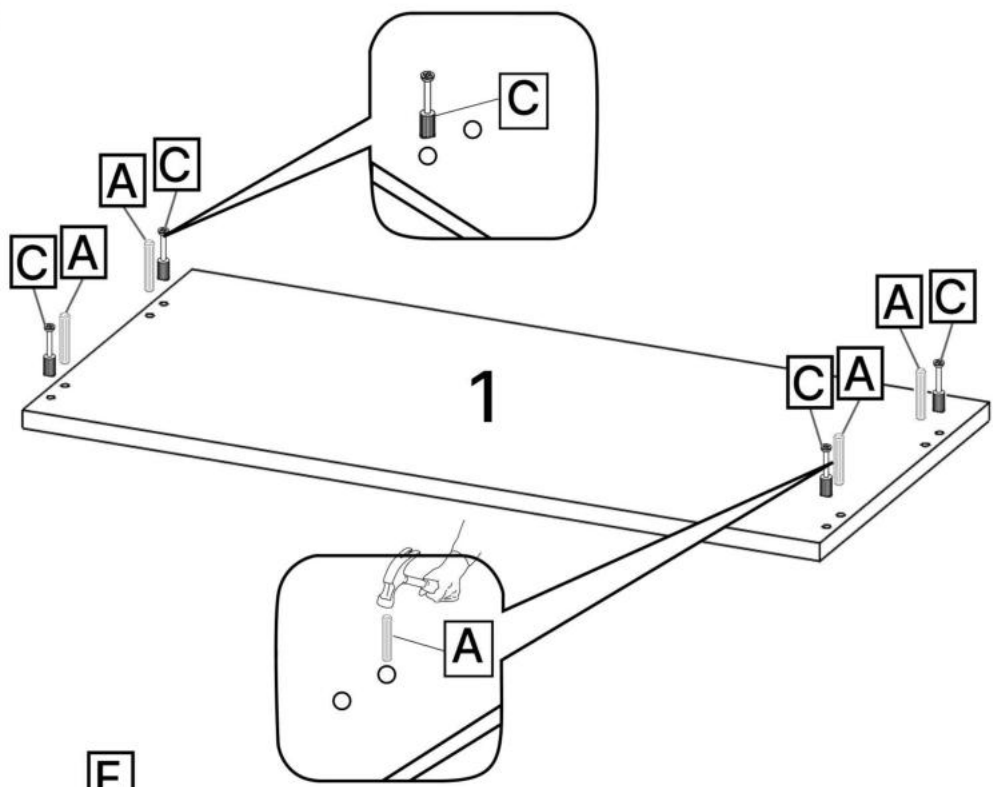
2



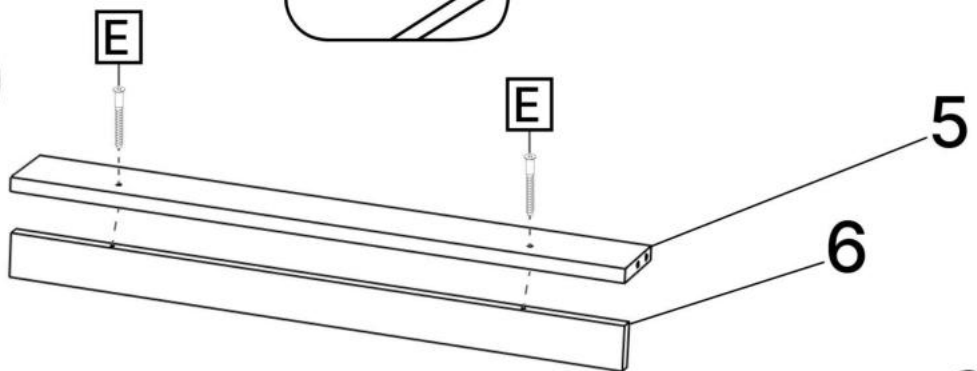
x2



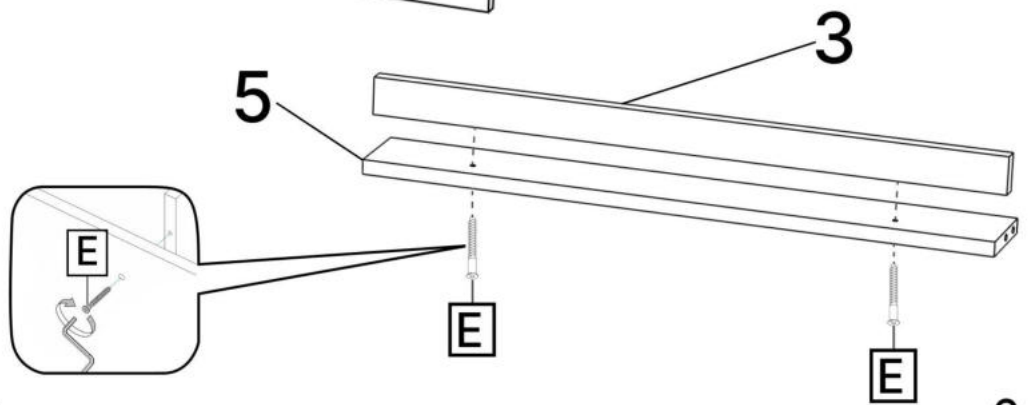
**3**

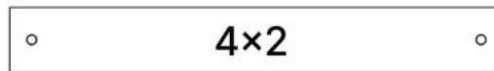
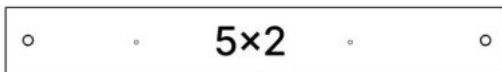


**4**



**5**



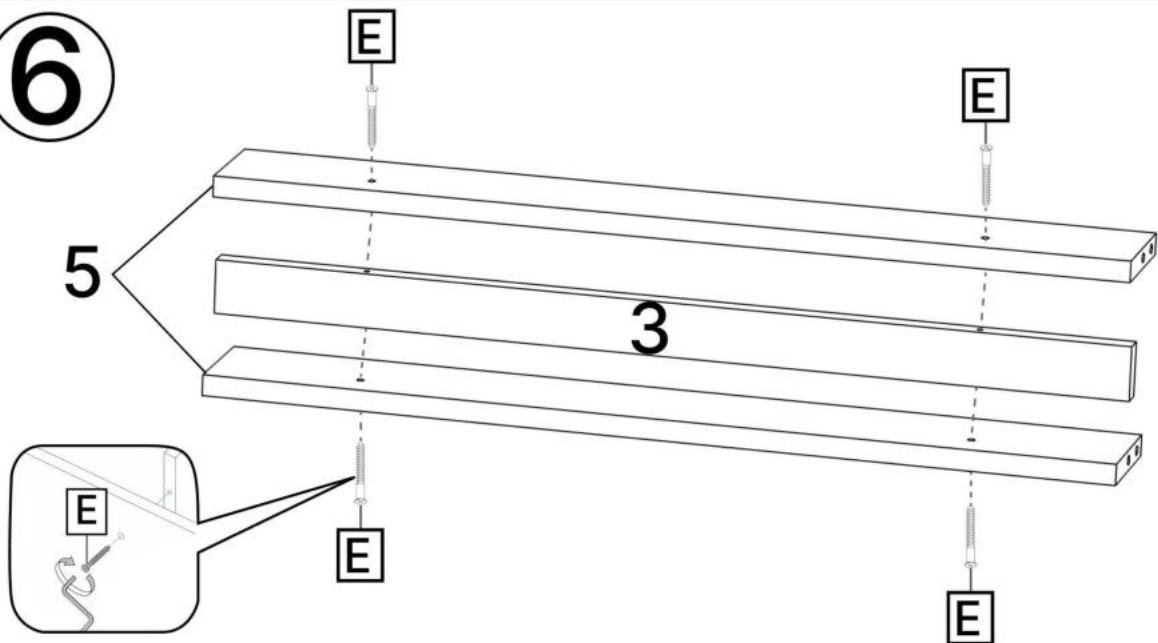


6.3\*50mm

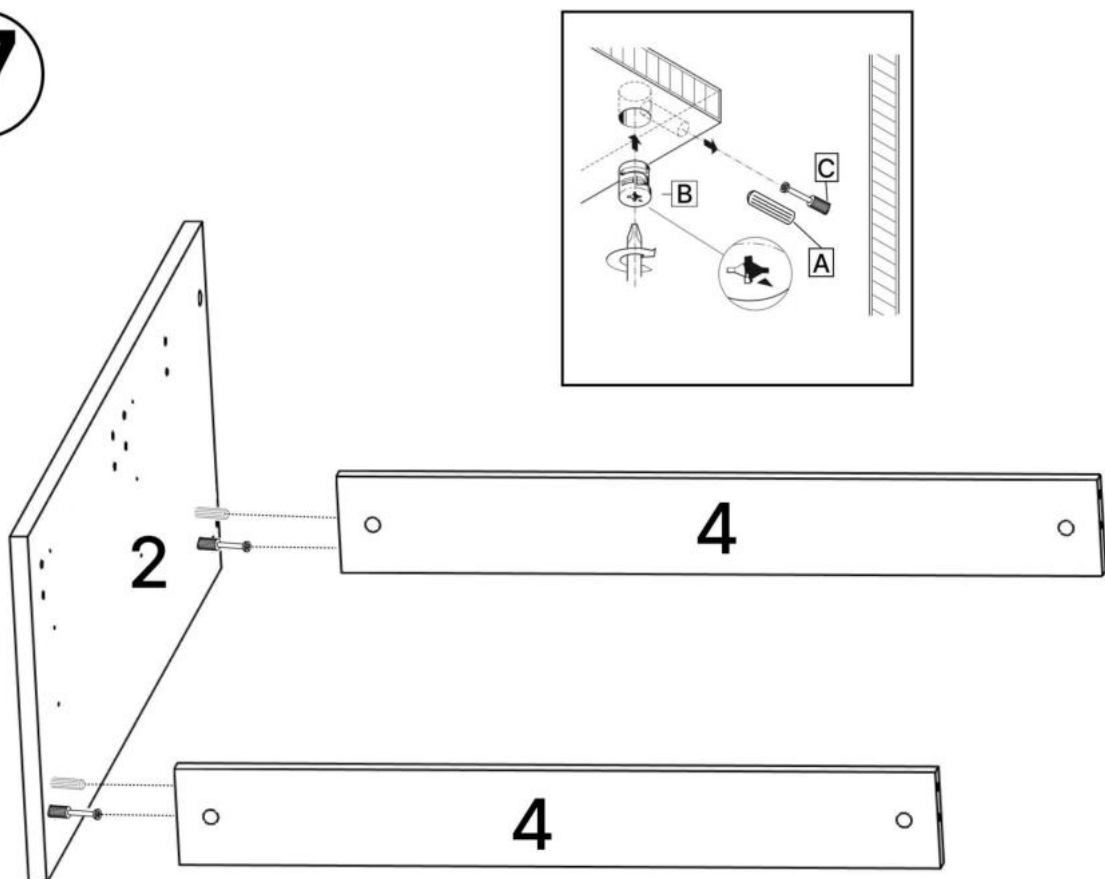


E x4

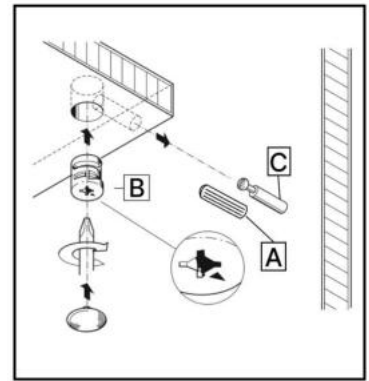
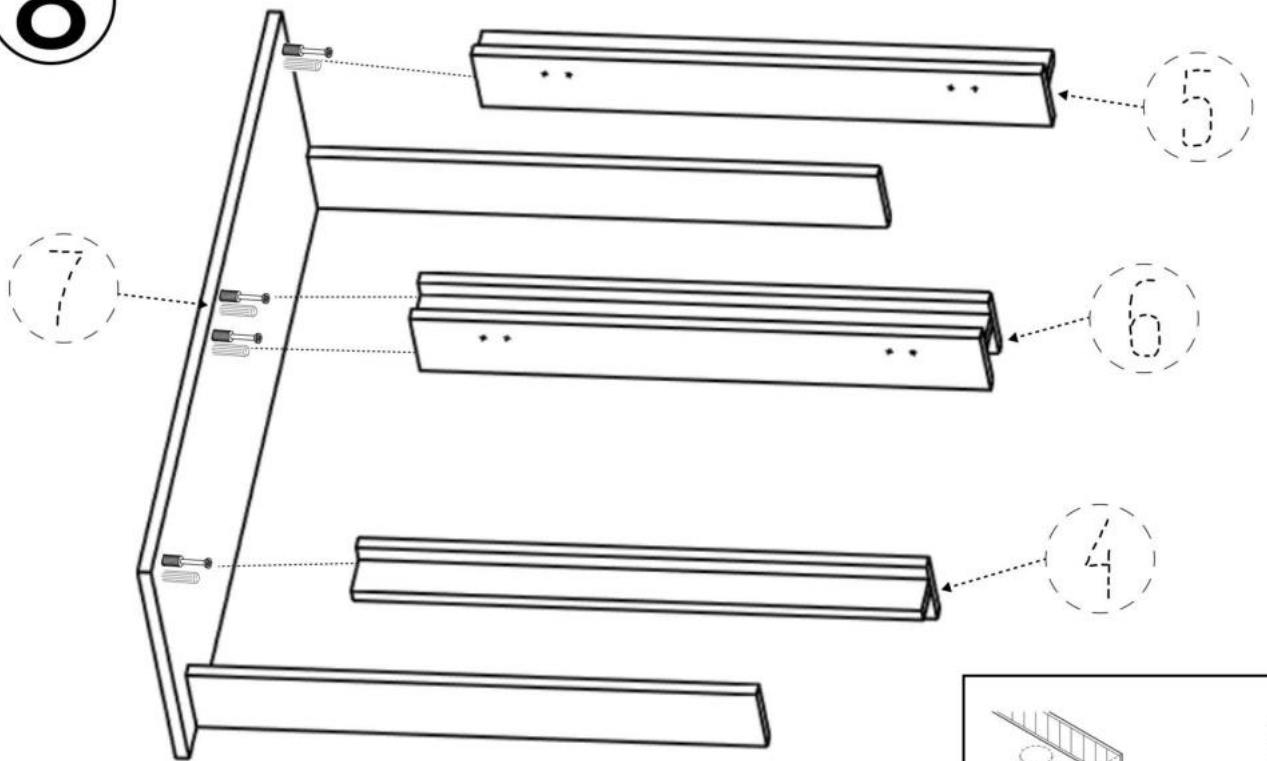
6



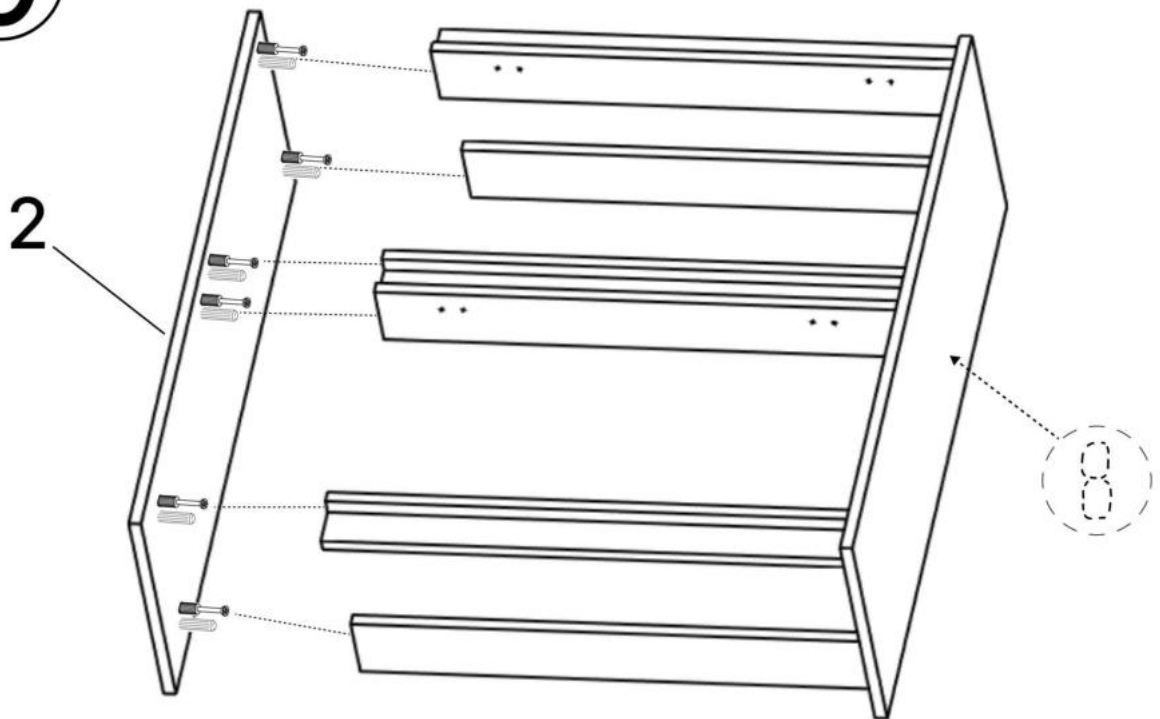
7



8



9



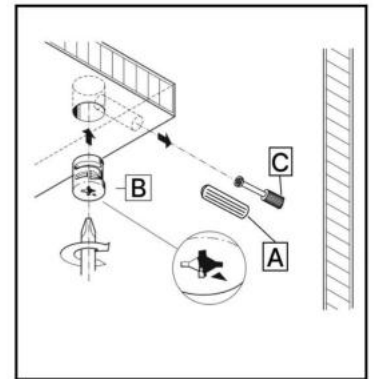
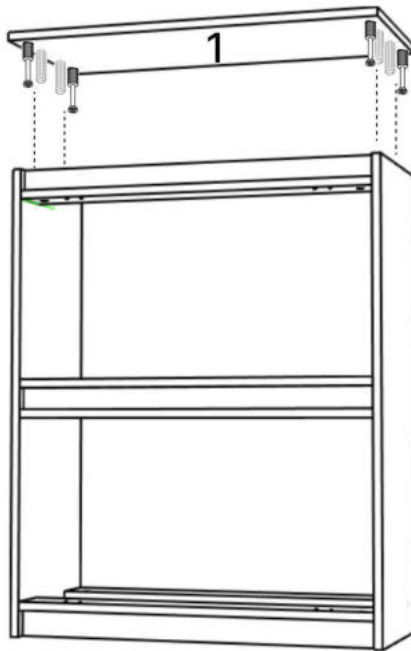
11x2

J x5gr.

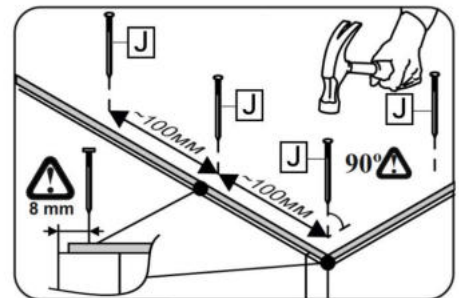
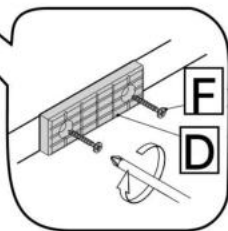
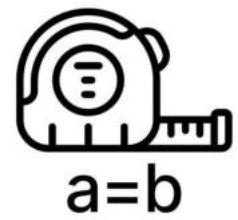
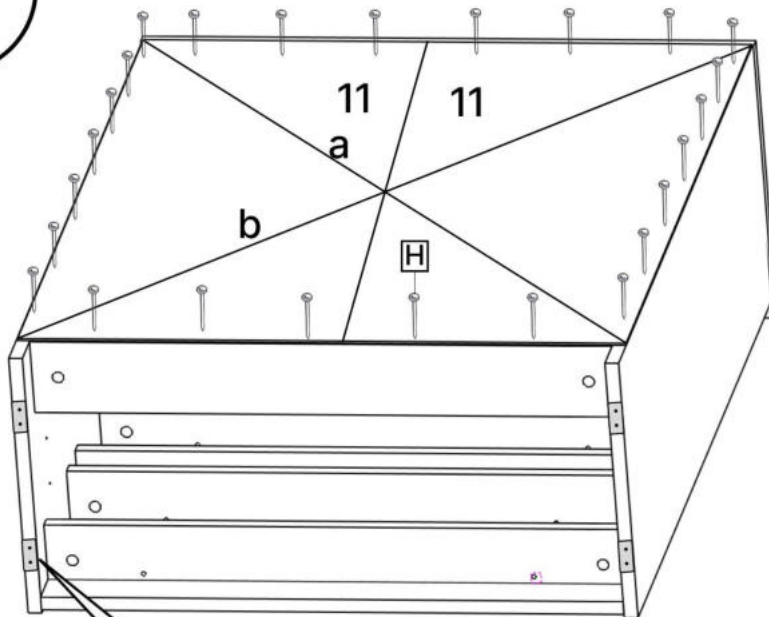
D x4

3.5\*20mm  
F x8

10



11



9x4

10x2

8x4



A x2

6.3\*50mm

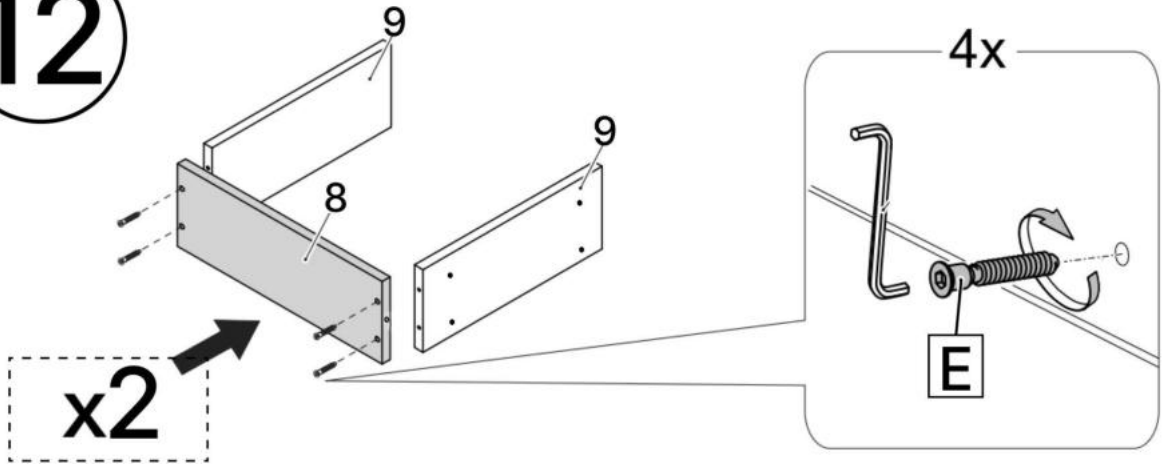


E x16

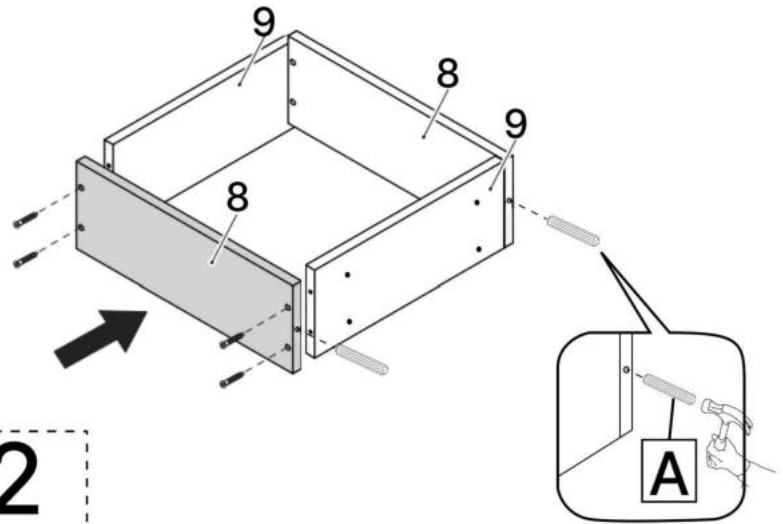


J x5gr.

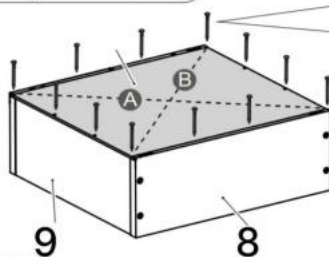
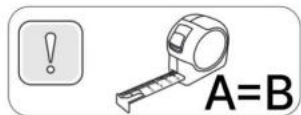
12



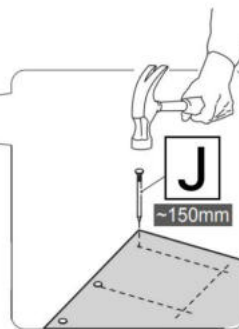
x2



x2



x2



7x2

3.5\*16mm

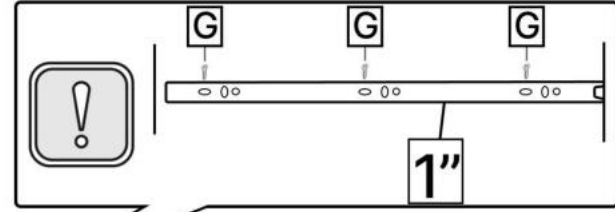
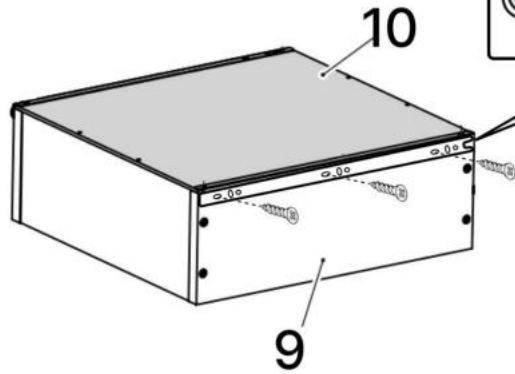
3.5\*30mm



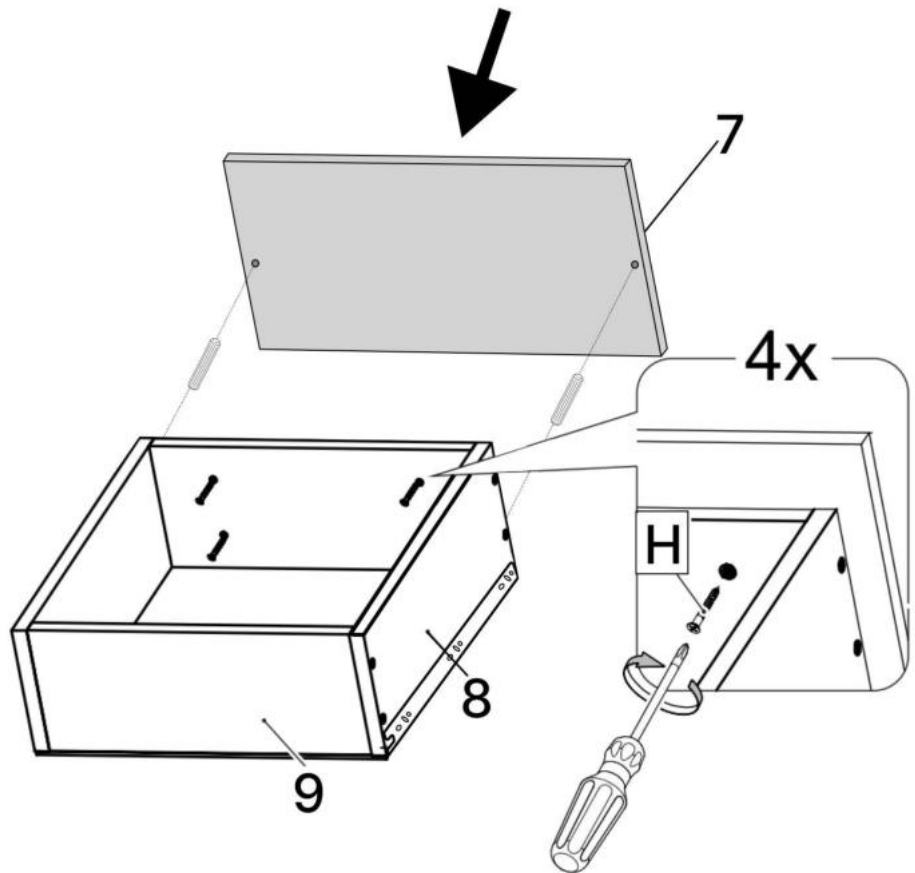
G x12

H x16

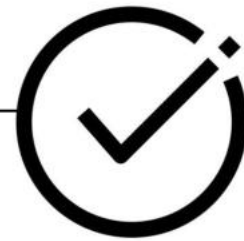
13



x2



x2



14

