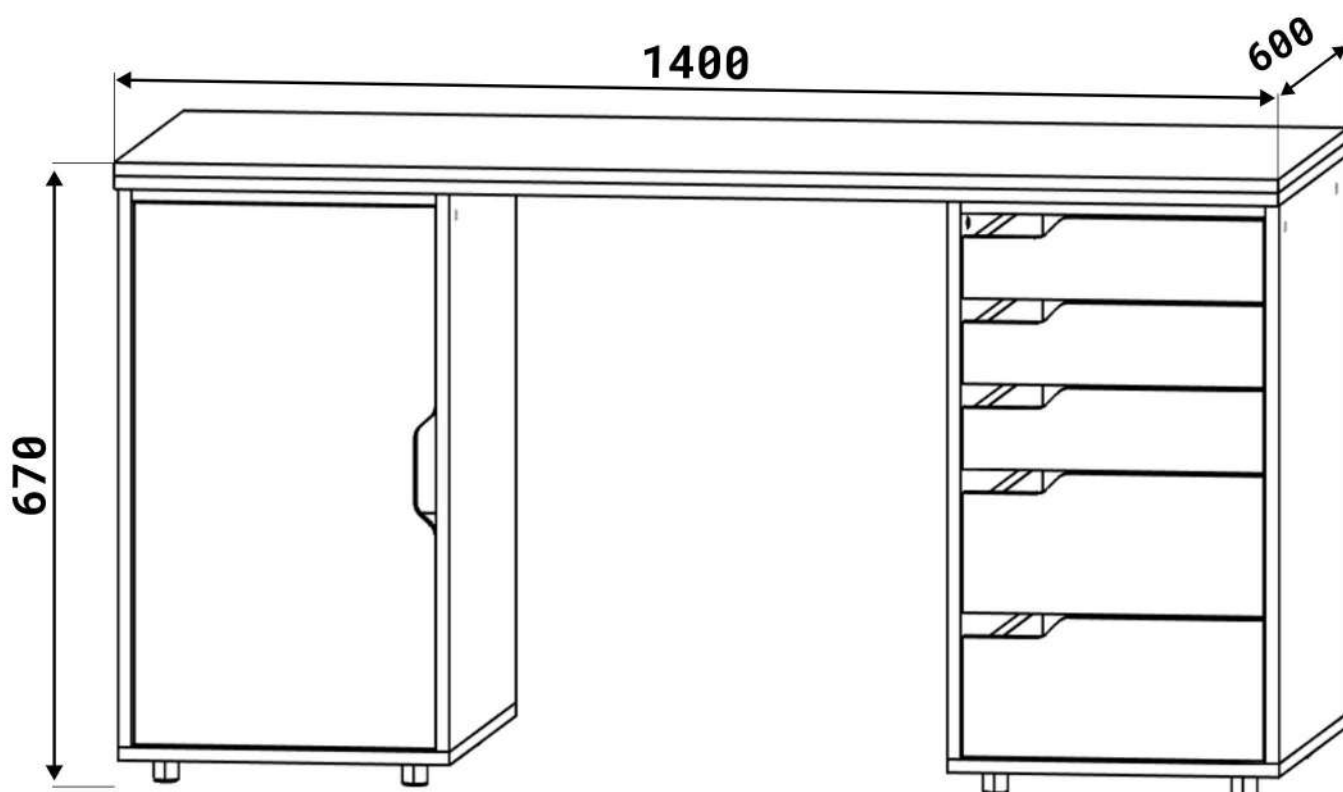


# Masa pentru calculator "Bristol"



Adrese:  
Prospectul Republicii, 33  
Cahul, Moldova

str. Petricani 17/4  
Chisinau, Moldova

MD-3909

serviceclient@fabrikhome.md  
www.fabrikhome.md

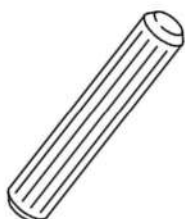
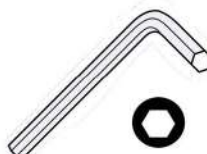
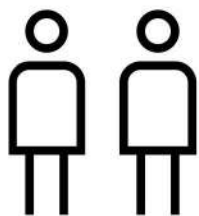
Serviciu clienti:  
+373 299 32 277  
+373 799 07 807

Control calitate:  
+373 798 82 000



**Fabrik Home**

Mobila. Decor. Opinia.  
S.C. "Interstepcom" S.R.L.



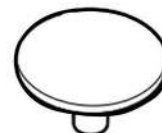
A x22



B x30



C x30



D x14

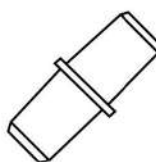


E x8

3.5\*16mm



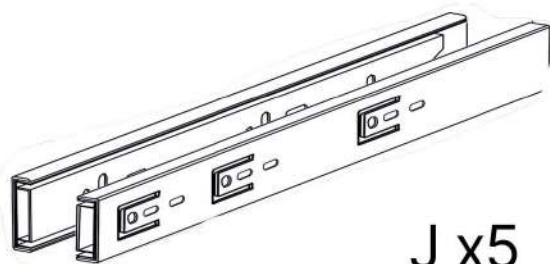
F x70



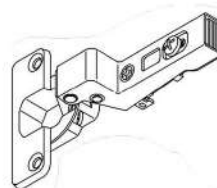
G x4



H x50gr.



J x5



K x2



L x2

6.3\*50mm



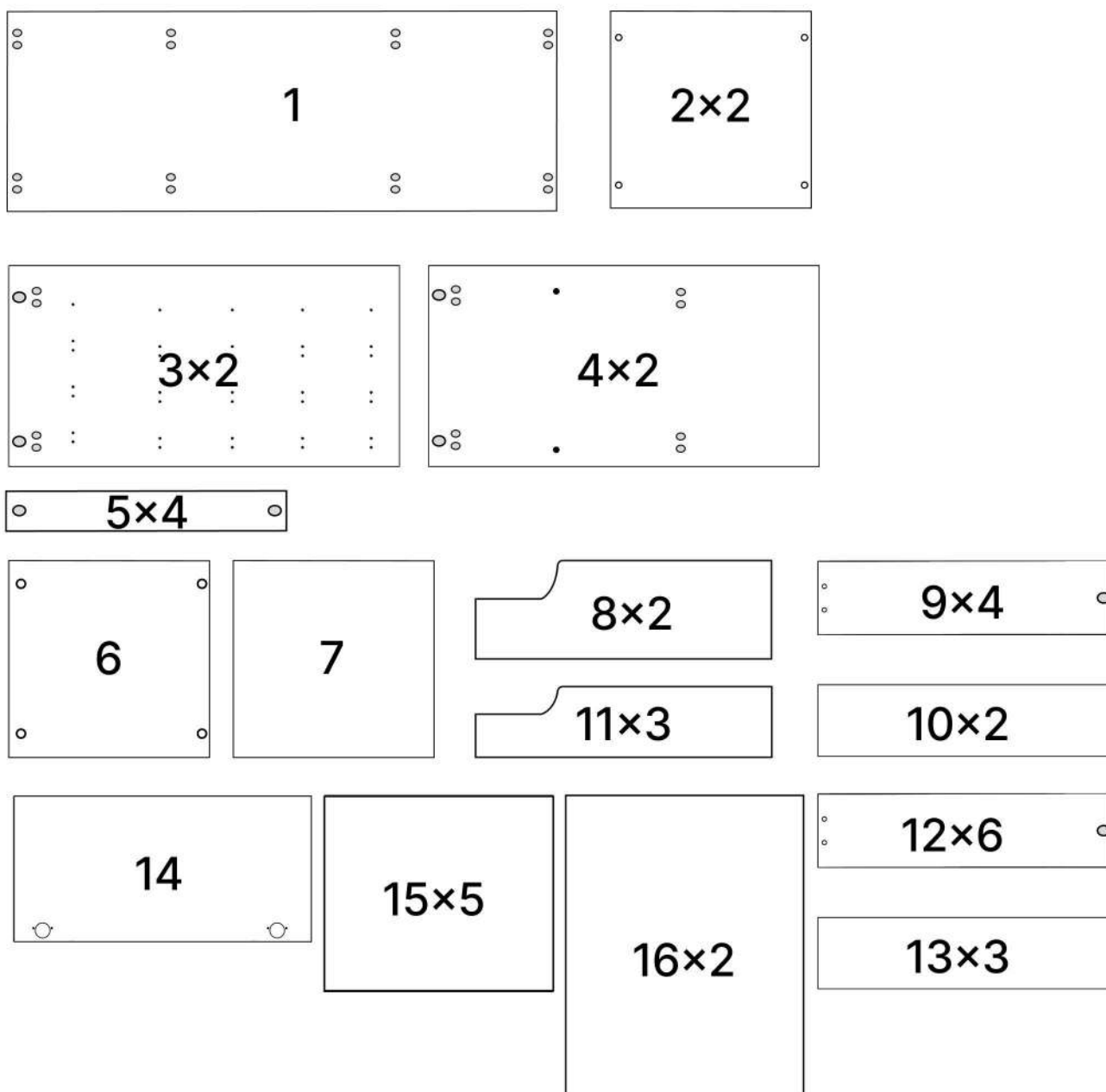
M x48

3.5\*30mm

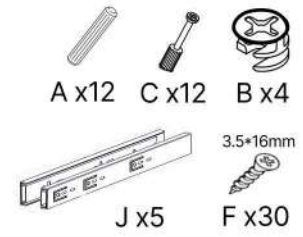
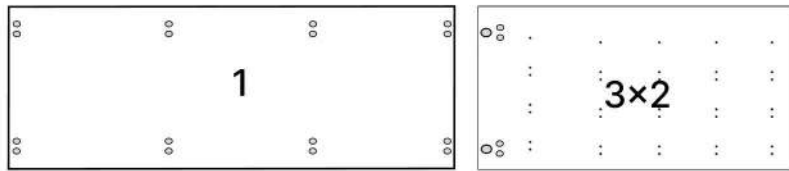


N x8

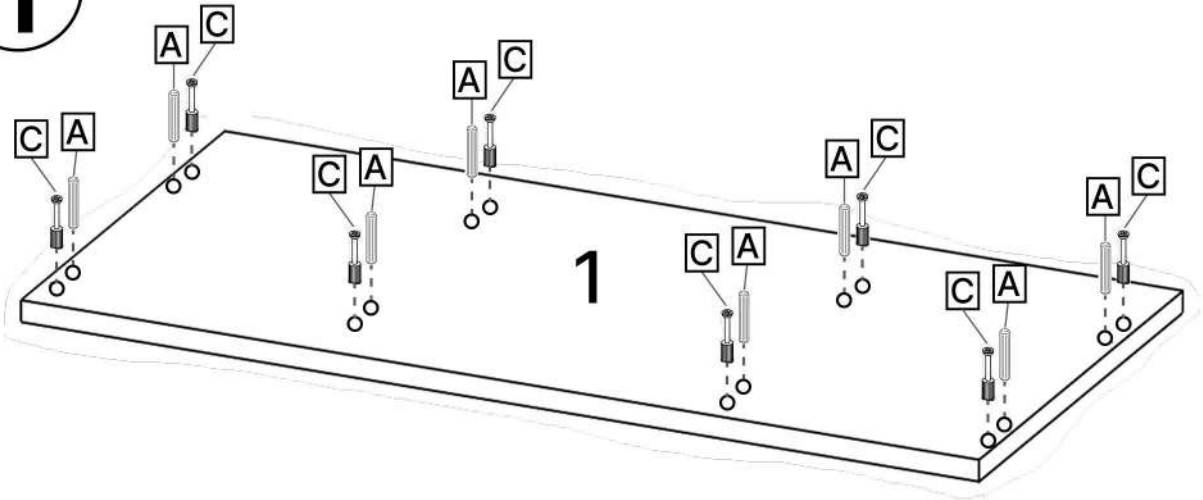




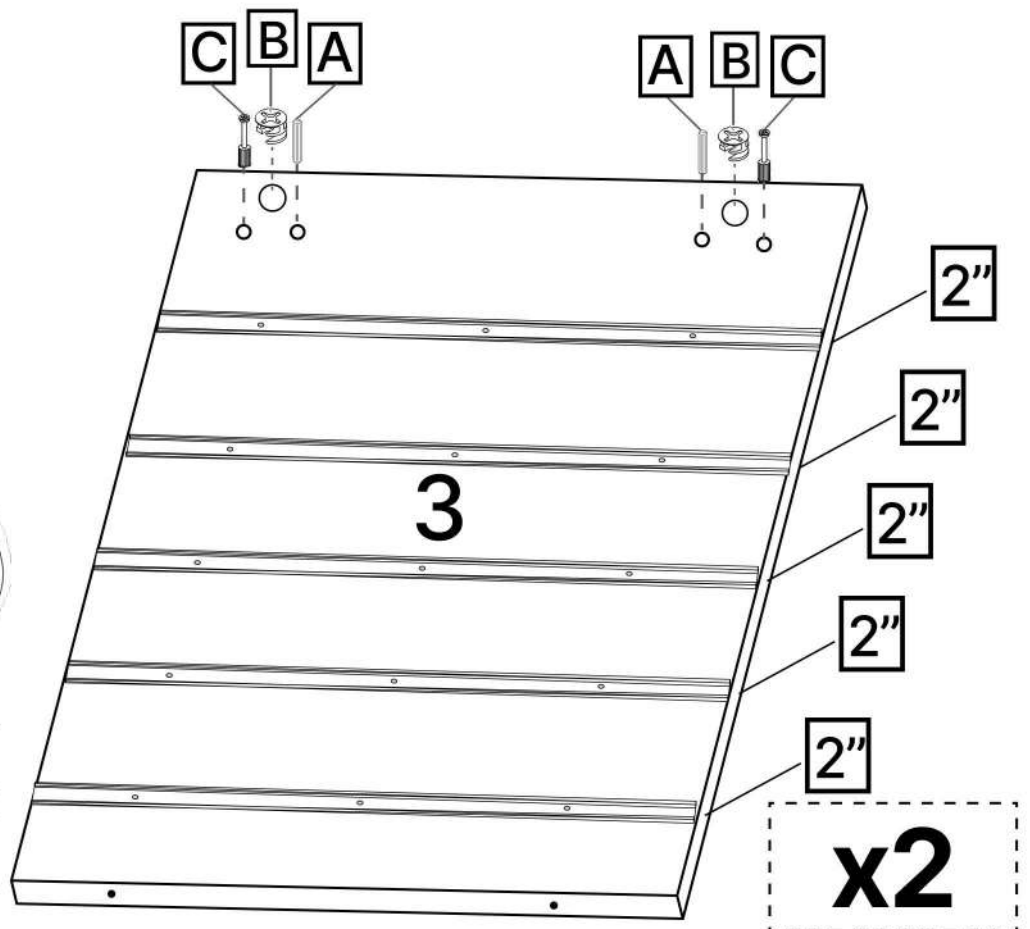
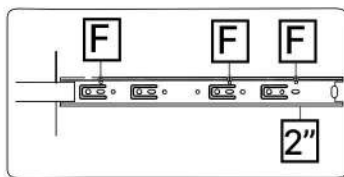
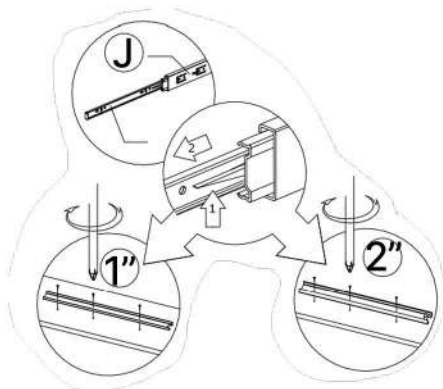
| No | Denumire                          | Dimensiuni | Buc |
|----|-----------------------------------|------------|-----|
| 1  | Placă superioară                  | 1404x600   | 1   |
| 2  | Placa inferioara                  | 570x400    | 2   |
| 3  | Perete leteral (comod cu sertare) | 672x570    | 2   |
| 4  | Perete leteral (comod cu usa)     | 672x570    | 2   |
| 5  | Placa corp                        | 368x100    | 4   |
| 6  | Polita fixă                       | 368x546    | 1   |
| 7  | Polita                            | 368x547    | 1   |
| 8  | Fața sertar (mare)                | 363x169    | 2   |
| 9  | Placa sertar (mare)               | 500x110    | 4   |
| 10 | Placa sertar (mare)               | 310x110    | 2   |
| 11 | Fața sertar (mic)                 | 363x99     | 3   |
| 12 | Placa sertar (mic)                | 500x65     | 6   |
| 13 | Placa sertar (mic)                | 310x65     | 3   |
| 14 | Ușa                               | 651x363    | 1   |
| 15 | Spate sertar (PFL)                | 506x340    | 5   |
| 16 | Spate corp (PFL)                  | 686x398    | 2   |



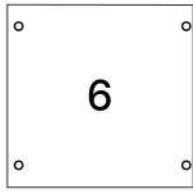
**1**



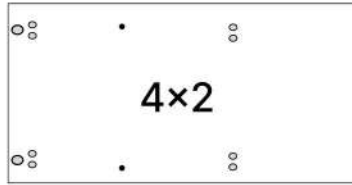
**2**



5x4



6



4x2



A x8

C x8

B x16



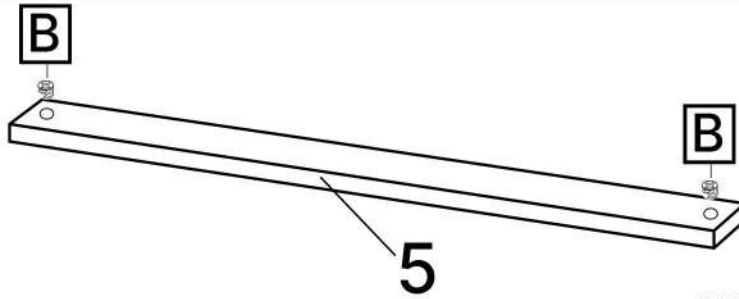
L x2



3.5x16mm

F x4

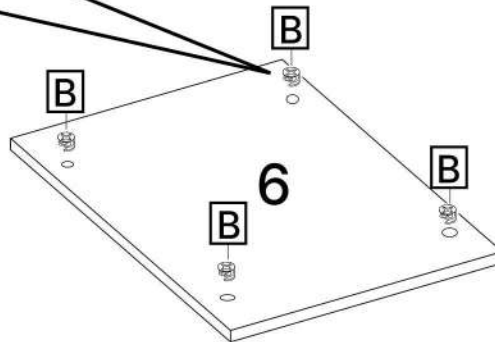
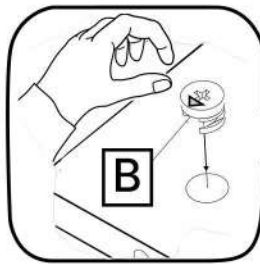
3



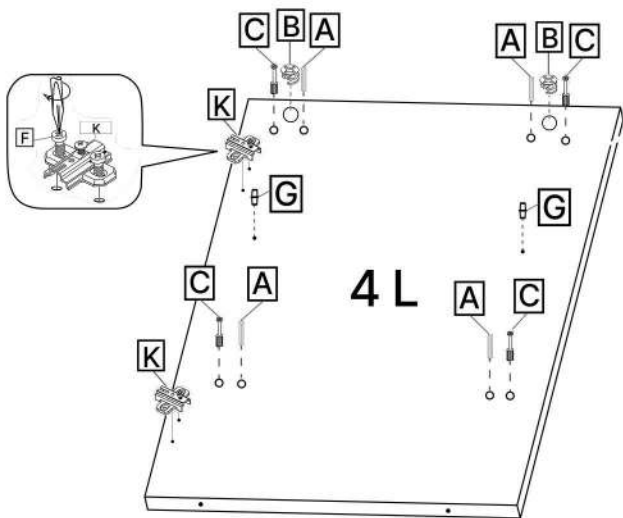
5

x4

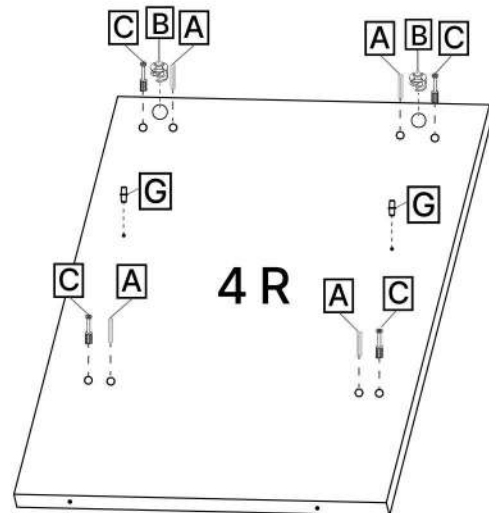
4



5

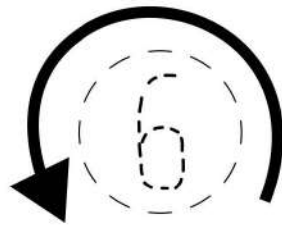
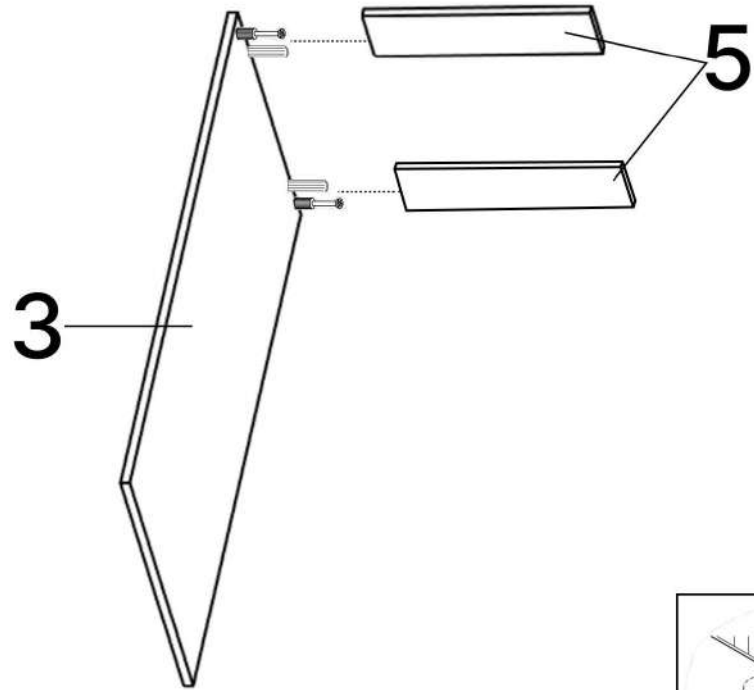


4 L

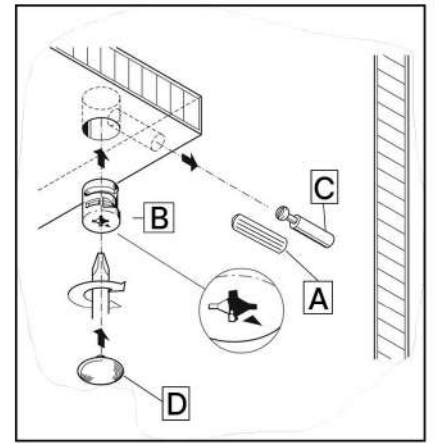
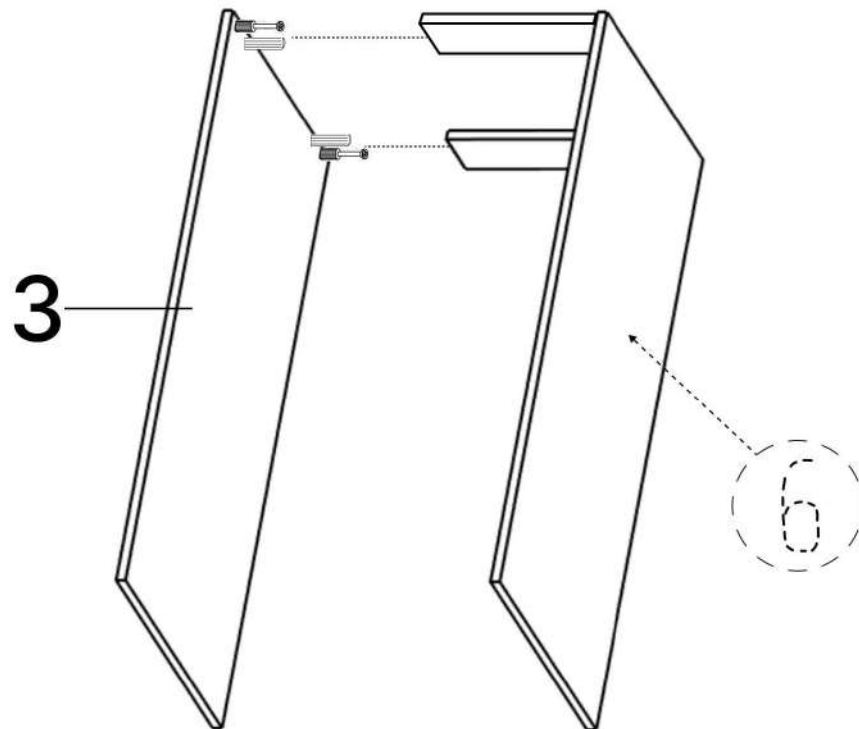


4 R

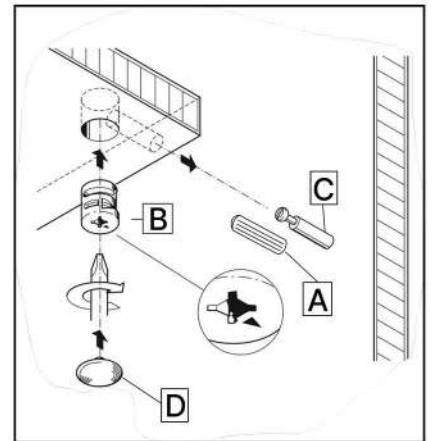
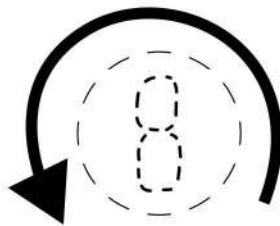
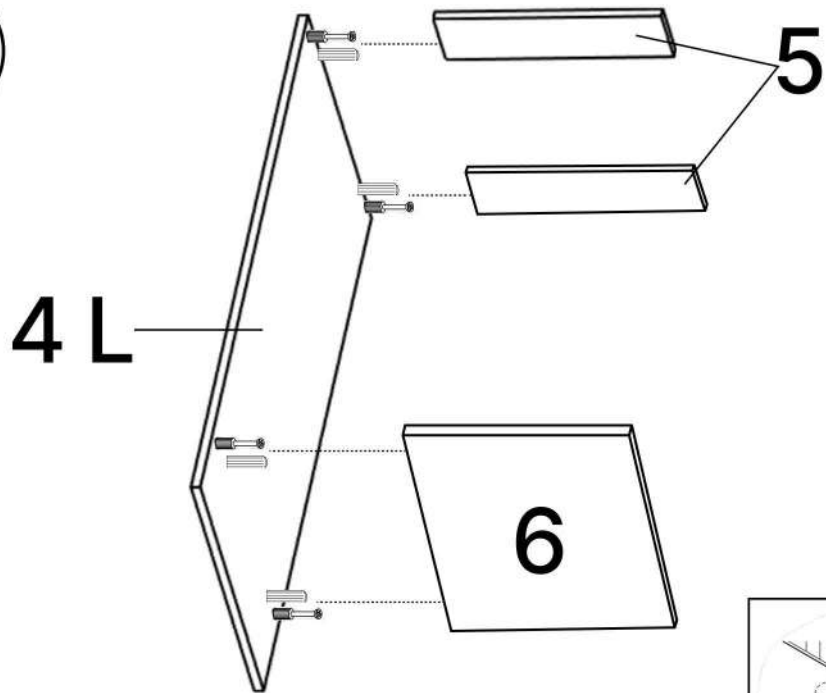
6



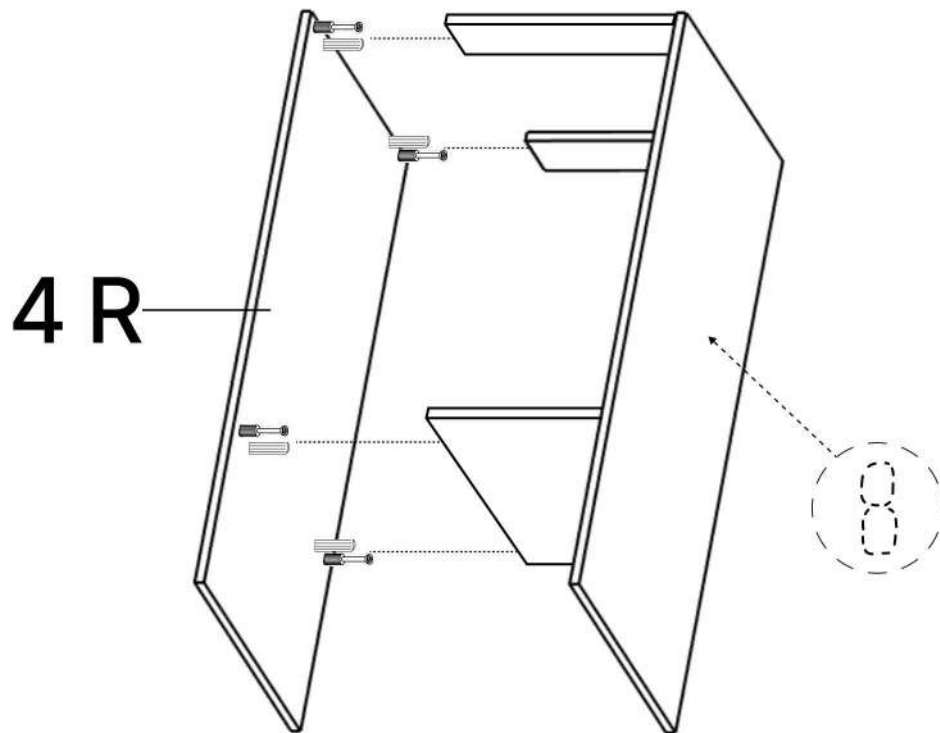
7



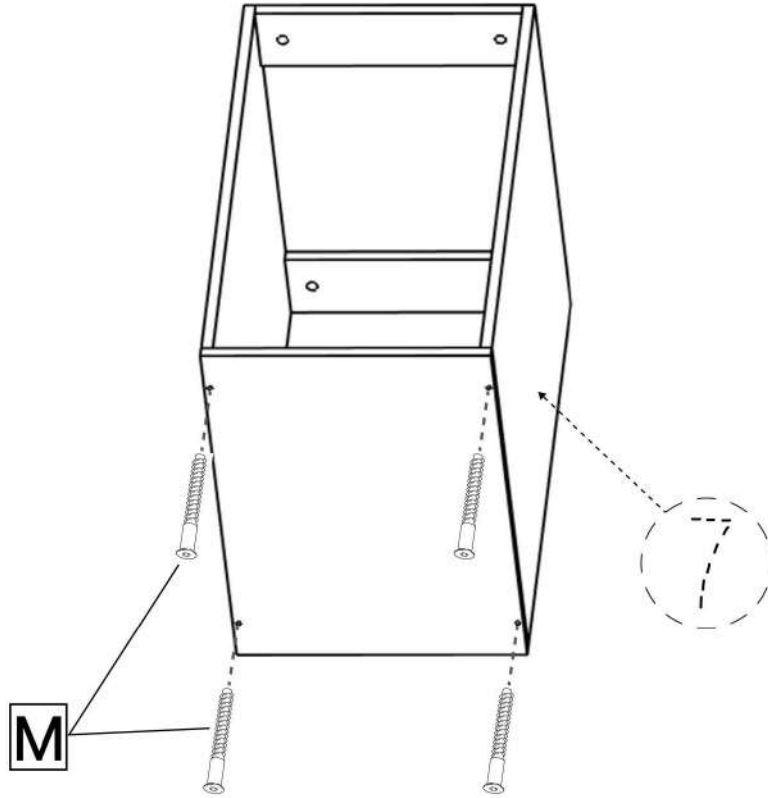
8



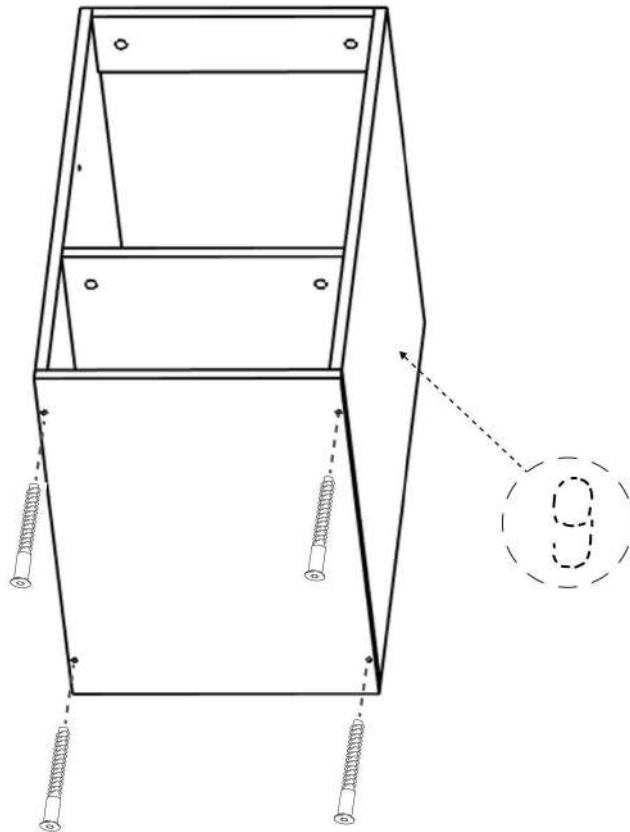
9



10



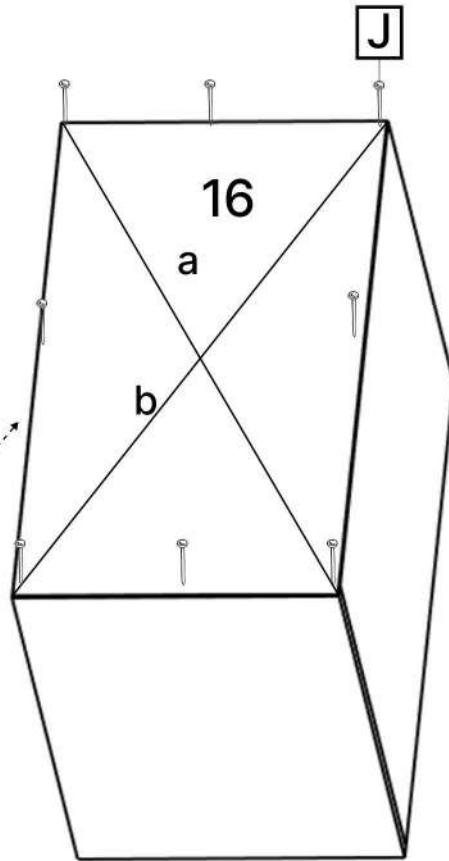
11



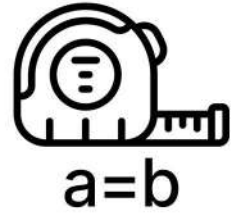
16x2



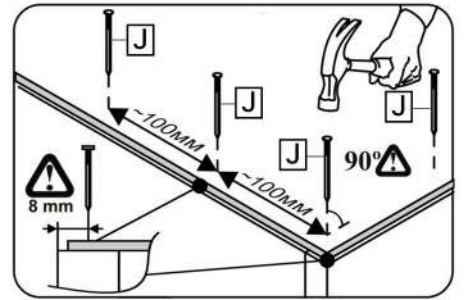
12



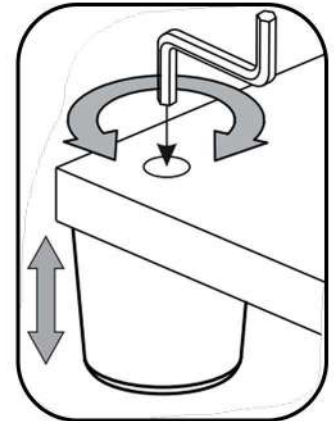
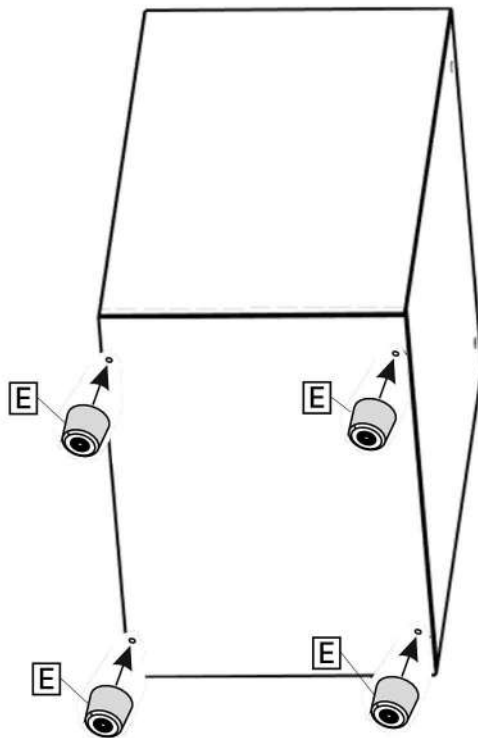
x2



10,11

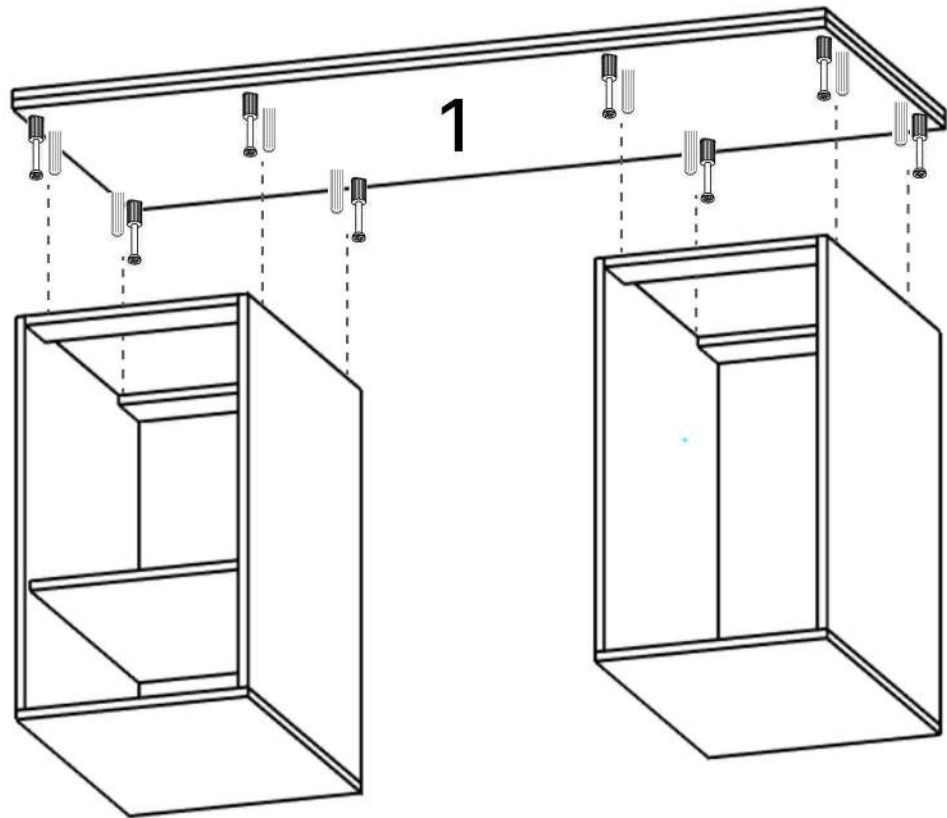


13

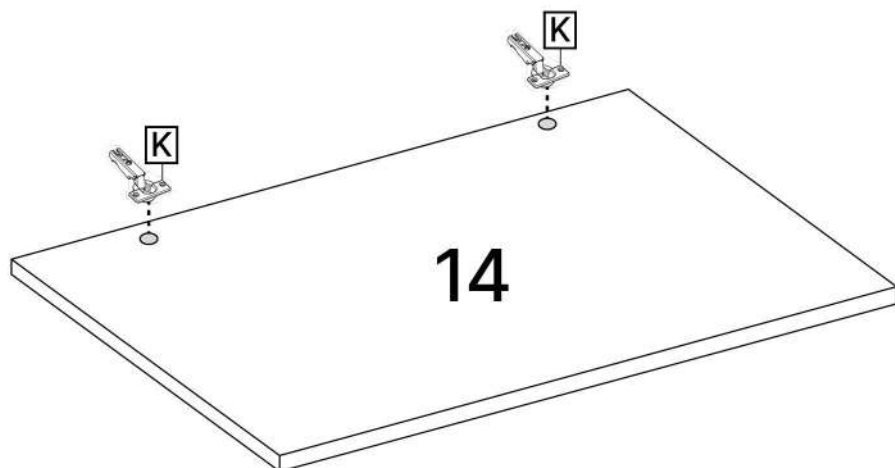
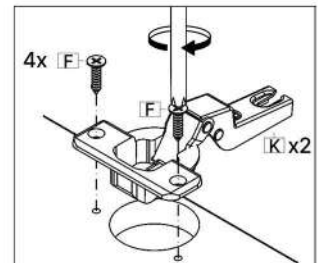


x2

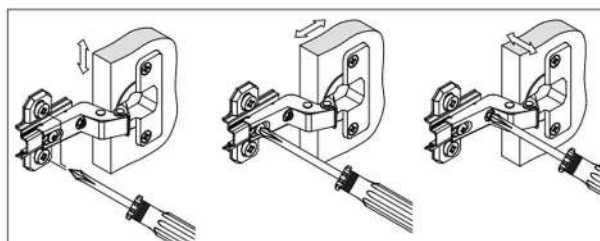
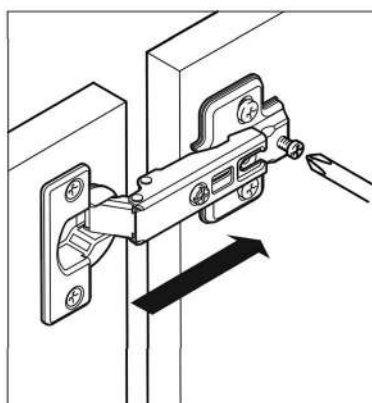
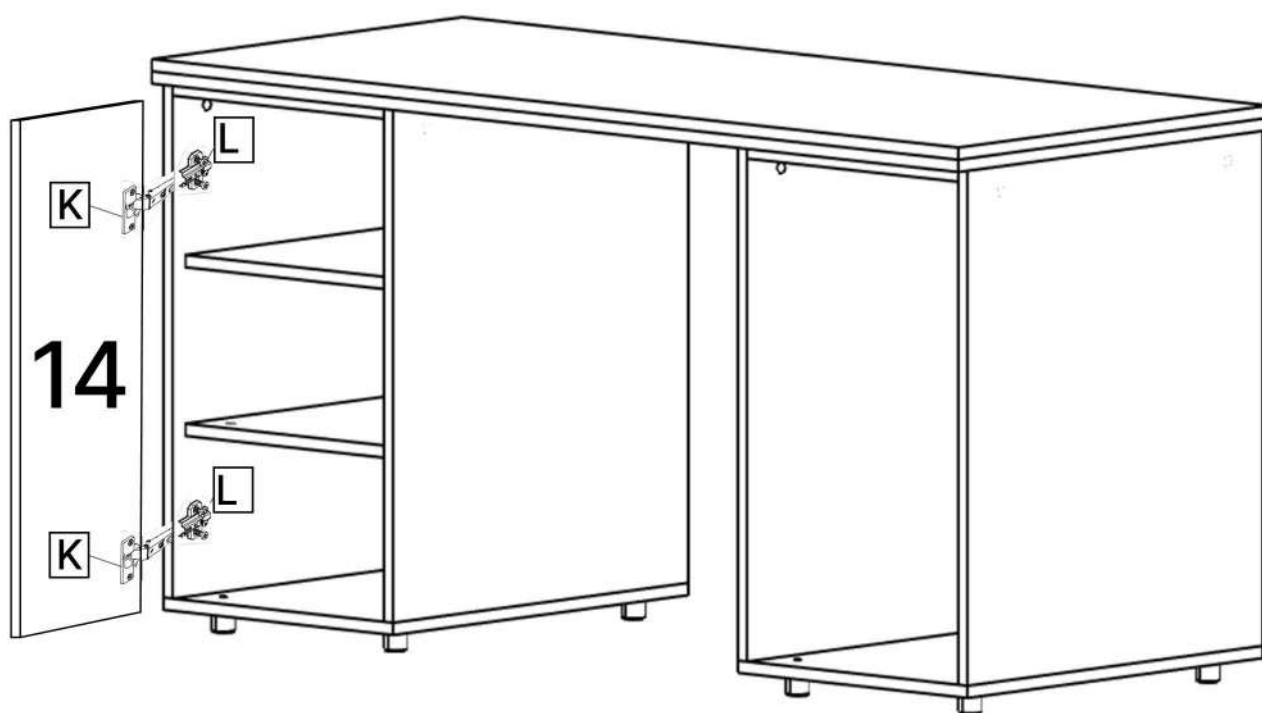
14



15



16



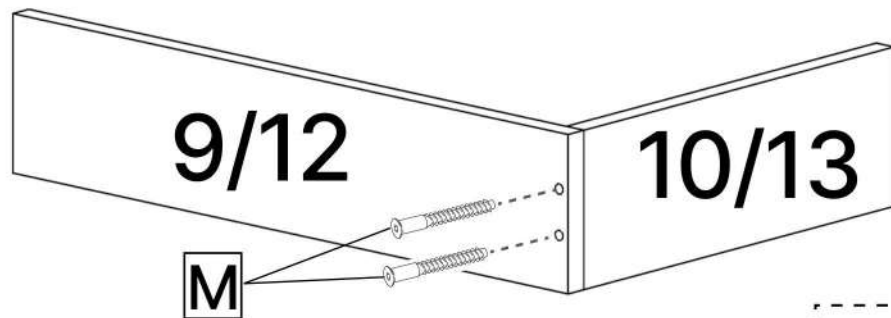
|        |       |
|--------|-------|
|        | 10/13 |
| ◦<br>◦ | 9/12  |

6.3\*50mm

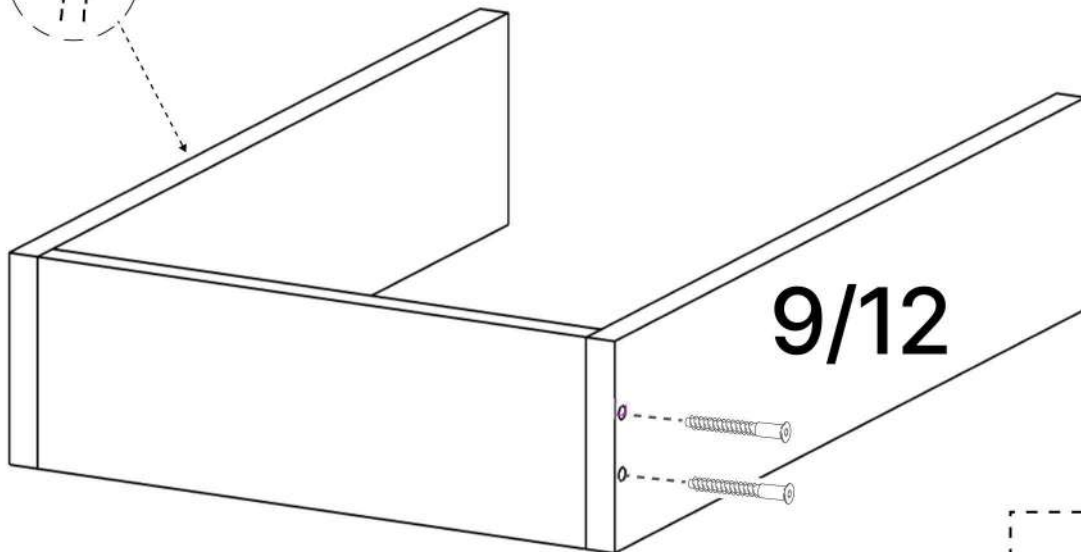


M x20

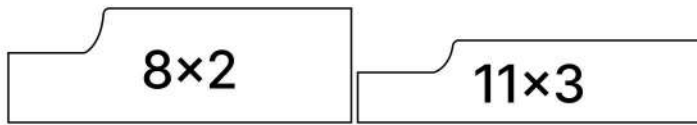
**17**



**x5**

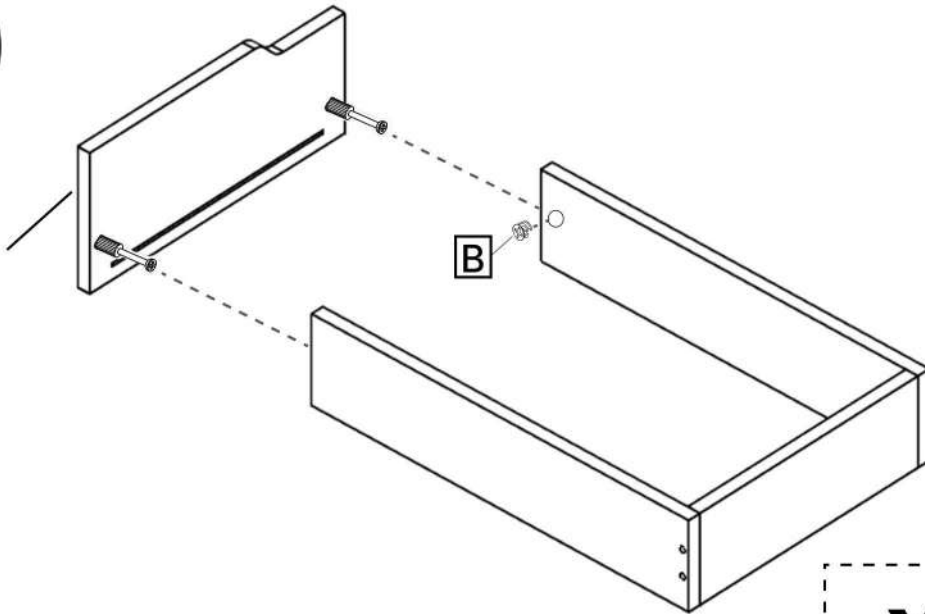


**x5**

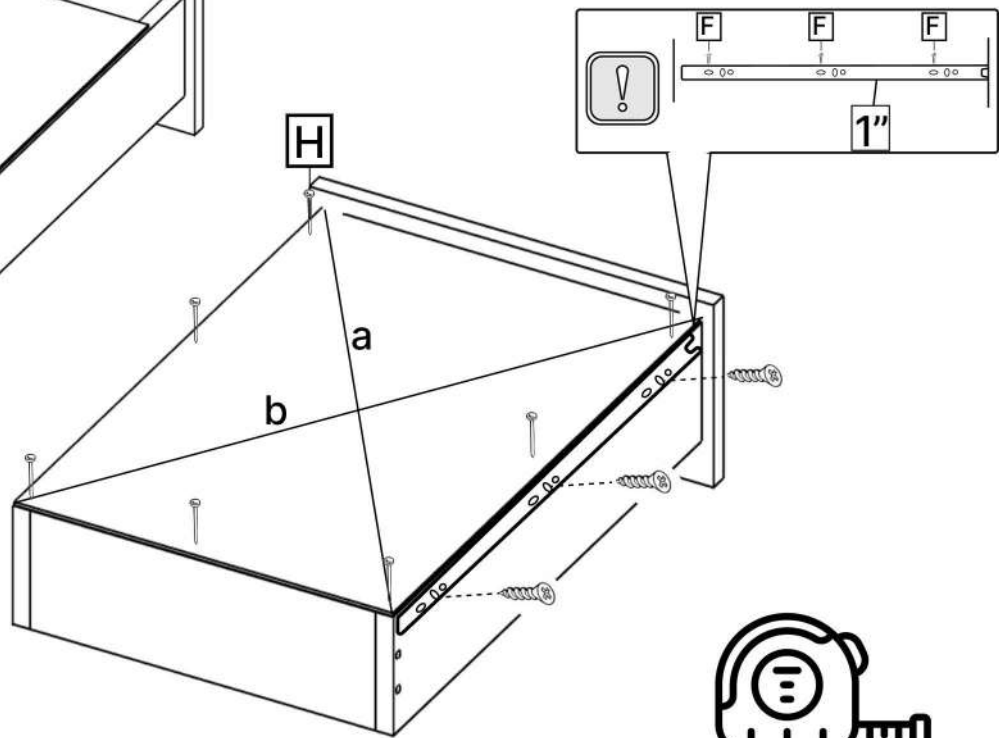
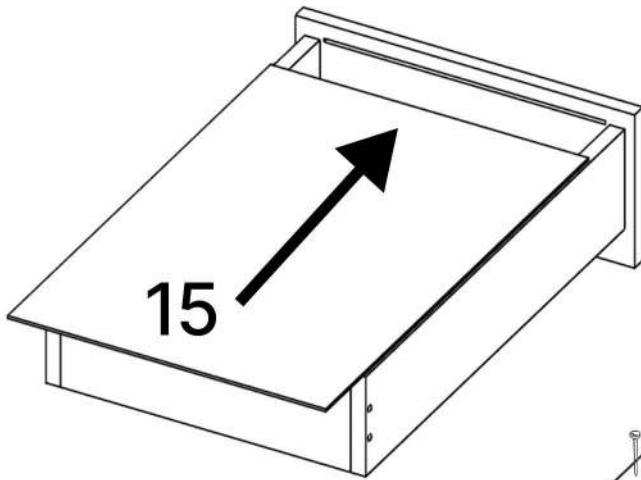


18

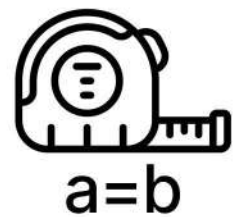
8/11



x5



x5



19

